

PRODUCT ID: 3040

Switch

MODEL

SG2 SPST/120VAC

DIMENSIONS

4.5" H x 2.75" W x 1" D (est. 1 lbs)

CONSTRUCTION

Finish: Switch plate brushed stainless steel

Switch: Switch with pre-wired pigtails and indicator lights

Switch plate: Stamped stainless steel pre-punched for switch(es) and indicator light(s)

ELECTRICAL

Input Voltage: 120VAC

Signal-Tech

4985 Pittsburgh Ave.

Erie, PA 16509

Phone: (877) 547-9900

Fax: (814) 835-2300

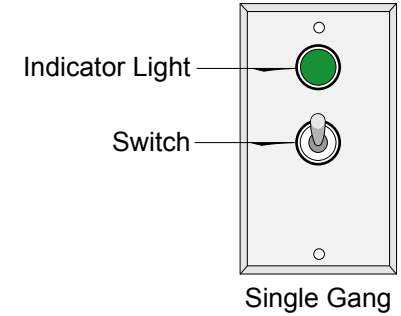
Email: sales@signal-tech.com

Website: www.signal-tech.com

Product View

NOTE: Sign image may not exactly represent the finished product. For illustration purposes only.

Front View



Schematic View

