

# ENFORCER®

## SK-3133-PPQ

### Heavy-Duty Outdoor Access Control Keypad with Proximity Reader



#### Features:

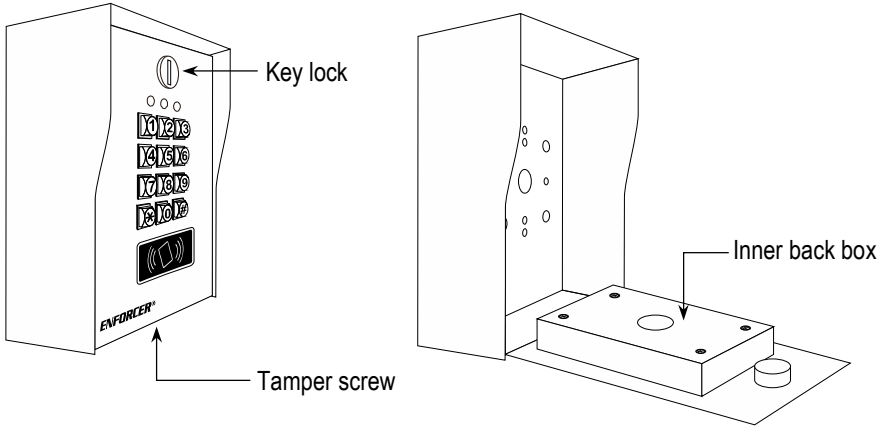
- Rugged construction – heavy-duty stainless steel faceplate with coated steel housing
- Built-in proximity card reader
- 12~24 VAC/VDC Operation, auto-adjusting
- IP66 Weatherproof rating
- Up to 1,000 user codes and/or proximity cards for output #1, 100 for output #2, and 100 for output #3
- Up to 50 temporary visitor codes
- Up to 50 duress codes for output #1, 10 for output #2, and 10 for output #3
- Egress input lets users exit the premises without keying in the code
- Door sensor input for anti-tailgating operation
- Vandal resistant, suitable for wall, post, or gooseneck mounting

# ENFORCER Heavy-Duty Outdoor Access Control Keypad with Proximity Reader

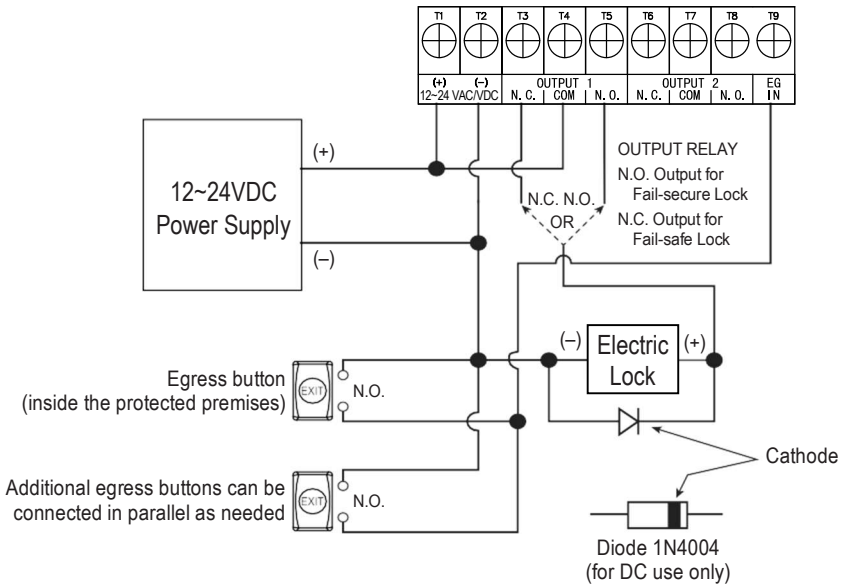
## Quick Installation Guide:

This page is for installers looking to do a basic installation and programming of the keypad. For more in-depth installation and programming instructions, see the Table of Contents on pg. 4.

## Mounting Diagram:



## Quick Wiring Diagram:



## Quick Programming Guide:

This page is for installers looking to do a basic installation and programming of the keypad. For more in-depth installation and programming instructions, see the Table of Contents, pg. 4.

### Programming Tips:

- **The master programming, super user, common user, visitor, duress, and user codes cannot be the same.**
- A flashing amber LED indicates the keypad is in standby mode. A solid amber LED indicates the keypad is in programming mode.
- If the keypad is set for **Auto Entry Mode**, **your codes will need to be the same number of digits as the master programming code** (see pgs. 28~29).

### Programming Instructions:

Follow the instructions below if the following covers your needs:

- A new master programming code.
- A single 4-digit user code for all users, and no proximity cards.
- One output to unlock a door.
- A 3-second delay time in opening the door after the output is activated.

1. Turn off the beeping before the 1-minute power-up period ends:

2. Enter Programming Mode:

**NOTE:**     is the default master programming code.

3. Change the master programming code:

**NOTE:**     is the new master programming code.

4. Set the user code to operate output #1 (unlock the door):

**NOTE:**    chooses user ID #000 of 1,000 possible users (000~999).

is the new user code for user ID #000.

5. Set the output #1 delay time (skip this step if the default value of 5 seconds is acceptable):

**NOTE:**  sets the output #1 delay time for 3 seconds.

6. Exit Programming Mode:

**Table of Contents:**

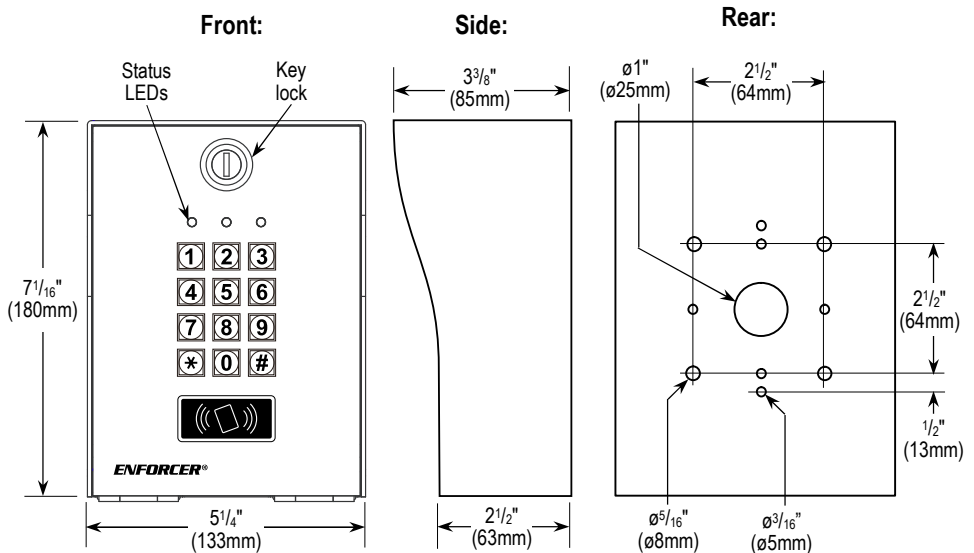
Quick Installation Guide:.....	2
Mounting Diagram: .....	2
Quick Wiring Diagram:.....	2
Quick Programming Guide: .....	3
Table of Contents: .....	4
Features: .....	5
Overview:.....	5
Parts List:.....	6
Specifications: .....	6
LED Indicators and Keypad Sounds:.....	7
IMPORTANT NOTES: .....	7
Installation: .....	8
Wiring Diagram:.....	9
Sample Applications: .....	10-11
Sample Applications for Auxiliary Terminals: .....	11-13
Getting Ready to Program:.....	13-15
System Restore: .....	15
Programming Format and Default Programming Values:.....	16
Programming the Master Programming Code:.....	17
Programming the Super User Code: .....	17-19
Programming Common User Codes: .....	19
Programming User Codes and Proximity Cards:.....	20-21
Programming Visitor Codes for Output #1:.....	22
Programming Duress Codes: .....	23-24
Programming the Output Mode and Output Timing:.....	25
Programming the Real-Time Clock: .....	26
Programming the Output #1 Auto-Disable Time:.....	26-27
Programming the Wrong-Code System Lock-Up: .....	28
Programming the User Code Entry Mode: .....	28-29
Programming the Keypad Sounds:.....	29
Programming the Output Relay Activation Sounds: .....	29
Programming the Amber LED Flashing During Standby Mode: .....	29
Programming the Door-Forced-Open Warning and Timing:.....	30
Programming the Door-Propped-Open Warning and Delay Time: .....	30-31
Programming the Door Open Alarm and Timing: .....	31
Programming the Egress Delay/Warning/Alarm:.....	31-33
Direct Access to Programming: .....	33
User's Guide to Operating the SK-3133-PPQ: .....	34
Installation Notes: .....	35
Troubleshooting:.....	36
Also Available from <b>SECO-LARM®</b> :.....	36

# ENFORCER Heavy-Duty Outdoor Access Control Keypad with Proximity Reader

## Features:

- Rugged construction – heavy-duty stainless steel faceplate with coated steel housing
- Built-in proximity card reader
- 12~24 VAC/VDC Operation, auto-adjusting
- Up to 1,000 possible user codes (000~999) and/or proximity cards programmable for output #1, 100 (001~100) for output #2, and 100 (001~100) for output #3
- Up to 50 (01~50) possible temporary visitor codes, which can be programmed for one-time or limited-time use (1~99 hours)
- Output #1: Form C relay, 5A@24VDC max.
- Output #2: Form C relay, 1A@24VDC max.
- Output #3: Form C relay, 1A@24VDC max.
- Outputs #1, #2, and #3 can be programmed to activate for up to 99,999 seconds (nearly 28 hours)
- Tamper output: N.C. Dry contact, 50mA@24VDC max.
- Keypad active or alarm output selectable via jumper
- Keypad illuminates when a button is pressed; backlight can be programmed for FULL or AUTO in standby mode
- IP66 Weatherproof rating
- All features are programmed directly from the keypad: No need for an external programmer
- EEPROM Memory protects programmed information in case of power loss
- Up to 50 (01~50) duress codes for output #1, 10 (01~10) for output #2, and 10 (01~10) for output #3
- Duress code signals a silent alarm if an authorized user is forced to open the door under duress
- Egress input lets users exit the premises without keying in the code
- Door sensor input for anti-tailgating operation
- Interlocking input for connecting to a second keypad
- Vandal resistant, suitable for wall, post, or gooseneck mounting

## Overview:



# ENFORCER Heavy-Duty Outdoor Access Control Keypad with Proximity Reader

## Parts List:

1x Keypad with steel box	2x Keys*	1x Security wrench
4x Mounting screws	4x Mounting screw anchors	1x Diode
1x Mounting template	1x Manual	

\*No replacement keys available. Please make extra copies for safekeeping.

## Specifications:

Operating voltage		12-24 VAC/VDC
Current draw (at 12VDC)	Standby	55mA
	Keypress	90mA
	Output 1 active	105mA
	Output 1 & 2 active	130mA
	Output 1, 2, & 3 active	150mA
	Total max. current draw	220mA
Outputs	#1 – Form C	5A@24VDC
	#2 – Form C	1A@24VDC
	#3 – Form C	1A@24VDC
	K or A	100mA@24VDC
	Duress	100mA@24VDC
	Interlock	100mA@24VDC
	Tamper	50mA@24VDC
Inputs	Egress	N.O. Ground
	Door sensor	N.C. Ground
	Door inhibit	N.O. Ground
Proximity reader frequency		125kHz (EM125)
Proximity reader sensing distance		1 <sup>1</sup> / <sub>2</sub> " (38mm)
IP Rating		IP66
Operating humidity		5-95% Non-condensing
Operating temperature		-4°~158° F (-20°~70° C)
Material	Faceplate	1 <sup>1</sup> / <sub>16</sub> " (1.5mm) Stainless steel
	Housing	5 <sup>5</sup> / <sub>64</sub> " (2mm) Anodized steel, powder paint
Dimensions		5 <sup>1</sup> / <sub>4</sub> "x7 <sup>1</sup> / <sub>16</sub> "x3 <sup>3</sup> / <sub>8</sub> " (133x180x85 mm)
Weight		3-lb 12-oz (1.7kg)

## LED Indicators and Keypad Sounds:

### LED Indicators

	Red LED (left)	Amber LED (center)	Green/Red LED (right)
<b>Steady</b>	Output #1 inhibited	Programming mode	Output #1 activated (green) Output #2 activated (red)
<b>Flashing</b>	Inhibit mode paused	Standby mode	

### Keypad Sounds and LEDs



Status	Sounds*	Amber LED (center)
In programming mode	–	Steady ON
Successful key entry	1 Beep	1 Flash
Successful code/card entry	2 Beeps	2 Flashes
Unsuccessful code/card entry	5 Beeps	5 Flashes
Power up delay	Continuous beeping	Continuous flashing
Output relay activation**	1sec long beep	–
In standby mode***	–	1 Flash/sec
System restore mode	2 Beeps	Fast flashing for 2.5 min
Card/code already stored	1 Long beep	–
Real-time clock stopped after power loss	Continuous 3 fast beeps every 5 seconds	–

\*Keypad sounds can be programmed ON or OFF (see pg. 29)

\*\*Output relay activation sounds can be programmed for 1 second long beep, 2 short beeps, or OFF (see pg. 29)

\*\*\*Amber LED flashing during standby mode can be programmed ON or OFF (see pg. 29)

## IMPORTANT NOTES:

	<p><b>IF USING THE KEYPAD WITH A MECHANICALLY OPERATED DOOR OR GATE, MOUNT THE KEYPAD AT LEAST 15' (5m) FROM THE DOOR OR GATE TO PREVENT USERS FROM BEING CRUSHED OR PINNED. FAILURE TO DO SO MAY RESULT IN SERIOUS INJURY OR DEATH.</b></p>	
--	--	---

1. Always disconnect power before servicing the keypad. Do not apply power until all connection wiring is completed.
2. The keypad must be properly grounded. Use a minimum 22AWG wire connected to the common ground output. Failure to do so may damage the keypad.
3. Allow at least 2ft (60cm) between this and any other keypads to avoid interference.
4. All wiring and programming should be done by a professional installer to reduce the risk of improper installation.
5. The user's guide for this keypad is located on pg. 34 of this manual.
6. Be sure to store this manual in a safe place for future reference.

# ENFORCER Heavy-Duty Outdoor Access Control Keypad with Proximity Reader

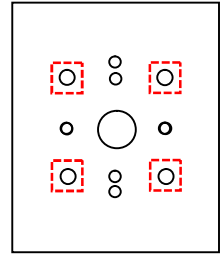
## Installation:

1. Unlock the keylock mounted on the face of the keypad with one of the included keys.
2. Remove the tamper screw from the bottom of the keypad with the included security wrench.
3. Open the faceplate of the keypad. The hinge will allow the faceplate to hang open during installation.
4. Remove the 1" wiring hole cover from the back of the keypad housing.
5. Install the keypad using the included mounting screws and mounting screw anchors (if necessary).

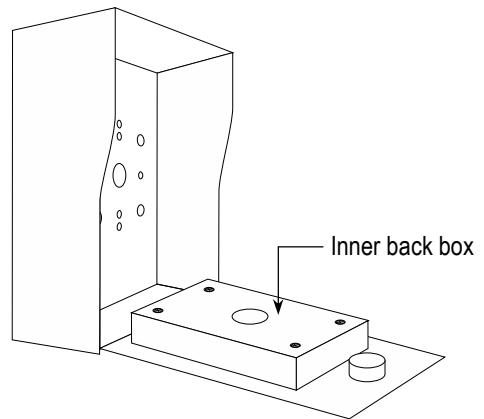
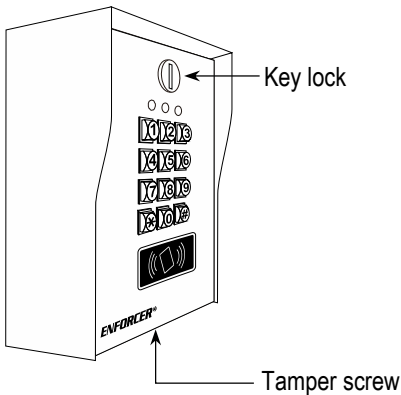
**NOTE:** If attaching the keypad to a mounting plate, such as a gooseneck stand, use the 4 mounting plate holes located on the back of the keypad housing (see Fig. 1).

6. Remove the inner plastic back box to access the terminals.
7. Connect the wires to the keypad according to the wiring diagram (see "Wiring Diagram," pg. 9).
8. Finish assembly by replacing the inner back box, closing and locking the keypad, and replacing the tamper screw.

Fig. 1



These holes are used to mount the keypad to a gooseneck stand.



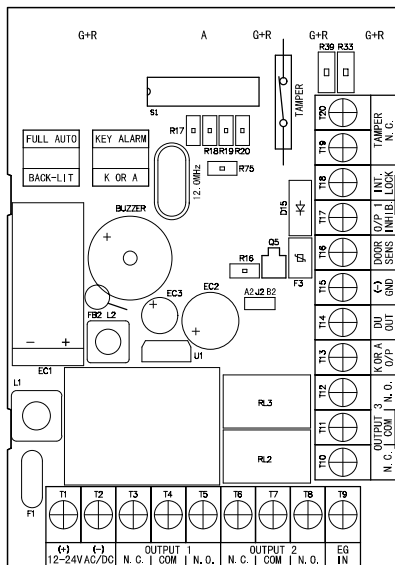


# ENFORCER Heavy-Duty Outdoor Access Control Keypad with Proximity Reader

## Wiring Diagram:

### Connection Terminals

Terminal	Description
12~24 VAC/VDC	Connect to a 12~24 VAC/VDC power supply. <b>Observe polarity.</b>
Output 1 N.C.	NO/NC/COM relay output, Max. 5A@24VDC
Output 1 COM	
Output 1 N.O.	
Output 2 N.C.	NO/NC/COM relay output, Max. 1A@24VDC
Output 2 COM	
Output 2 N.O.	
Egress Input	N.O. Pushbutton contact to ground. Press button to activate Output #1
Output 3 N.C.	NO/NC/COM relay output, Max. 1A@24VDC
Output 3 COM	
Output 3 N.O.	
K or A output	Transistor ground output, max. 100mA@24VDC. See "K or A" jumper information below for programming details.
Duress output	Transistor ground output, max. 100mA@24VDC. Switches to ground (-) to trigger a silent alarm or other device when a user enters a duress code.
Ground (-)	Common ground output.
Door Sensor	Connect to an optional N.C. sensor such as a magnetic contact to monitor if a door is open or closed. Connect to ground (-) if not used.
Output 1 inhibit	Output #1 inhibitor. N.O. input, connect to Interlock Control of second keypad if needed so that if one keypad is used to open a door, the other is temporarily disabled.
Interlock Control	Interlock control. N.O. input, connect to Output 1 Inhibit of second keypad if needed so that if one keypad is used to open a door, the other is temporarily disabled.
Tamper N.C.	Tamper switch output, N.C. contact, max. 50mA@24VDC. Connect to the N.C. 24-hour protection zone of an alarm if needed.



### Jumper Settings

Jumper	Position	Description
Backlit	Full	Dim backlit during standby. Full backlit for 10 seconds after any button press.
	Auto	No backlit during standby. Full backlit for 10 seconds after any button press.
K or A	K	Switches to ground (-) for 10 seconds after any button press.
	A	Switches to ground (-) when alarm occurs to trigger optional auxiliary alarm.

### Jumper Positions

Backlit – Full



Backlit – Auto



K or A – Keypress



K or A – Alarm

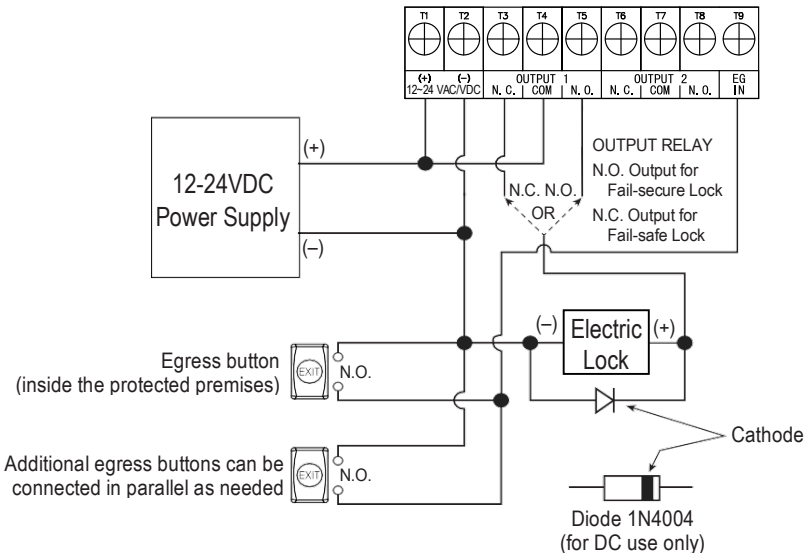


# ENFORCER Heavy-Duty Outdoor Access Control Keypad with Proximity Reader

## Sample Applications:

### Stand-Alone Door Lock:

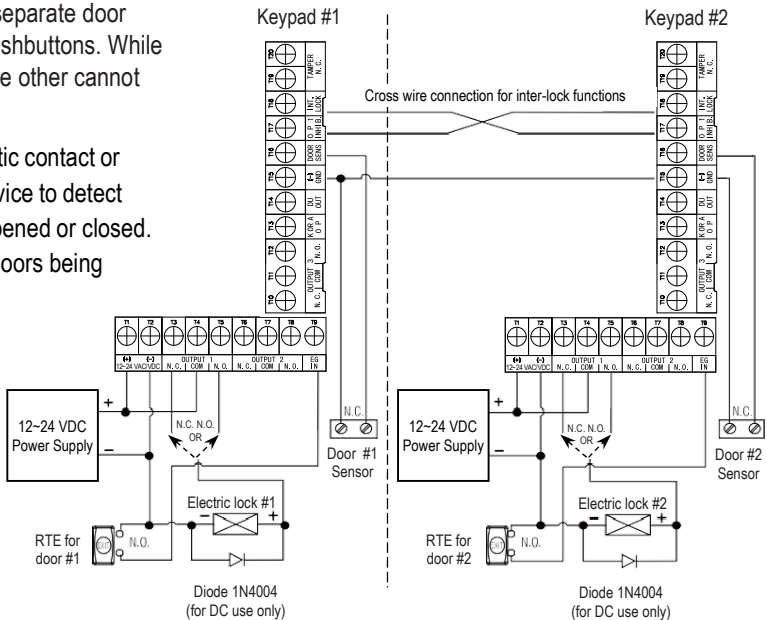
In this application, the keypad is connected to a single door lock and an egress pushbutton.



### Inter-Lock System Using Two Keypads:

In this application, two keypads are each connected to separate door locks and egress pushbuttons. While one door is open, the other cannot be opened.

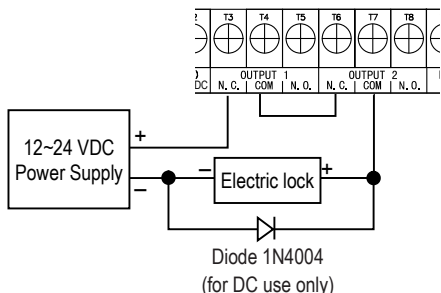
Use an N.C. magnetic contact or some other N.C. device to detect whether a door is opened or closed. Do this for the two doors being protected.



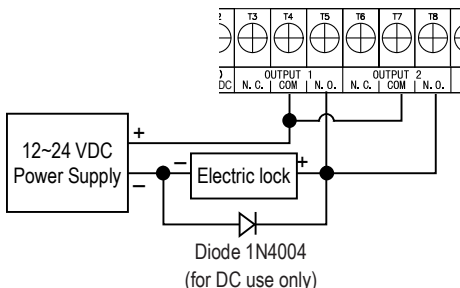
**Sample Applications (Continued):**

**Door-Hold-Open Mode:**

1. For N.C. locking devices, connect outputs in series with working device.



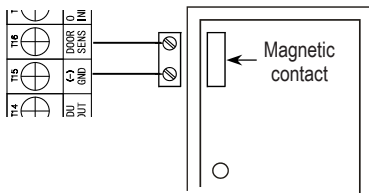
2. For N.O. locking devices, connect outputs in parallel with locking device



**Sample Applications for Auxiliary Terminals:**

**Door Sensor:**

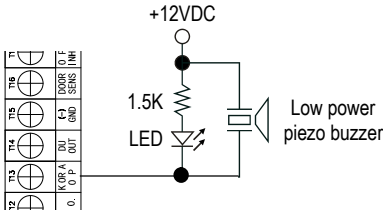
Use a Normally Closed door position sensor (usually a magnetic contact) on the door to enable the use of the following functions:



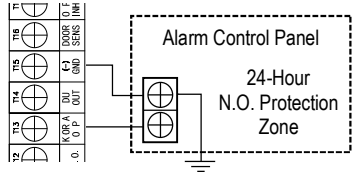
- **Door Auto Relock** – The system will immediately relock the door after the door is closed. This prevents unwanted "tailgate" entries, which can happen if an unauthorized person tries to follow an authorized person through the door.
- **Interlock Control** – When the door is open, the Interlock Output will give a (-) ground command to disable the other keypad in an interlock system
- **Door-Forced-Open Warning** – The keypad will beep and activate the alarm output whenever the door is forced open without using a valid user code, card, or egress input (see "Programming the Door-Forced-Open Warning and Timing," pg. 30).
- **Door-Propped-Open Warning** – The keypad will beep whenever the door is open longer than the programmed time (see "Programming the Door-Propped-Open Warning and Timing," pgs. 30~31).
- **Door Open Alarm** – The keypad will beep and activate the alarm output whenever the door is opened without using a valid user code or card (see "Programming the Door Open Alarm and Timing," pg. 31).

**Sample Applications for Auxiliary Terminals (Continued):**

**Alarm Output:**



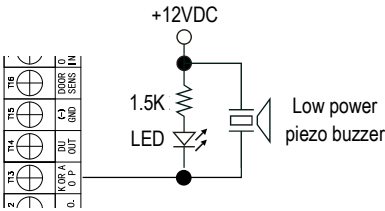
OR



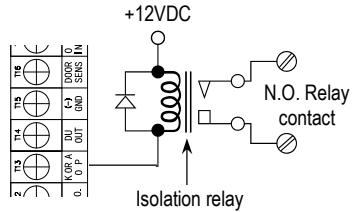
Set the K or A jumper to "A" (see "Jumper Settings," pg. 9) to cause the Alarm Output to switch to (-) ground in Door-Forced-Open or the Door Open after Egress Delay. You may use it to turn on an LED lamp and/ or a small buzzer to notify a guard; or connect it to a 24-hour Normally Open protection zone of an alarm system. See "Programming the Door-Forced-Open Warning and Timing," pg. 30 and "Programming the Door Open Alarm and Timing," pg. 31.

**NOTE:** Only one connection option is recommended. Make sure that the sink current does not exceed the maximum rating of 100mA.

**Key Active Output:**



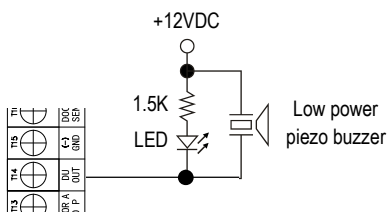
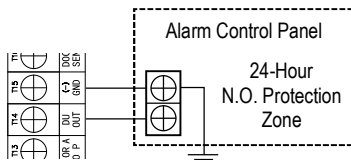
OR



Set the K or A jumper to "K" (see "Jumper Settings," pg. 9) to cause the Key Active Output to switch to (-) ground for 10 seconds whenever a key is touched. You may use it to turn on an LED lamp and for a small buzzer to notify a guard, or to energize a relay to switch on lights or trigger a CCTV Camera to start recording.

**NOTES:**

- Make sure that the relay for switching on lights has high enough isolation between high voltage and low voltage to prevent damage of the keypad.
- Only one connection option is recommended. Make sure the sink current does not exceed the maximum rating of 100mA.
- External power supply and isolation relay are strictly necessary in driving high power device, such as lights.

**Sample Applications for Auxiliary Terminals (Continued):****Duress Output:****OR**

The Duress Output switches to (-) ground when a duress code is entered. You may use it to turn on an LED lamp and/ or a small buzzer to notify a guard; or connect it to a 24 hour Normally Open protection zone of an alarm system.

**NOTE:** Only one connection option is recommended. Make sure that the sink current does not exceed the maximum rating of 100mA.

**Getting Ready to Program:****Codes and/or Cards:**

The keypad can be set to be activated by users in one of three ways:

1. Keypad code only – There are five types of keypad codes:
  - Master programming code – Used only for entering programming mode; there can be only one master programming code per keypad.
  - Super user code – Can be used to activate outputs #1, #2, and #3 to disable (inhibit) or enable the operation of the outputs.
  - User codes – Unique codes for each user to activate outputs #1, #2, or #3.
  - Visitor codes – Temporary user codes that can be assigned to visitors or temporary workers to activate output #1; the visitor codes can be programmed for one-time use or to expire after a set number of hours has passed.
  - Duress codes – Assigned to specific users as a way to send a silent alert if forced to use the keypad under duress.
2. Proximity card only – Standard 125kHz (EM125) proximity cards can be used to activate outputs #1, #2, or #3.
3. Card + code – For enhanced security, the user can be required to also enter a code after tapping a proximity card. The code may be unique to each card or to a group of users, or a common code can be used with all cards.

## Getting Ready to Program (Continued):

### Security Levels:

There are four possible security levels for the keypad:

1. Card only – The most basic, convenient level of security. Hold a previously-programmed proximity card over the keypad to activate outputs #1, #2, or #3 (see "Programming User Codes and Proximity Cards," pgs. 20~21).
2. User code only – Type in a 4- to 8-digit user code to activate outputs #1, #2, or #3 (see pgs. 20~21).
3. Card + common user code – All valid proximity cards can be programmed with a single common user code so that outputs #1, #2, or #3 can only be activated if one of the cards and the common user code are used together. The common user code is automatically assigned when each proximity card is programmed into the keypad (see "Programming Common User Codes," pg. 19).
4. Card + unique user code – The most secure level. Each proximity card can be programmed with its own unique user code so that outputs #1, #2, or #3 can only be activated if the card and the unique code are used together (see pgs. 20~21).

### Power Up the Keypad:

When the keypad is first powered up, it will beep continuously for about 1 minute. During this power-up time, if needed, use Direct Access to Programming (DAP) to reset the master programming code (see "Direct Access to Programming (DAP)," pg. 33).

1. Turn off the beeping before the 1-minute power-up period ends:



This will immediately stop the beeping. When the beeping has ended, the keypad is ready for normal operation or for programming.

### Enter and Exit Programming Mode:

All programming of the keypad is done in programming mode.

1. Enter programming mode:



**NOTE:** is the master programming code. is the default master programming code (see "Programming the Master Programming Code," pg. 17 to program a new master programming code). The amber LED will turn to a steady ON to indicate that the keypad is in programming mode.

## **Getting Ready to Program (Continued):**

- Exit programming mode:



The entry can be used to exit programming mode at any time while programming. The amber LED will return to flashing, indicating standby mode, upon exiting programming mode.

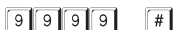
**NOTE: DO NOT DISCONNECT THE KEYPAD FROM POWER WHILE IN PROGRAMMING MODE.** Disconnecting the keypad while in programming mode could cause a keypad memory error.

---

## **System Restore:**

System restore will reset all programming values except the master programming code back to default values shown on pg. 16.

- Make sure the keypad is in programming mode (see "Enter and Exit Programming Mode," pgs. 14~15):
- Initiate system restore:



### **NOTES:**

- System restore will reset ALL programming except the master programming code back to default values. Be careful to use system restore only when absolutely necessary.
- System restore may take several minutes. The amber LED will flash rapidly during this time.
- Once system restore has been completed, the keypad will beep twice to show that all programming values have been reset to their default values and are ready to be re-programmed.
- At this point, the keypad is still in programming mode.

**Programming Format and Default Programming Values:**

In this manual, the format used for programming the keypad is as follows:

- A 2-digit (   ) FUNCTION identifier to tell the keypad what is being programmed.
- A varying number of digits (  ) to represent the parameters of that FUNCTION.
- The  key to confirm programming of the FUNCTION.

The following is a list of the different programming functions:

Function	Parameters	Default Functions and Values	Page #
01	Master programming code	Default 0000, code length from 4-8 digits	17
02	Super user code	No default, must be programmed	17~19
03	Common user code for output #1	No default, must be programmed	19
04	Common user code for output #2	No default, must be programmed	19
05	Common user code for output #3	No default, must be programmed	19
10	User codes/cards for output #1	No default, must be programmed	20~21
20	User codes/cards for output #2	No default, must be programmed	20~21
30	User codes/cards for output #3	No default, must be programmed	20~21
40	Visitor codes for output #1	No default, must be programmed	22
41	Duress codes for output #1	No default, must be programmed	23~24
42	Duress codes for output #2	No default, must be programmed	23~24
43	Duress codes for output #3	No default, must be programmed	23~24
51	Output mode for output #1	5-Second output, momentary	25
52	Output mode for output #2	5-Second output, momentary	25
53	Output mode for output #3	5-Second output, momentary	25
55	System real-time clock	No default, must be programmed	26
56	Output #1 auto-disable time	No default, must be programmed	26~27
60	Wrong-code system lock-up	Locks keypad after 10 false code/card tries	28
70	User code entry mode	Manual entry of “#” after each code	28~29
71	Keypad sounds	Programming and operation beeps enabled	29
72	Output relay activation sounds	1-Second beep when output is activated	29
73	Amber LED standby flashing	Center LED flashes on standby	29
80	Door-forced-open warning	Warning disabled	30
81	Door-propped-open warning	Warning disabled	30~31
90	Egress delay/warning	Egress output happens immediately	31~33
91	Door open alarm and timing	Alarm output is disabled	31

**NOTE:** The Direct Access to Programming (DAP) code 2828 (pg. 33) and the system restore code 9999 (pg. 15) are fixed and cannot be changed, even via programming.



## Programming the Master Programming Code:

The master programming code is used to enter programming mode. The master programming code **does not** serve as a user code for activating outputs #1, #2, or #3.

1. Make sure the keypad is in programming mode (see "Enter and Exit Programming Mode," pgs. 14~15):
2. Enter the new master programming code:

### NOTES:

- represents the new master programming code, which can be 4 to 8 digits long.
- There can be **only one master programming code** for the keypad.
- Programming a new master programming code will overwrite the previous master programming code.
- **The master programming, super user, common user, visitor, duress, and user codes cannot** be the same.
- If the keypad is set for Auto Code Entry Mode, all codes will need to be the same number of digits as the master programming code (see "Programming the User Code Entry Mode," pgs. 28~29).

---

## Programming the Super User Code:

The super user code has multiple functions:

- The super user code can activate or deactivate outputs #1, #2, or #3 at any time.
- The super user code can toggle output #1 on or off.
- The super user code can pause or restart the timed output #1 auto-disable period.
- The super user code can enable or disable output #1.
- The super user code is exempt from any system inhibition or lockup functions. It is valid at any time.

### Programming the Super User Code:

1. Make sure the keypad is in programming mode (see "Enter and Exit Programming Mode," pgs. 14~15):
2. Enter the new super user code:

### NOTES:

- represents the new super user code, which can be 4 to 8 digits long.
- There can be **only one super user code** for the keypad.
- Programming a new super user code will overwrite the previous super user code.
- **The master programming, super user, common user, visitor, duress, and user codes cannot** be the same.

## **Programming the Super User Code (Continued):**

### **Deleting the Super User Code:**

This function is useful for protecting the premises in case the super user code is forgotten.

To delete a super user code:

1. Make sure the keypad is in programming mode (see pgs. 14~15):
2. Enter:

### **Using the Super User Code:**

In these examples, assume the super user code is    .

1. Activate or deactivate output #1 (timed or toggle, depending on programming):

2. Activate or deactivate output #2 (timed or toggle, depending on programming):

3. Activate or deactivate output #3 (timed or toggle, depending on programming):

4. To toggle operation of output #1 ON or OFF:

### **NOTES:**

- This function is used to leave output #1 active for extended periods of time.
  - Do not forget to deactivate this function after its use is no longer required.
  - It is recommended to only use this function with fail-safe locks.
5. Temporarily pause or restart the timed output #1 disable period:

### **NOTES:**

- This function is used to enable the operation of output #1 if it was disabled using the output #1 auto-disable function (see pgs. 26~27).
- When the output #1 auto-disable function is inactive, the red LED will flash steadily. This indicates that output #1 may now be used.

## **Programming the Super User Code (Continued):**

6. Disable or enable output #1 (toggle, regardless of programming):

### **NOTES:**

- For more information on programming timed or toggle mode, see "Programming the Output Mode and Output Timing," pg. 25.
- The left LED will remain red while output #1 is disabled.
- For safety reasons, the egress button works regardless of whether output #1 is enabled or disabled via the super user code.
- The super user code continues to operate output #1 even while that output is disabled.

---

## **Programming Common User Codes:**

**NOTE:** This function is **only** used when utilizing proximity cards. For programming user codes, see pgs. 20~21.

This function allows a common user code to be automatically added to each proximity card as it is programmed. Every proximity card user also uses the same common user code to operate outputs #1, #2, or #3. This provides greater security than programming the keypad to operate with the card alone. It is also more convenient than assigning each user a unique user code, although unique user codes offer an even greater degree of security.

1. Program a common user code for output #1:

2. Program a common user code for output #2:

3. Program a common user code for output #3:

4. Delete a common user code for output #1:

### **NOTES:**

- represents the new common user code, which can be 4 to 8 digits long.
- Programming a new common user code will overwrite the previous common user code.
- A common user code is not necessary if unique user codes are assigned.
- The **master programming, super user, common user, visitor, duress and user codes cannot** be the same.

## Programming User Codes and Proximity Cards:

When programming user codes and/or proximity cards, use this general formula:

**A A B C C C D D D D #**

**A** – Output

**B** – Security Level (or **5** to delete a user code or card)

**C** – User ID

**D** – User Code / Proximity Card

### Outputs:

- **1 0** – Output #1, up to 1,000 possible user codes and proximity cards.
- **2 0** – Output #2, up to 100 possible user codes and proximity cards.
- **3 0** – Output #3, up to 100 possible user codes and proximity cards.

### Security Levels and Card/Code Deletion:

- **1 Card only** – The most basic, convenient level of security. Just tap a previously-programmed proximity card over the keypad to activate outputs #1, #2, or #3.

**NOTE:** The duress code feature cannot be used with the keypad programmed to "card only" security mode. However, a duress code can be entered instead of a card.

- **2 User code only** – Type in a 4 to 8-digit user code to activate outputs #1, #2, or #3.
- **3 Card + unique user code** – The most secure level. This code is programmed separately for each card and can be unique to the card, or the same code can be used for a group or department. The card and code must be used together to operate the output.
- **4 Card + common user code** – All valid proximity cards can be programmed with a single common user code so that outputs #1, #2, or #3 can only be activated if one of the cards and the common user code are used together. The common user code is automatically assigned as each proximity card is programmed into the keypad.
- **5** – Delete a programmed proximity card or user code.
- **0 9 9 9** – Delete all programmed proximity cards or codes for the selected output.

### User IDs:

- **0 0 0** to **9 9 9** – 1,000 unique user IDs for user codes and proximity cards for output #1.
- **0 0 1** to **1 0 0** – 100 unique user IDs for user codes and proximity cards for output #2.
- **0 0 1** to **1 0 0** – 100 unique user IDs for user codes and proximity cards for output #3.

**Programming User Codes and Proximity Cards (Continued):**

**User Codes:**

- A user code can be 4 to 8 digits long and must have the same length as the master programming code if the keypad is used in auto code entry mode (see “Programming the User Code Entry Mode,” pgs. 28~29).
- The **master programming, super user, common user, visitor, duress, and user codes cannot** be the same.

**Examples:**

1. Program only a proximity card for user ID #017 for output #1:

1 0 1 0 1 7 **READ CARD** #

2. Program a user code 2275 for user ID #010 for output #1:

1 0 2 0 1 0 2 2 7 5 #

3. Delete a proximity card for output #1:

1 0 5 **READ CARD** #

4. Delete code or proximity card stored in position #002 for output #1:

1 0 5 0 0 2 #

5. Delete all users for output #1:

1 0 0 9 9 9 #

6. Program a proximity card for user ID #001 for output #1 for use with a common user code:

1 0 4 0 0 1 **READ CARD** #

**NOTE:** A common user code must already be programmed to the output (see pg. 19).

7. Program a proximity card for user ID #023 for output #2 for use with a unique user code 2468:

2 0 3 0 2 3 **READ CARD** 2 4 6 8 #

## Programming Visitor Codes for Output #1:

Visitor codes are temporary codes that expire after use or after a specified amount of time has elapsed. While active, they operate output #1 as normal user codes.

### NOTES:

- Visitor codes cannot be used to deactivate the duress output (see “Operating Duress Codes,” pg. 24).
- If the keypad is powered down, any programmed visitor codes will be deleted.

When programming visitor codes, use this general formula:

– Program Visitor Codes

– Visitor ID

– Valid Duration (hours)

– Visitor Code

### Visitor IDs:

- to   – Up to 50 unique visitor IDs for visitor codes for output #1.
- – Delete all currently programmed visitor codes.

### Valid Duration:

- – Set a one-time code. This code can only be used once by a visitor, after which it is automatically deleted.
- to   – Set the duration the visitor code will be valid, from 1 to 99 hours.

### Visitor Codes:

- A visitor code can be 4 to 8 digits long and must have the same length as the master programming code if the keypad is used in auto code entry mode (see “Programming the User Code Entry Mode,” pgs. 28–29).
- All visitor codes are deleted if power is lost.

### Examples:

1. Set the visitor ID #1 code to 1268 and make it a one-time code:

2. Set the visitor ID #2 code to 1378 and make it valid for 3 hours:

3. Delete the visitor ID #2 code from memory:

4. Delete all currently programmed visitor codes:

## Programming Duress Codes:

Duress codes allow users to trigger a silent alarm or alert if forced to allow access to a protected area. If one uses a duress code instead of their normal user code, outputs #1, #2, or #3 will activate as normal, but the duress output will simultaneously activate to trigger a silent alarm or alert.

### NOTES:

- Duress codes are always valid and are not inhibited by any other operation of the keypad.
- Duress codes cannot be the same as any other user codes.
- Duress codes can be used either as stand-alone codes or in conjunction with a user card, depending on how the user codes are programmed (see “Programming User Codes and Proximity Cards,” pgs. 20~21).
- The duress code should be easy to remember. For instance, it can be the same as a user’s normal user code, but with a single digit changed, as by subtracting or adding 1 to the first or last digit of the code. For example, if the user code is 1369, a good duress code might be 2369.

When programming duress codes, use this general formula:

**A A B B C C C C #**

**A** – Output

**B** – Duress ID

**C** – Duress Code

### Outputs:

- **4 1** – Output #1
- **4 2** – Output #2
- **4 3** – Output #3

### Duress IDs:

- **0 1** to **5 0** – Up to 50 duress codes can be programmed for output #1.
- **0 1** to **1 0** – Up to 10 duress codes can be programmed for output #2.
- **0 1** to **1 0** – Up to 10 duress codes can be programmed for output #3.
- **0 9 9 9** – Delete all currently programmed duress codes.

### Duress Codes:

- A duress code can be 4 to 8 digits long and must have the same length as the master programming code if the keypad is used in auto code entry mode (see “Programming the User Code Entry Mode,” pgs. 28~29).

**Programming Duress Codes (Continued):**

**Examples:**

1. Set the duress ID #1 code for output #1 to 2369:

4 1 0 1 2 3 6 9 #

2. Set the duress ID #1 code for output #2 to 23980:

4 2 0 1 2 3 9 8 0 #

3. Delete the duress ID #1 code for output #1 from memory:

4 1 0 1 #

4. Delete all duress codes for output #1 from memory:

4 1 0 9 9 9 #

**Operating Duress Codes:**

If a duress code is used in place of a normal user code, both the appropriate outputs #1, #2, or #3 and the duress output will be activated. However, a duress code **cannot** deactivate the duress output. Only a **normal user code/card**, **super user code**, or a **master programming code** can deactivate the duress output.

**NOTE:** A duress code can also be used in conjunction with a user card to activate the duress output. However, a user card alone cannot activate the duress output.

**Examples** (in these examples, assume that 2369 is an output #1 duress code and that 1369 is an output #1 user code):

1. Activate the duress output and output #1 using the duress code:

2 3 6 9 #

**NOTE:** Subsequently entering the duress code will activate output #1 again, but will not deactivate the duress output.

2. Deactivate the duress output using the user code:

1 3 6 9 #

3. Activate the duress output and output #1 using the duress code and a user card:

**READ CARD** 2 3 6 9 #



**Programming the Output Mode and Output Timing:**

The relays for outputs #1, #2, and #3 can be programmed to trigger ON and OFF with a user code or user card (toggle mode), or to trigger for a programmed length of time of up to nearly 28 hours before automatically turning OFF. The toggle or timed outputs can be used for locking or unlocking a door or for a variety of functions that can be controlled with the keypad.

When programming the output mode and time, use this general formula:

**A A B B B B B B #**

**A** – Output

**B** – Output Mode and Time

**Outputs:**

- **5 1** – Output #1
- **5 2** – Output #2
- **5 3** – Output #3

**Output Mode and Time:**

- **0** – Start/stop (toggle) mode. In this case, the output starts when a user code and/or user card is entered, and stops when a user code and/or card is entered.
- **1** to **9 9 9 9 9 9** – The output triggered by a user code and/or user card lasts 1 to 99,999 seconds (nearly 28 hours) before automatically turning off (default 5 seconds).

**NOTE:** While the keypad is in momentary timed output mode, the output can be reset any time by entering the super user code.

**Examples** (in these examples, assume that the super user code is **2 5 8 0**):

1. In programming mode, set the output #1 to toggle:

**5 1 0 #**

2. In programming mode, set the output #2 to 60 seconds:

**5 2 6 0 #**

3. Reset output #1 timer:

**2 5 8 0 # 1**

4. Reset output #2 timer:

**2 5 8 0 # 2**

5. Reset output #3 timer:

**2 5 8 0 # 3**

## Programming the Real-Time Clock:

A 24-hour real-time clock provides the baseline time needed to start and stop the output #1 auto-disable time (see "Programming the Output #1 Auto-Disable Time" below).

If output #1 auto-disable time is not programmed, it is not necessary to set the real-time clock.

To set the clock, use this general formula:

– Program Real-Time Clock

– Hours

– Minutes

### Setting Hours and Minutes:

- represents hours and   represents minutes in the military (24-hour) time format, from 00:00 to 23:59.

### Examples:

1. Set the real-time clock to 11:30 AM:

2. Set the real-time clock to 7:15 PM:

### NOTES:

- If the output #1 auto-disable time is programmed, losing power will cause the keypad to beep 3 times every 5 seconds. To deactivate this alert, either reset the real-time clock or clear the output #1 auto-disable time.
- If output #1 auto-disable time is not programmed, the keypad will not beep if power is lost.
- To ensure accurate time, it is advisable to re-program the real-time clock every three to six months and when Daylight Savings Time begins and ends (if applicable).

---

## Programming the Output #1 Auto-Disable Time:

The keypad can be programmed so that output #1 is disabled for a certain period of time every day. Output #1 will be disabled at the start time, and will be re-enabled at the end time. This ensures that users are not allowed into the protected premises, such as during lunch hour or at night.

### NOTES:

- The real-time clock must be operating in order to set the output #1 auto-disable time (see "Programming the Real-Time Clock" above).
- For safety purposes, the egress button still works while output #1 is auto-disabled.

**Programming the Output #1 Auto-Disable Time (Continued):**

- The time is set using the military (24-hour) time format (00:00 to 23:59).
- If the programmed start time is before the end time, output #1 is auto-disabled within a single day. If the programmed start time is after the end time, the end time will be on the following day.
- The start time and end time cannot be the same.
- The auto-disable time can be temporarily paused and restarted using the super user code (see "Programming the Super User Code" on pgs. 17~18).
- During the output #1 auto-disable time, the super user code can be used to operate output #1
- The red LED will remain lit during the output #1 auto-disable time.

When programming the output #1 auto-disable time, use this general formula:

**[5][6] [H][H][M][M] [H][H][M][M] [#]**

**[5][6]** – Program Output #1 Auto-Disable Time

**[H][H][M][M]** – Start Time

**[H][H][M][M]** – End Time

**Start Time:**

Start time for output #1 auto-disable time. **[H][H]** represents hours and **[M][M]** represents minutes in the military (24-hour) time format, from 00:00 to 23:59.

**End Time:**

End time for output #1 auto-disable time. **[H][H]** represents hours and **[M][M]** represents minutes in the military (24-hour) time format, from 00:00 to 23:59.

**Examples** (in these examples, assume that the super user code is **[2][5][8][0]**):

1. In programming mode, set the output #1 auto-disable time from 12:00 PM to 1:00 PM:

**[5][6] [1][2][0][0] [1][3][0][0] [#]**

2. In programming mode, set the output #1 auto-disable time from 6:30 PM to 7:30 AM the following day:

**[5][6] [1][8][3][0] [0][7][3][0] [#]**

3. In programming mode, clear the output #1 auto-disable time:

**[5][6] [#]**

4. Temporarily pause and resume the output #1 auto-disable time:

**[2][5][8][0] [#] [8]**

5. Activate output #1 during the auto-disable time (i.e. open the protected door):

**[2][5][8][0] [#] [1]**

## Programming the Wrong-Code System Lock-Up:

The keypad can be programmed to lock up in order to secure the premises against unauthorized entry if multiple wrong codes are entered or multiple wrong user cards are tapped.

When programming the wrong-code system lock-up, use this general formula:

**6 0 A A #**

**6 0** – Program Wrong-Code System Lock-Up

**A A** – Lock Options

### Lock Options:

Choose from several different options for the wrong-code system lock-up security level:

- **1 0** – After 10 successive false attempts using incorrect user codes or user cards, the keypad will lock for 60 seconds (default).
- **2** – After 10 successive false attempts using incorrect user codes or user cards, the duress output will activate. The duress output can be deactivated using any user code or user card, or via the super user code.
- **5** to **1 0 0** – After 5 to 10 successive false attempts using incorrect user codes or user cards, the keypad will lock for 15 minutes or until the super user code is used as follows:  
**SUPER USER CODE # 9**
- **0 0** – No system lock-up will happen.

**NOTE:** The keypad's red LED will remain lit to show that the keypad is locked. The duress code will still function in this mode.

---

## Programming the User Code Entry Mode:

The keypad can be programmed for auto or manual user code entry modes:

- Auto entry mode – Pressing the **#** key is not required after typing in a user code. In auto entry mode, all user codes must have the same number of digits as the master programming code.
- Manual entry mode – The **#** key must be pressed after the user code to indicate the code has been entered completely. In this case, the user codes can have a different number of digits, from 4 to 8 digits.

### To Program:

- For auto entry mode:

**7 0 1 #**

- For manual entry mode (default):

**7 0 2 #**

**Programming the User Code Entry Mode (Continued):**

**NOTE:** If the keypad was previously programmed for manual code entry mode and then is reprogrammed for auto entry mode, any codes whose length exceeds the number of digits of the master programming code will no longer operate the keypad. However, if the keypad is reprogrammed for manual entry mode, the longer codes will again operate the keypad.

---

**Programming the Keypad Sounds:**

Some of the keypad sounds can be programmed off:

- Keypad audible mode – All the keypad's status beeps are enabled.
- Keypad silent mode – The successful key entry beep (1 beep) and the unsuccessful user code or card entry beeps (5 beeps) are disabled. However, the warning and power-up delay beeps remain active. This provides for a quieter work environment.

**To Program:**

- To enable keypad audible mode: (default):

**7** **1** **1** **#**

- To enable keypad silent mode:

**7** **1** **0** **#**

**NOTE:** This programming function only impacts the keypad sounds. It does not impact the output relay activation sounds (see "Programming the Output Relay Activation Sounds" below).

---

**Programming the Output Relay Activation Sounds:**

The keypad output sounds can be programmed for one of three modes:

- No beeps – The keypad will not beep when an output is activated:  
**7** **2** **0** **#**
- 1-second beep (default) – The keypad will beep for 1 second when an output is activated:  
**7** **2** **1** **#**
- 2 short beeps – The keypad will beep twice when an output is activated:  
**7** **2** **2** **#**

**NOTE:** This programming function only impacts the output relay activation sounds. It does not impact the keypad sounds (see "Programming the Keypad Sounds" above).

---

**Programming the Amber LED Flashing During Standby Mode:**

The keypad's amber LED typically flashes while the keypad is in standby mode, but can be programmed off if needed.

- Enable amber LED flashing during standby mode (default):

**7** **3** **1** **#**

- Disable amber LED flashing during standby mode:

**7** **3** **0** **#**

---

**Programming the Door-Forced-Open Warning and Timing:**

If the keypad is connected to an optional magnetic contact or other door protection switch or device, the keypad can be programmed to beep and output to an alarm when a door has been forced open. The keypad beep and alarm output can be set to activate for 1 to 999 seconds.

**To Program:**

- Door-forced-open warning OFF (default):

8 0 0 #

- Door-propped-open warning ON:

8 0 T T T #

**NOTES:**

- T T T represents the beep active and alarm output time, which can be set from 1 to 999 seconds.
- If programmed for door-forced-open warning, the keypad will beep and the alarm will output if the door is forced open without using a user code and/or card or the egress button. The keypad will not beep if the door is opened with a user code and/or card or the egress button.
- The door open alarm and door-forced-open warning should not both be enabled, as the overlap in timing could result in incorrect alarm output (see "Programming the Door Open Alarm and Timing," pg. 31).
- The "K or A" jumper must be set to "A" for the alarm output to function correctly (see the "Jumper Settings" table, pg. 9).

---

**Programming the Door-Propped-Open Warning and Delay Time:**

If the keypad is connected to an optional magnetic contact or other door protection switch or device, the keypad can be programmed to beep when a door has been propped open. This prompts authorized users to close a door that was not closed properly or to investigate a door that may have been deliberately propped open.

**To Program:**

- Door-propped-open warning OFF (default):

8 1 0 #

- Door-propped-open warning ON:

8 1 T T T #

**Programming the Door-Propped-Open Warning and Delay Time (Cont.):****NOTES:**

- **T T T** represents the delay time, which can be set from 1 to 999 seconds.
- The delay time provides time for a door to close normally before triggering the door-propped-open warning.
- The door-propped-open beeping will stop when the open door is closed.
- The alarm output cannot be programmed to operate with the Door-Propped-Open Feature.

**Programming the Door Open Alarm and Timing:**

If the keypad is connected to a magnetic contact or other door monitoring device, it can be programmed to trigger the alarm output for 1 to 999 seconds if the door is opened. In this case, if the alarm output is triggered, the output either automatically ends at the end of the programmed time or when a user code or super user code is input for output #1.

**To Program:**

- Door open alarm OFF (default):

**9 1 0 #**

- Door open alarm ON:

**9 1 T T T #**

**NOTES:**

- **T T T** represents the alarm output time, which can be set from 1 to 999 seconds.
- If programmed for door open alarm, the alarm will output if the door is forced open without using a user code and/or card. The alarm will not output if the door is opened with a user code and/or card.
- The door open alarm and door-forced-open warning should not both be enabled, as the overlap in timing could result in incorrect alarm output (see "Programming the Door-Forced-Open Warning and Timing," pg. 30).
- The "K or A" jumper must be set to "A" for the alarm output to function correctly (see the "Jumper Settings" table, pg. 9).

**Programming the Egress Delay/Warning/Alarm:**

With most keypads, the egress button provides a simple way for someone inside a protected premise to exit through a locked door by pressing a button instead of using a keypad. However, in some situations, delaying the egress operation and/or providing some warning when the egress button is used is desirable.

For example, in hospitals or schools, it may be desirable to delay the egress operation and provide a warning to prevent patients or young children from easily leaving the protected area.

For simple egress with no delay, warning, or alarm do not change this setting. It is disabled by default.

## **Programming the Egress Delay/Warning/Alarm (Continued):**

When programming the egress delay/warning/alarm, use this general formula:

**9 0** **A** **B B** **#**

**9 0** – Program Egress Delay/Warning/Alarm

**A** – Egress Mode

**B B** – Delay Time

### **Egress Modes:**

There are six possible egress operation configurations for the keypad:

- **1** – Momentary contact with no warning (default) – Press the egress button momentarily for silent egress operation.
- **2** – Momentary contact with warning beep – Press the egress button momentarily. The keypad will beep for the programmed delay time before letting the door open, to warn that someone is preparing to exit the protected area.
- **3** – Momentary contact with warning beep and alarm – Press the egress button momentarily. The keypad will beep and activate the alarm output for the programmed delay time before letting the door open, to warn that someone is preparing to exit the protected area.
- **4** – Hold contact with no warning – Press and hold the egress button for the programmed delay time until the door is open. This prevents accidental opening of the door.
- **5** – Hold contact with warning beep – Press and hold the egress button for the programmed delay time until the door is open. The keypad will beep during the delay time before letting the door open, to warn that someone is preparing to exit the protected area.
- **6** – Hold contact with warning beep and alarm – Press and hold the egress button for the programmed delay time until the door is open. The keypad will beep and activate the alarm output during the delay time before letting the door open, to warn that someone is preparing to exit the protected area.

**NOTE:** When an egress button is programmed to hold for a delay time before the door is released, it is important to put a sign near the egress button to notify users of the delay time.

### **Delay Time:**

- **0** – No delay time (default): Output #1 operates immediately when the egress button is pressed.
- **1** to **99** – Egress button delay time: The delay time can be set from 1 to 99 seconds. This tells the keypad how long to wait after the egress button is pressed before activating output #1.



**Programming the Egress Delay/Warning/Alarm (Continued):****Examples:**

1. Momentary mode – Press the egress button, and the keypad will beep for 5 seconds before output #1 activates:
2. Hold button to activate – Press and hold the egress button for 10 seconds, and the keypad will beep for those 10 seconds before output #1 activates:
3. Return to default setting – Press the egress button to activate output #1 with no beeping or delay:

**NOTE:** For safety and to avoid confusion, when a delay or a press-and-hold delay is programmed, please post a notice near the egress button, such as: "Press and hold the button for 5 seconds or until the door is unlocked."

**Direct Access to Programming:**

Direct Access to Programming (DAP) is used to reset the master programming code if it is forgotten. DAP will not change the programming of the keypad in any other way.

**To Use DAP:**

1. Disconnect the keypad's power.
2. Wait one minute to ensure that the keypad's power is fully discharged.
3. Reconnect the power. The keypad will beep repeatedly for one minute.
4. While the keypad is beeping, press the egress button once to stop the beeping.

**NOTE:** If no egress button is installed, use a small jumper wire to momentarily connect the egress input and common ground terminals.

5. Enter the DAP code:

6. The amber LED will now turn ON, indicating that the keypad is ready for a new master programming code to be programmed.

**NOTES:**

- See "Programming the Master Programming Code," pg. 17 for how to program a new master programming code.
- Direct Access to Programming (DAP) will not reset the keypad's programming. It will only enter programming mode in order to program a new master programming code.
- For complete system reset, see "System Restore," pg. 15.

## **User's Guide to Operating the SK-3133-PPQ:**

See "Programming the Master Programming Code" and "Programming the Super User Code," pgs. 17~19 for functions specific to those authorized to use those codes.

### **Opening the Door:**

In these examples, assume that the **user code** is **2 2 7 5**, the **common user code** is **3 5 2 6**, and a **unique user code** is **2 4 6 8**.

- Security Level 1 – Card only

#### **READ CARD**

One long beep indicates that the door can be opened.

- Security Level 2 – Code only

**2 2 7 5** **#**

One long beep indicates that the door can be opened.

- Security Level 3 – Card + Common user code

#### **READ CARD**

Two short beeps and a rapidly flashing amber LED indicates the card is accepted and the keypad is waiting for the Common user code.

**3 5 2 6** **#**

One Long beep indicates that the door can be opened.

- Security Level 4 – Card + Unique user code

#### **READ CARD**

Two short beeps and a rapidly flashing amber LED indicates the card is accepted and the keypad is waiting for the Unique user code.

**2 4 6 8** **#**

One long beep indicates that the door can be opened.

**NOTE:** For more information on security levels, please see "Getting Ready to Program," pg. 14.

### **Operating the Egress Button:**

Press the egress button from inside the protected premises to unlock the door and exit without using the keypad.

**NOTE:** For more information on programming the Egress button, please see "Programming the Egress Delay/Warning/Alarm," pgs. 31~33.

# ENFORCER Heavy-Duty Outdoor Access Control Keypad with Proximity Reader

## Installation Notes:

Copy this chart to use during setup for future reference:

User #	User's Name	Output (1, 2, or 3)	Security Level*	User ID	User Code (or Duress Code)	Card#	Notes:
1 Sample	John	1	4	001	Common	001	
1							
2							
3							
4							
5							
6							
7							
8							
9							
10							
11							
12							
13							
14							
15							
16							
17							
18							
19							
20							
21							
22							
23							

\*Security levels: 1 = card only, 2 = code only, 3 = card + unique user code, 4 = card + common user code

# ENFORCER Heavy-Duty Outdoor Access Control Keypad with Proximity Reader

## Troubleshooting:

User code doesn't work	<ul style="list-style-type: none"><li>• Make sure you programmed a User Code instead of a Super User or Common User Code.</li><li>• Try deleting the super user code and common user code then reprogramming the user code.</li></ul>
Master programming code doesn't work	<ul style="list-style-type: none"><li>• See the DAP process</li></ul>
Keypad constantly beeps on power-up	<ul style="list-style-type: none"><li>• This is a normal operation. Press 12# to prematurely stop the beeping.</li></ul>

## Also Available from SECO-LARM®:

### Proximity Cards



PR-K1S1-A

### Proximity Keyfob



PR-K1K1-AQ

### Electromagnetic Gate Locks



E-942FC-1K3SQ shown

## FCC COMPLIANCE STATEMENT

FCC ID: K4E3133PPQ

THIS DEVICE COMPLIES WITH PART 15 OF THE FCC RULES. OPERATION IS SUBJECT TO THE FOLLOWING TWO CONDITIONS: (1) THIS DEVICE MAY NOT CAUSE HARMFUL INTERFERENCE AND (2) THIS DEVICE MUST ACCEPT ANY INTERFERENCE RECEIVED, INCLUDING INTERFERENCE THAT MAY CAUSE UNDESIRE OPERATION.

Notice: The changes or modifications not expressly approved by the party responsible for compliance could void the user's authority to operate the equipment.

IMPORTANT NOTE: To comply with the FCC RF exposure compliance requirements, no change to the antenna or the device is permitted. Any change to the antenna or the device could result in the device exceeding the RF exposure requirements and void user's authority to operate the device.

**WARRANTY:** This SECO-LARM product is warranted against defects in material and workmanship while used in normal service for two (2) years from the date of sale to the original customer. SECO-LARM's obligation is limited to the repair or replacement of any defective part if the unit is returned, transportation prepaid, to SECO-LARM. This Warranty is void if damage is caused by or attributed to acts of God, physical or electrical misuse or abuse, neglect, repair or alteration, improper or abnormal usage, or faulty installation, or if for any other reason SECO-LARM determines that such equipment is not operating properly as a result of causes other than defects in material and workmanship. The sole obligation of SECO-LARM and the purchaser's exclusive remedy, shall be limited to the replacement or repair only, at SECO-LARM's option. In no event shall SECO-LARM be liable for any special, collateral, incidental, or consequential personal or property damage of any kind to the purchaser or anyone else.

**NOTICE:** The SECO-LARM policy is one of continual development and improvement. For that reason, SECO-LARM reserves the right to change specifications without notice. SECO-LARM is also not responsible for misprints. All trademarks are the property of SECO-LARM U.S.A., Inc. or their respective owners. Copyright © 2020 SECO-LARM U.S.A., Inc. All rights reserved.

## SECO-LARM® U.S.A., Inc.

16842 Millikan Avenue, Irvine, CA 92606  
Phone: (949) 261-2999 | (800) 662-0800

Website: [www.seco-larm.com](http://www.seco-larm.com)  
Email: [sales@seco-larm.com](mailto:sales@seco-larm.com)



MI\_SK-3133-PPQ\_200720.docx