

# ENFORCER®

## SK-2612-SPQ

### Outdoor Stand-Alone/Wiegand Keypad with Proximity Reader

#### Manual



#### Features:

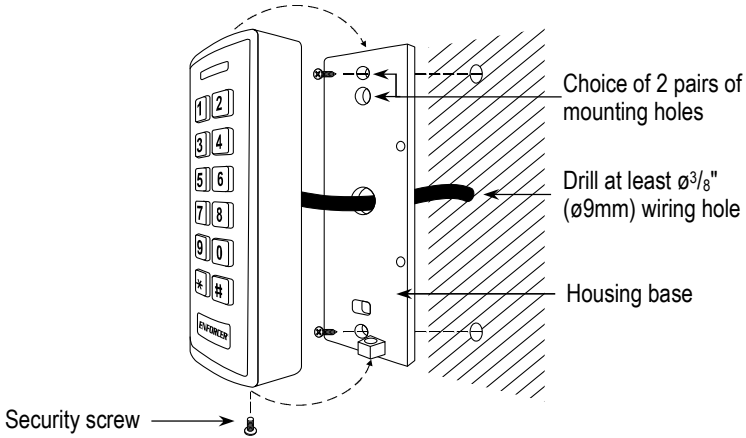
- 1,000 Users (up to 998 users and 2 duress users)
- User code length 4~6 digits
- 9~18 VDC Operation
- Low current draw – 105mA max.
- Form C relay output – 2A@12VDC
- Adjustable output time – 0.5~99s, or toggle
- Built-in tamper alarm and external alarm output
- Backlit keypad and multicolor status LED
- EM 125kHz
- Outdoor rated – IP66
- Easy transfer of users to additional devices
- EEPROM Memory protects programmed information in case of power loss
- All features programmed directly on the keypad: No need for an external programmer
- Egress input lets users exit the premises without keying in a code
- Can serve as Wiegand reader or controller, output and input – 26~37 bits
- 2-Door interlock
- Extreme cold tolerance to -40° F (-40° C)
- Sturdy black ABS plastic housing

# ENFORCER Outdoor Stand-Alone/Wiegand Keypad with Proximity Reader

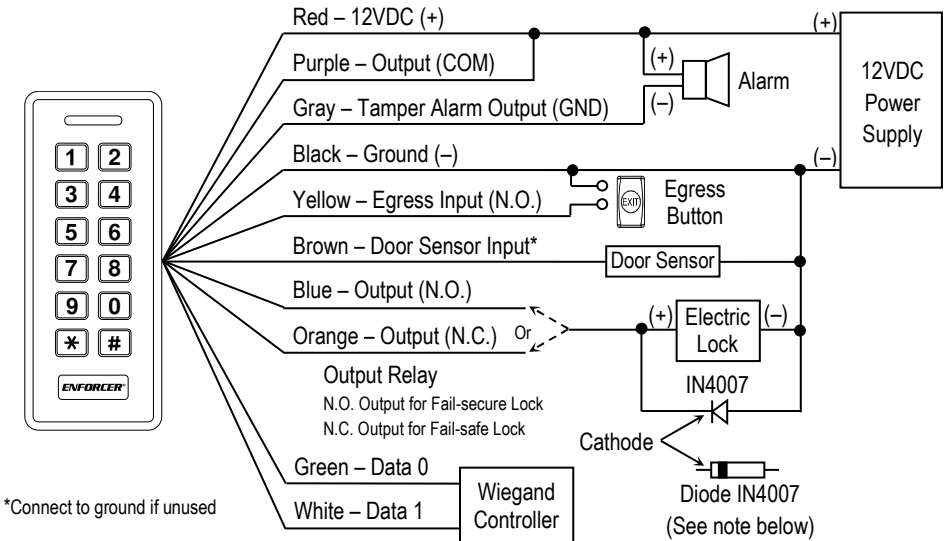
## Quick Installation Guide:

This page is for installers looking to do a basic installation and programming of the keypad. For more in-depth installation and programming instructions, see "Table of Contents" on pg. 4.

## Mounting Diagram:



## Quick Wiring Diagram:



**NOTE:** For DC-powered electric strikes, connect the included diode—with the cathode (striped end) toward the positive side—as close as possible and in parallel with the electric strike. This absorbs possible electromagnetic interference to prevent operation of the strike from damaging the keypad. Do not connect a diode when using electromagnetic locks or with AC powered strikes.

## Quick Programming Guide:

### Programming Tips:

- Master programming code (6 digits) should be programmed before any other programming.
- A steady red LED indicates that keypad is powered on and ready. The LED will change to orange and a single beep will sound to indicate the device has entered programming mode.

### Programming Instructions:

Follow the instructions below if the following covers your needs:

- A new master programming code.
- Setting one user code.
- Setting one user card
- A door-unlocked time of 4 seconds after the output is activated.
- Access mode / security level set to "card or code" (default)

**NOTE:** It's important to choose and fully understand the security level before adding users. For other security levels besides the default, read their setup instructions carefully before proceeding.

1. Enter base programming mode:

\* 1 2 3 4 5 6 #

**NOTE:** 1 2 3 4 5 6 is the factory default master programming code. A new master programming code (6 digits) should be set the first time you enter programming mode.

2. Set the master programming code (6 digits):

0 x x x x x x # x x x x x x #

**NOTE:** x x x x x x is the new master programming code and must be entered twice.

3. Set a user card to operate the output (unlock the door):

1 1 5 # Read Card #

#### NOTES:

- 1 5 # chooses user ID #15 of 998 possible user IDs (0~997).
- To add other users (card or code) do not repeat the initial function code 1.

4. Set a user code to operate the output (unlock the door):

1 1 0 # 4 5 8 7 #

#### NOTES:

- 1 0 # chooses user ID #10 of 998 possible user IDs (0~997).
- 4 5 8 7 is the new user code for user ID #10 (4~6 digits).
- Do not assign the user code 8888 to any user ID.
- To add other users (card or code) do not repeat the initial function code 1.

5. Set the output time (skip this step if the default value of 5 seconds is acceptable):

3 4 #

**NOTE:** 4 sets the output delay time for 4 seconds.

6. Exit programming mode:

\*

One short beep will sound to indicated that the keypad has exited programming mode.

# ENFORCER Outdoor Stand-Alone/Wiegand Keypad with Proximity Reader

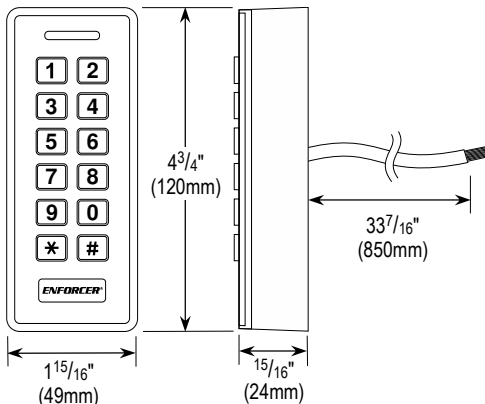
## Table of Contents:

Quick Installation Guide:.....	2	Programming User Codes:.....	11~12
Mounting Diagram:.....	2	Changing the User Code for an Existing User:.....	12
Quick Wiring Diagram:.....	2	Programming Duress Codes or Cards:.....	12
Quick Programming Guide:.....	3	Deleting Users:.....	13
Table of Contents:.....	4	Programming Output Mode and Time:.....	14
Specifications:.....	4	Programming Notification Sounds, LED, Backlight:.....	15
Overview:.....	4	Programming the External Alarm Output:.....	15
Parts List:.....	4	Programming the Wrong-Code Lockout/Alarm:.....	16
LED Indicators and Device Sounds:.....	5	Setting up a Two-Door Interlock System:.....	17
Important Notes:.....	5	Duplicating Users to Other Keypads:.....	18
Installation:.....	5	Wiegand Controller Mode:.....	18~19
Wiring Chart:.....	6	Wiegand Reader Mode:.....	19
Getting Ready to Program:.....	6-7	Troubleshooting:.....	19
Programming Format and Default Values:.....	7	Resetting to Factory Default and Programming	
Programming the Master Programming Code:.....	8	Add/Delete Cards:.....	20
Setting the Keypad Operation Mode:.....	8	Accessories Available from SECO-LARM:.....	20
Programming the Access Mode / Security Level:.....	8~9	Important Notes/Warnings.....	20
Programming User Proximity Cards:.....	9~11	Warranty:.....	20

## Specifications:

Operating voltage		9-18 VDC
Current draw	Standby	40mA@12VDC
	Active	105mA@12VDC (max.)
Outputs	Form C	2A@12VDC
	Alarm	2.5A@12VDC
	Wiegand	26~37 bits, PIN output bits – 4, 8, or 10
Egress input		N.O. Ground
Door sensor input		N.C. Ground
Wiegand input		26~37 bits, PIN input bits – 4, 8, or 10
Card type		EM 125kHz
Enclosure material		Black ABS plastic
Operating temperature		-40°~140° F (-40°~60° C)
Operating humidity		10-90% non-condensing
Dimensions		1 <sup>15</sup> / <sub>16</sub> "x4 <sup>3</sup> / <sub>4</sub> "x1 <sup>15</sup> / <sub>16</sub> " (49x120x24 mm)
Weight		5.8-oz (165g)

## Overview:



## Parts List:

- 1x Keypad
- 1x Security wrench
- 1x Diode
- 2x Mounting screws
- 2x Plastic screw anchors
- 1x Master add card\*
- 1x Master delete card\*
- 1x Manual

\*User proximity cards or key fobs sold separately (see pg. 20)

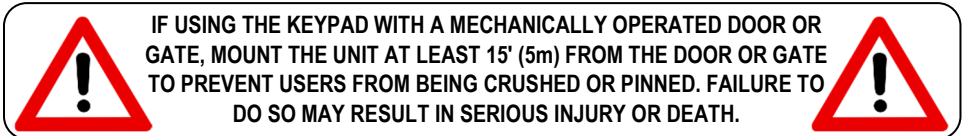
# ENFORCER Outdoor Stand-Alone/Wiegand Keypad with Proximity Reader

## LED Indicators and Device Sounds:

Status	Sounds	LED
Power on in standby mode	--	Red steady
In base programming mode	1 Beep	Red flashing
In function programming mode	1 Beep	Orange steady
Exit programming mode	1 Beep	Red steady
Successful operation	1 Beep	Green flash once
Unsuccessful operation	3 Beeps	
Built-in alarm	Rapid beeping*	Red flashing rapidly

\*De-activate the built-in alarm by entering a valid user code.

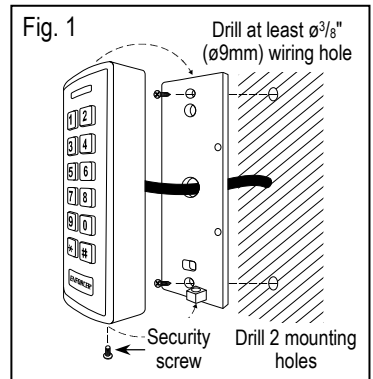
## Important Notes:



1. Always disconnect power before servicing the keypad. Do not apply power until all connection wiring is completed.
2. The keypad must be properly grounded. Use a minimum 22AWG wire connected to the common ground wire. Failure to do so may damage the unit.
3. All wiring and programming should be done by a professional installer to reduce the risk of improper installation.
4. Be sure to store this manual in a safe place for future reference.

## Installation:

1. Find a suitable location to mount the keypad. Install at a height convenient to most users.
2. Using the included security wrench, remove the security screw located on the bottom of the keypad (Fig. 1).
3. Carefully remove the keypad from the housing base, sliding the keypad slightly upwards.
4. Using the housing base as a template, mark the holes needed for the wiring and mounting screws and drill needed holes (choose either of the two pairs of mounting holes). Ensure that the wiring hole is large enough to allow the wiring to be pushed in without crimping.
5. Run wiring through the wall to the wiring hole in the wall.
6. Thread the keypad wires through the center of the keypad base and connect all according to "Wiring Chart" on pg. 6.
7. Carefully push the wires through the hole in the wall.
8. Install the base using the included mounting screws and mounting screw anchors (if necessary). Ensure the correct orientation as shown in Fig. 1.
9. Finish assembly by reattaching the keypad to the base and securing with the security screw.



**NOTE:** For weatherproof installation, add a bead of silicone sealant around the base where it meets the wall.

# ENFORCER Outdoor Stand-Alone/Wiegand Keypad with Proximity Reader

## Wiring Chart:

Color	Function	Description
Red	Power (+)	Connect to +12VDC power supply
Black	Ground (-)	Connect to Ground
Yellow	Egress Input	N.O. Pushbutton contact to ground. Press button to activate the output
Brown	Door Sensor	Connect to a magnetic contact or door sensor
Blue	Output N.O.	NO/NC/COM, relay output, max. 3A@12VDC
Purple	Output COM	
Orange	Output N.C.	
Gray	Alarm Output	Transistor ground output, max. 2.5A@12VDC.
Green	Data 0	Wiegand controller
White	Data 1	Wiegand controller

See also Quick Wiring Diagram on pg. 2 for a sample application and for the use of the included diode.

## Getting Ready to Program:

The keypad is activated by keypad user codes (4~6 digits) and/or user proximity cards.\* All user codes/cards must have a unique User ID (between 0 and 997 for users and 998 or 999 for duress). It is important to record all User IDs for future management tasks.

### Card types:

There are four types of cards:

- Master add card† – Used **only** to quickly add user cards without entering programming mode. This will assign each user card to the first available user ID in consecutive order.
- Master delete card – Used **only** to quickly delete user cards without entering programming mode.
- User cards – Up to 998 user cards (user IDs 0~997) can be assigned to activate the relay.
- Duress cards – Up to 2 duress cards (user IDs 998~999) can be assigned. Duress cards are used under duress to activate the relay while triggering an alarm.

### Keypad code types:

There are three types of keypad user codes:

- Master programming code (6 digits) – Used **only** to enter programming mode and cancel alarms. There can be only one master programming code per keypad.
- User codes (4~6 digits) – Up to 998 user codes (user IDs 0~997) can be assigned. User codes are used to activate the relay and cancel alarms.
- Duress codes (4~6 digits) – up to 2 duress codes (user IDs 998~999) can be assigned. Duress codes are used under duress to activate the relay while triggering an alarm.

### Security Levels:

There are four possible security levels (see "Programming the Access Mode / Security Level," pgs. 8~9 for more detail):

- Card only
- Card or code (default)
- Card+code
- Multiple cards/user codes

\*In this manual "card" refers to either proximity cards or fobs.

†If the master add/delete cards are lost, see "Resetting to Factory Default and Programming Add/Delete Cards," pg. 20)

## Getting Ready to Program (Continued):

### Enter and Exit Base Programming Mode:

All programming of the keypad is done from base programming mode.

1. Enter base programming mode using the master programming code:

# – (One beep will sound and the LED will flash red)

**NOTE:**       is the master programming code (6 digits).       is the default (see "Programming the Master Programming Code," pg. 8).

2. Within the base programming mode, press a function code (see Programming Format and Default Values," below) to enter function programming mode (the LED changes to steady orange). The function code is not repeated between programming different items under the same function code.
3. Exit function programming mode: Press the  key.
4. Exit base programming mode: Press the  key or wait 25 seconds to exit automatically.

### NOTES:

- **DO NOT DISCONNECT THE KEYPAD FROM POWER WHILE IN PROGRAMMING MODE.** Disconnecting the unit while in programming mode may cause a memory error.
- The LED will flash green once indicating the unit has entered base programming mode and with a successful programming step. If you are unsure which function programming mode you are in, press the  key to return to base programming mode and press the function code to proceed.
- Except for changing the user code for an existing User ID or using the Master add and Master delete cards, for all programming functions the keypad must first be in base programming mode.

## Programming Format and Default Values:

In this manual, the format used for programming the keypad is as follows:

- A single-digit () FUNCTION CODE to tell the keypad what is being programmed.
- A varying number of digits () to represent the parameters of that FUNCTION.
- The  key to confirm programming of the FUNCTION and exit to base programming mode.
- The  key to exit programming mode and return to standby mode.

The following is a list of the different programming functions:

Function Code*	Parameters	Default Functions and Values	Pg. #
0	Master programing code	Default 123456, code length 6 digits	8
1	Add user/duress cards/codes	No default, must be programmed	9~12
2	Delete user/duress cards/codes	No default, must be programmed	13
3	Output mode/time	Momentary 5 seconds	14
4	Access mode / security level	Card or code	8~9
5	Set external alarm/time	1 minute	15
6	Wrong-code lockout/alarm	Lockout disabled	16
7	Sounds, LED, backlight Operation mode	All ON Stand-alone mode	15 8
8	Set Wiegand output/input formats	Output/input bits – 26, PIN output/input bits – 4	19
9	Set interlock mode, Duplicate to another device	Interlock default – OFF Duplicate – no default, must be programmed	17 18

\*Press the function code only to enter the programming mode for that function. It should not be repeated between each parameter.






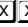
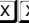


# ENFORCER Outdoor Stand-Alone/Wiegand Keypad with Proximity Reader


---

## Programming the Master Programming Code:

The master programming code is used to enter base programming mode and to cancel alarms. The master programming code **does not** serve as a user code to activate the keypad output.

1. Enter base programming mode (see "Enter and Exit Base Programming Mode," pg. 7).
2. Enter the new master programming code (6 digits):


              (where "X" is the new master programming code)


3. Exit programming mode: Press the  key or wait 25 seconds to exit automatically.
- 

## Setting the Keypad Operation Mode:



The keypad can operate as a standalone keypad, a controller connected to an external Wiegand reader, or a Wiegand reader. To set the operating mode, use the following general formula from within base programming mode (see "Enter and Exit Base Programming Mode," pg. 7):



  

 – Operating Mode function code (a short beep will sound and the LED will change to orange)

 – Set the operating mode

### Operating Mode:

-  – Standalone or controller mode (default)
-  – Wiegand reader mode

**NOTE:** The  key returns you to base programming mode (the LED will flash red). Exit programming mode by pressing the  key (see "Enter and Exit Base Programming Mode," pg. 7).

---

## Programming the Access Mode / Security Level:

It is important to program the access mode / security level before adding users as this will affect user setup. In **all modes except the "card+code" security level**, a user ID may be assigned a card\* or a user code, but not both. To give the same person both a card and a code requires two user IDs. Due to the exceptional operation of the "card+code" security level, see the notes for this security level below.

The keypad can be programmed to one of four access modes / security levels:

- Card only – a user must use a card for access
- Either card or code – a user may use either a card or a user code for access (default)
- Card+code – a user must use both a card and user code for access

### NOTES:

- In this security level, the card should be assigned first. The keypad will automatically assign each entered card a temporary user code 8888. This code will not activate the lock and must be changed before use.
  - If you change to this security level after adding users, all existing card users will be given the temporary user code 8888 which then must be changed for each user.
  - If you change to this security level after adding users, all existing code users have to be reprogrammed by adding a card, which will assign them the temporary user code 8888.
  - The 8888 code for each card must be changed using the steps listed under "Changing the User Code for an Existing User," pg. 12, and not using the regular steps for adding a user code.
-



## Programming the Access Mode / Security Level (Continued):

- Multiple user codes or cards – multiple (2~9) user codes or cards are required for access. Any combination of user codes or cards in any order up to the set number must be used with no more than 5 seconds between each code or card. No particular user code or card can be repeated. This is used for extremely secure areas requiring authentication by more than one person.

### NOTES:

- In multiple user code/card mode, if the same card user code is repeated or a wrong card/code is used, the device will return to standby without triggering the output.
- In multiple user code/card mode, the elapsed time between each user code/card must not exceed 5 seconds, otherwise, the device will return to standby.

When programming the access mode / security level, use the following general formula from within base programming mode (see "Enter and Exit Base Programming Mode," pg. 7):

**4** **A**(**A**) **#**

**4** – Program Access Mode function code (LED will change to steady orange)

**A** – Access Mode

### Access Mode / Security Level:

- **0** – User card access only
- **1** – User card+code
- **2** – Either user card or code (default)
- **3** **2**~**9** – Multiple user cards or codes (the second number 2~9 sets the number of cards/codes required for access).

**NOTE:** The **#** key returns you to base programming mode (the LED will flash red). Exit programming mode by pressing the **\*** key (see "Enter and Exit Base Programming Mode," pg. 7).

### Examples:

1. Set the access mode to card only:

**4** **0** **#**

2. Set the access to require four user codes/cards:

**4** **3****4** **#**

---

## Programming User Proximity Cards:

You should program user cards before programming user codes, especially if you are using the "card+code" security level.

### IMPORTANT NOTES:

- The system assigns a temporary user code 8888 to each card under the "card+code" security level.
- If at a later time, you change the security level to "card+code" each previously entered card will have this 8888 user code as well.
- In "card+code" security level, you **must** remember to change that code before first use. The 8888 user code does not allow access (see "Changing the User Code for an Existing User, pg. 12).

Proximity cards may be assigned to User IDs between 0 and 997. When programming cards, use the following general formula after entering base programming mode (see "Enter and Exit Base Programming Mode," pg. 7):

## Programming User Proximity Cards (Continued):

### Individually:

- 1** **A** **#** Read Card **#** – After a short beep, you may continue to add cards by repeating these steps, but without repeating the function code **1**.
- 1** – Add Users function code (a short beep will sound and the LED will change to steady orange)
- A** – **0** to **997** – 998 unique User IDs to trigger the device (if **A** **#** is omitted, the device will assign the user card to the first available User ID.)

### Adding Cards in a Large Batch (If Using Cards with Printed Numbers):

This method allows the addition of up to 998 cards in a single batch. This is especially useful in the initial setup. This process adds the cards in consecutive order, assigned to available user IDs consecutively.

- 1** **A** **#** **B** **#** Read Card **#** – The process will take up to 2 minutes
- 1** – Add Users function code (a short beep will sound and the LED will change to steady orange)
- A** – **0** to **997** – the beginning user ID
- B** – the number of cards/fobs to be added

#### NOTES:

- The user IDs will be assigned in consecutive order beginning from the beginning user ID.
- The card numbers must be in consecutive order with no gaps in the numbering sequence and must start with the lowest number.

### With the Master Add Card:

The Master Add Card allows you to enter cards quickly without entering programming mode. It takes you directly into the "add user" function mode without the master programming code and the **1** add user function code. Once in this mode, you may add cards using either method described above, but omitting the **1**. When complete, present the Master Add Card again to return to standby mode.

#### NOTES:

- It is important to record each user ID assigned in order to simplify future user management.
- A user ID can only have a single card or single code assigned (except by using the method described in "Changing the User Code for an Existing User," on pg. 12 when in the "card+code" security level). If you try to add a card to an existing user ID that already has a user code assigned, the user code will be removed.
- Additional users may be entered in succession without repeating the function code **1**.
- The **#** key returns you to base programming mode (the LED will flash red). Exit programming mode by pressing the **\*** key (see "Enter and Exit Base Programming Mode," pg. 7).

### Examples:

1. Program user card for User ID #0:

**1** **0** **#** Read Card **#**

2. Program a user card allowing the device to auto-assign to the first available User ID (not recommended unless you have a complete record of already assigned User IDs):

**1** Read Card **#**

## Programming User Proximity Cards (Continued):

3. Program a batch of 50 cards, starting with card# 23456789 and beginning with user ID #0:

**1** **0** **#** **5** **0** **#** Read card# 23456789 **#**

**NOTE:** The add user function code **1** places you into this function programming mode. Press the add user function code only before adding the first user. To continue to add other users in the same session, do not repeat the add user function code **1**.

## Programming User Codes:

User codes may be assigned to User IDs between 0 and 997. **Do not** use this method for adding a user code to an existing card user.

### Programming User Codes Individually:

When programming user codes, use the following general formula after entering base programming mode (see "Enter and Exit Base Programming Mode," pg. 7):

**1** **A** **#** **B****B****B****B** **#** – After a short beep, you may continue to add users by repeating these steps, but without repeating the function code **1**.

**1** – Add Users function code (a short beep will sound and the LED will change to steady orange)

**A** – **0** to **997** – 997 unique User IDs to trigger the device (if **A** **#** is omitted, the device will assign the user code to the first available User ID)

**B** – User code – 4~6 digits (do not use the user code 8888)

### With the Master Add Card:

The Master Add Card allows you to enter codes quickly by taking you directly into the "add user" function mode without needing to enter the master programming code and the **1** add user function code. Once in this mode, you made add codes using the methods described above, but omitting the **1**. When complete, present the Master Add Card again to return to standby mode.

### NOTES:

- It is important to record each User ID assigned in order to simplify future user management.
- A user ID can only have a single card or single code assigned (except by using the method described in "Changing the User Code for an Existing User," on pg. 12 when in the "card+code" security level). If you try to add a user code to an existing user ID that already has a user card assigned, the user card will be removed.
- Additional users may be entered in succession without repeating the function code **1**.
- The **#** key returns you to base programming mode (the LED will flash red). Exit programming mode by pressing the **\*** key (see "Enter and Exit Base Programming Mode," pg. 7).

### Examples:

1. Program user code **2275** for User ID #0:

**1** **0** **#** **2** **2** **7** **5** **#**

2. Program a user code **98765** allowing the device to auto-assign to the first available User ID (not recommended unless you have a complete record of already assigned User IDs):

**1** **9** **8** **7** **6** **5** **#**

## Programming User Codes (Continued):

3. Program two user codes – 67890 for User ID #201, and 654321 for User ID #17:

[1] [2] [0] [1] [#] [6] [7] [8] [9] [0] [#] wait for beep, then [1] [7] [#] [6] [5] [4] [3] [2] [1] [#]

**NOTE:** The add user function code [1] places you into this programming mode. Press the add user function code only before adding the first user. To continue to add other users in the same session, do not repeat the add user function code [1].

## Changing the User Code for an Existing User

### For a Code User:

You can change the user code for an existing user without going into programming mode if you know both the current user code and user ID. Users can also use this method to change their own user codes to something they can more easily remember. This procedure is done outside programming mode.

Use the following formula in standby mode to change an existing user code.

[\*] [U] [#] [C] [C] [C] [C] [#] [N] [N] [N] [N] [#] [N] [N] [N] [N] [#]

[U] – User ID

[C] – Current user code

[N] – New user code (4~6 digits, entered twice, do not use the user code 8888)

### In "Code+Card" Security Level:

If you have set the security level to "card+code," you **must** use this method to change the temporary 8888 user code that the device automatically assigns to card users. Use the following formula in standby mode to change a user code.

[\*] Read Card [#] [C] [C] [C] [C] [#] [N] [N] [N] [N] [#] [N] [N] [N] [N] [#]

[C] – Current user code (temporary default 8888)

[N] – New user code (4~6 digits, entered twice)

## Programming Duress Codes and Cards:

Duress codes/cards are assigned to user IDs 998 and 999 to trigger an alarm while unlocking the door. Duress codes/cards are programmed in the same manner as regular users, **except** that you must particularly assign them to user ID 998 or 999. (see "Programming User Proximity Cards," pgs. 9~11 and Programming User Codes," pgs. 11~12):

### IMPORTANT NOTES:

- A duress user ID can only have a single card or single code assigned (except by using the method described in "Changing the User Code of an Existing User," on pg. 12 when in the "card+code" security level). If you try to add a code to an existing duress user ID that already has a card assigned, the card will be removed and vice versa.
- The duress alarm will sound for the number of minutes set for the external alarm (see "Programming the External Alarm Output," pgs. 15~16) and cannot be silenced before that time is up.
- If a user card or code is used while the duress alarm is sounding, the alarm will continue to sound and not stop after the programmed alarm output time expires. When this happens, the duress code/card must be used again, after which the timing cycle will start again and the alarm will stop only after that time has expired.
- In code+card security level, either the duress card or code will trigger the duress alarm.

## Deleting Users:

### Deleting Individual User/Duress Codes or cards:

To delete a user or duress code/card, use the following general formula from within base programming mode (see "Enter and Exit Base Programming Mode," pg. 7):

**2** **A** **A** **A** ... **#**

**2** – Delete Users function code (a short beep will sound and the LED will change to steady orange)

Either: **A** – **0** to **9999** – the user/duress ID (Duress IDs must use this method)

Or: **A** – **X** **X** **X** **X** **X** **X** – the user code (4-6 digits)

Or: **A** – Read card

### Deleting Cards with the Master Delete Card

The Master Delete Card works similar to the Master Add Card, but allows you to delete cards/codes quickly without entering programming mode. The card takes you directly into the "delete user" function mode without needing to enter the master programming code and the **2** delete user function code.

Once in this mode, you delete cards/codes using any of the methods described above, but omitting the **2**. When complete, present the Master Delete Card again to return to standby mode.

### Deleting All Users:

To delete all users while retaining the keypad configuration, use the following formula from within base programming mode (see "Enter and Exit Base Programming Mode," pg. 7):

**2** **X** **X** **X** **X** **X** **X** **#**

**2** – Delete Users function code (a short beep will sound and the LED will change to steady orange)

**X** **X** **X** **X** **X** **X** **X** – Master programming code

### NOTES:

- Duress IDs cannot be deleted using their user code or card, but must be deleted with the Duress ID.
- Any of the above methods will delete the user ID along with any code/card connected to it.
- The **#** key returns you to base programming mode (the LED will flash red). Exit programming mode by pressing the **\*** key (see "Enter and Exit Base Programming Mode," pg. 7).

### Examples:

1. Delete User ID #501:

**2** **5** **0** **1** **#**

2. Delete user code #6905:

**2** **6** **9** **0** **5** **#**

3. Delete a user card #56789012:

**2** **5** **6** **7** **8** **9** **0** **1** **2** **#**

4. Delete a user card by presenting the card:

**2** Read Card **#**

5. Delete all users (if the master programming code is 631732):

**2** **6** **3** **1** **7** **3** **2** **#**

# **ENFORCER Outdoor Stand-Alone/Wiegand Keypad with Proximity Reader**

## **Programming the Output Mode and Time:**

The relay can be programmed to toggle the relay ON/OFF (toggle mode), or to trigger for a programmed length of time up to 99 seconds before automatically turning OFF. The output can be used for locking or unlocking a door or for a variety of functions that can be controlled with the keypad.

When programming the output mode and time, use the following general formula from within base programming mode (see "Enter and Exit Base Programming Mode," pg. 7):

**3** **A** **A** **#**

**3** – Program Output Mode and Time function code (a short beep will sound and the LED will change to steady orange)

**A** – Output Mode and Output Time

### **Output Mode and Output Time:**

- **0** – Start/stop (toggle) mode. In this case, the output starts when a user code is entered, and stops when a user code is entered again.
- **1** to **99** – The output triggered by a user code lasts up to 99 seconds before automatically turning off (1=500ms, default: 5 seconds).

### **NOTES:**

- For programming the output timing, 1=500ms. 2~99 represents full seconds.
- The **#** key returns you to base programming mode (the LED will flash red). Exit programming mode by pressing the **\*** key (see "Enter and Exit Base Programming Mode," pg. 7).

### **Examples:**

1. Set the output to toggle mode:

**3** **0** **#**

2. Set the output to 60 seconds:

**3** **60** **#**

## Programming Built-In Notification Sounds, LED, and Backlight:

The keypad notification sounds, LED, and backlight may be disabled. Setting the keypad notification sounds affects all sounds from the keypad, including keypad presses, successful card/code entry notifications, duress alarm, and wrong-code alarm. When programming, use the following general formula from within base programming mode (see "Enter and Exit Base Programming Mode," pg. 7):

**[7] [A] [#]**

**[7]** – Program Notification Sounds/LED/Backlight function code (LED will change to steady orange)

**[A]** – Enable/Disable Notification Sounds/LED/Backlight

### Enable/Disable Notification Sounds/LED/Backlight:

- **[0]** – Disable notification sounds
- **[1]** – Enable notification sounds (default)
- **[4]** – Disable LED
- **[5]** – Enable LED (default)
- **[6]** – Disable keypad backlight
- **[7]** – Enable keypad backlight (default)

### NOTES:

- Disabling the notification sounds affects only the internal sounds and not the external alarm output.
- The duress alarm and wrong-code alarm will trigger both the internal notification beep and the external alarm, depending on their settings.
- The **[#]** key returns you to base programming mode (the LED will flash red). Exit programming mode by pressing the **[\*]** key (see "Enter and Exit Base Programming Mode," pg. 7).

---

## Programming the External Alarm Output:

The external alarm sounds an external alarm when the tamper, duress, or wrong-code alarm (if enabled, see "Programming the Wrong-Code Lockout/Alarm," pg. 16) is triggered. To program, use the following formula in base programming mode (see "Enter and Exit Base Programming Mode," pg. 7):

**[5] [A] [#]**

**[5]** – Program Alarm function code (LED will change to steady orange)

**[A]** – Alarm Disable/Enable and Alarm Time

### Alarm Disable/Enable and Alarm Time:

- **[0]** – Disable alarm (factory default)
- **[1]** to **[3]** – Enable and set the alarm time, 1~3 minutes (factory default, 1 minute)

**NOTE:** The **[#]** key returns you to base programming mode (the LED will flash red). Exit programming mode by pressing the **[\*]** key (see "Enter and Exit Base Programming Mode," pg. 7).

### Examples:

- Disable the external alarm:  
**[5] [0] [#]**
- Enable the external alarm and set it to 2 minutes:  
**[5] [2] [#]**

## **Programming the Wrong-Code Lockout/Alarm:**

The device can be programmed to either lockout or sound an internal alarm after 10 successive wrong cards/codes. The lockout continues and the LED flashes red for 10 minutes and cannot be reset before then. The built-in notifications and external alarm sounds for the length of time set in the alarm settings (1~3 minutes, see notes below), or until stopped with a valid master programming code or user code. When programming the wrong code lockout, use the following general formula from within base programming mode (see "Enter and Exit Base Programming Mode," pg. 7):

**6** **A** **#**

**6** – Program Wrong-Code Lockout/Alarm function code (LED will change to steady orange)

**A** –Disable or Enable/Configure the Wrong-Code Lockout/Alarm

### **Disable or Enable/Configure Wrong-Code Lockout/Alarm:**

- **0** – Disable wrong-code lockout (factory default)
- **1** – Enable wrong-code lockout to deny access for 10 minutes
- **2** – Enable wrong-code alarm to sound the keypad notifications / external alarm

### **NOTES:**

- If wrong-code lockout is enabled, the LED will flash red and all access will be denied for 10 minutes after 10 successive wrong cards/codes.
- If wrong-code alarm is enabled, the LED will flash red and the built-in notifications (if enabled, see "Programming the Built-in Notification Sounds, LED, and Backlight," pg. 15) and external alarm (if enabled, see "Programming the External Alarm Output, pgs. 15~16) will sound and continue for the length of time programmed for the alarm or until a valid master programming code or user code is entered. This setting requires either or both the built-in notifications and external alarm output to be enabled and the alarm timing is set by the external alarm settings.
- The **#** key returns you to base programming mode (the LED will flash red). Exit programming mode by pressing the **\*** key (see "Enter and Exit Base Programming Mode," pg. 7).

### **Examples:**

1. Disable the wrong-code lockout:

**6** **0** **#**

2. Enable the wrong-code lockout to deny access for 10 minutes:

**6** **1** **#**

3. Enable the wrong-code alarm for the set time (disabled with a valid master code or user code/card):

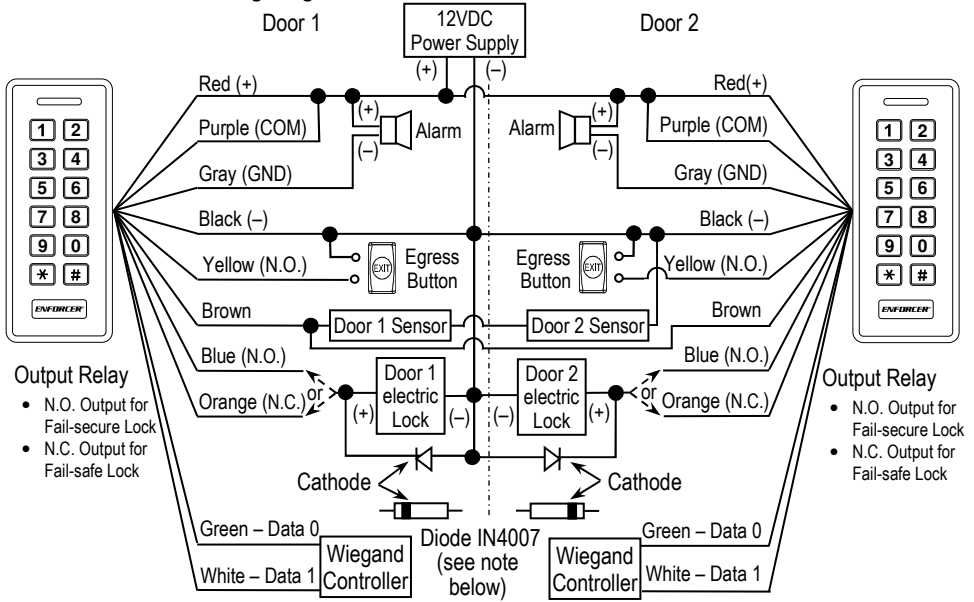
**6** **2** **#**



## Setting up a Two-Door Interlock System with Two Keypads:

In this application, two keypads are each connected to separate door locks and egress pushbuttons. While one door is open, the other cannot be opened.

### Two-Door Interlock Wiring Diagram:



**NOTE:** For DC-powered electric strikes, connect the included diode—with the cathode (striped end) toward the positive side—as close as possible and in parallel with the electric strike. This absorbs possible electromagnetic interference to prevent operation of the strike from damaging the keypad. Do not connect a diode when using electromagnetic locks or with AC powered strikes.

### Programming the Interlock System:

When programming the interlock system, use the following general formula from within base programming mode (see "Enter and Exit Base Programming Mode," pg. 7):

**[9] [A] [#]**

**[9]** – Program the Interlock System function code (LED will change to steady orange)

**[A]** – Disable or Enable the Interlock System

#### Disable or Enable the Interlock:

- **[0]** – Disable the interlock (factory default)
- **[1]** – Enable the interlock

**NOTE:** The **[#]** key returns you to base programming mode (the LED will flash red). Exit programming mode by pressing the **[\*]** key (see "Enter and Exit Base Programming Mode," pg. 7).

## Duplicating Users to Other Keypads:

User data can be duplicated from one keypad to other keypads (up to 10 at one time) that supports this function. All user data will be transferred to the second unit (taking about 3 minutes for 1,000 users), overwriting any existing user data.

Connect the keypads in parallel as shown in Fig. 1, all wires to the same corresponding color.

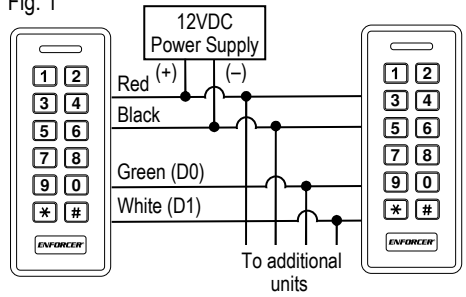
Make sure that both keypads have the same master programming code. To transfer user data, use the following general formula from within base programming mode on the main keypad containing the user data (see "Enter and Exit Base Programming Mode," pg. 7):

**9 6 #** – Initiate User Data Transfer function code (LED will change to steady orange)

### NOTES:

- All keypads must support the data transfer function and have the same master programming code.
- Any user data existing on the additional devices will be overwritten.
- When transfer is complete, a short beep will sound, the LED will flash green once and change to red.
- Exit programming mode by pressing the **\* #** key after transfer is complete.

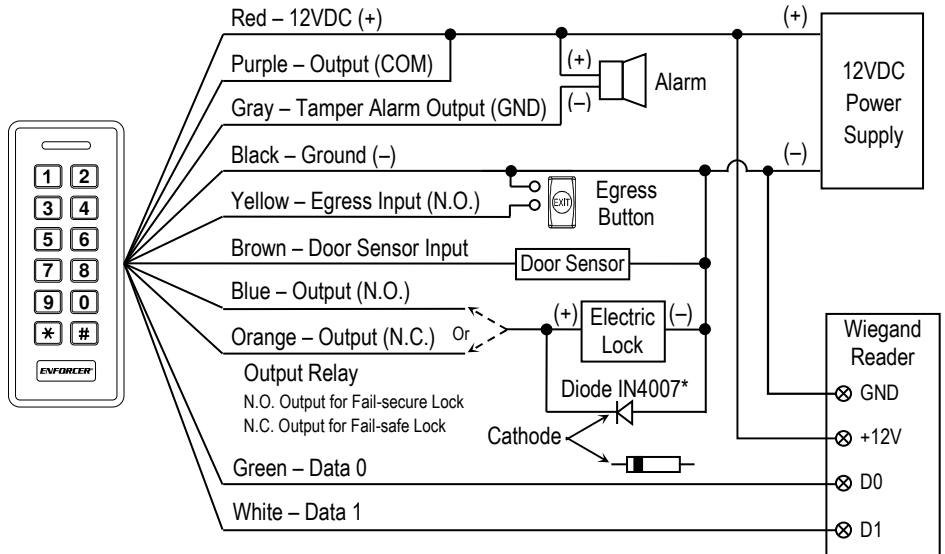
Fig. 1



## Wiegand Controller Mode:

The keypad can work as a controller connected to an external Wiegand reader.

### Wiegand Controller Mode Wiring Diagram:



**NOTE:** For DC-powered electric strikes, connect the included diode—with the cathode (striped end) toward the positive side—as close as possible and in parallel with the electric strike. This absorbs possible electromagnetic interference to prevent operation of the strike from damaging the keypad. Do not connect a diode when using electromagnetic locks or with AC powered strikes.

## Wiegand Controller Mode (Continued):

### Set Wiegand Input Bits/PIN Input Format:

Set the Wiegand input bits and format according to the output format of the external reader. To set the Wiegand input bits and the Wiegand PIN output format, use the following general formula from within base programming mode (see "Enter and Exit Base Programming Mode," pg. 7):

**8** **A A** **#**

**8** – Set Wiegand Input Bits/PIN Input Format function code (a short beep will sound and the LED will change to steady orange)

**A** – Wiegand Input Bits/PIN Input Format

### Wiegand Input Bits/PIN Input Format:

- **2 6** to **3 7** – Set Wiegand input bits (26~37, factory default, 26)
- **4**, **8**, or **1 0** – Set Wiegand PIN input format (4, 8, or 10, factory default, 4)

### NOTES:

- Basic programming is the same as in the stand-alone mode.
- If the external device is an EM card reader, users can be added/deleted on either device. If the external device is an HID or Mifare reader, users can only be added/deleted on the external reader.
- The **#** key returns you to base programming mode (the LED will flash red). Exit programming mode by pressing the **\*** key (see "Enter and Exit Base Programming Mode," pg. 7).

## Wiegand Reader Mode:

The keypad can work as a standard Wiegand reader, connected to an external controller. Be sure to set the keypad operation mode to Wiegand reader mode (see "Setting the Keypad Operation Mode," pg. 8).

Connect the keypad to the controller as shown in the wiring diagram on the right.

### NOTES:

- The reader will override most controller settings.
- The brown wire will control the LED. When its voltage is low, the LED will become green.
- The yellow wire will control the internal buzzer. When its voltage is low, the buzzer will sound.

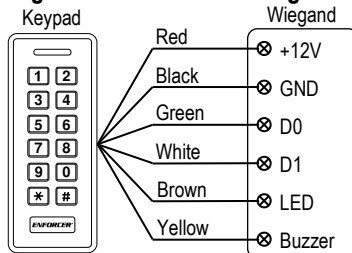
### Set Wiegand Output Bits/Format:

Set the Wiegand output bits/format according to the input format of the controller. To set, use the same formula as used for setting the Wiegand input bits/format (See, "Set Wiegand Input Bits/Format," above).

## Troubleshooting:

- |  |   |
|--|---|
| Unit fails to accept a new user/duress code/card     | • Ensure the User ID assigned is between 0 and 997 for users and either 998 or 999 for duress codes/cards |
| Unit fails to respond to a programmed user code/card | • Ensure the user code is between 4~6 digits long and not already assigned to another user                |
|  | • Ensure the unit is in standby mode by pressing the <b>#</b> key until the LED becomes steady red        |

### Wiegand Reader Mode Wiring



# ENFORCER Outdoor Stand-Alone/Wiegand Keypad with Proximity Reader

## Resetting to Factory Default and Programming Add/Delete Cards:

The keypad must be connected to a Request-to-Exit (RTE) button to be reset to factory default settings. When resetting to factory default, user information is retained. You may also program new Master Add and Master Delete Card if they are lost. To reset the keypad to factory default settings, follow steps 1-4 below. To also program new Master Add and Master Delete cards, follow steps 1-3 and 5 below.

**NOTE:** Programming new Master Add and Master Delete cards will delete the previous Master Add and Master Delete cards.

1. Power off the keypad
2. Hold down the egress button and power the keypad on, continuing to hold down the egress button for approximately 10 seconds until you hear 2 beeps and the LED turns orange.
3. Release the egress button.
4. If you only need to reset the keypad to factory default, wait until the LED changes to red (about 30 seconds) indicating that the reset has completed successfully.
5. If you need to program new Master Add and Master Delete Cards, within 30 seconds, read two cards. The first will become the Master Add Card, and the second the Master Delete Card. The LED will change to red indicating that the reset has completed successfully.

## Additional Accessories Available from SECO-LARM®:

### PR-K1K1-AQ

Proximity key fobs  
(sold in packs of 10)



### PR-K1S1-A

Proximity cards  
(sold in packs of 10)



### FCC COMPLIANCE STATEMENT

### FCC ID: K4E2612SPQ

THIS DEVICE COMPLIES WITH PART 15 OF THE FCC RULES. OPERATION IS SUBJECT TO THE FOLLOWING TWO CONDITIONS: (1) THIS DEVICE MAY NOT CAUSE HARMFUL INTERFERENCE AND (2) THIS DEVICE MUST ACCEPT ANY INTERFERENCE RECEIVED, INCLUDING INTERFERENCE THAT MAY CAUSE UNDESIRABLE OPERATION.

Notice: The changes or modifications not expressly approved by the party responsible for compliance could void the user's authority to operate the equipment.

IMPORTANT NOTE: To comply with the FCC RF exposure compliance requirements, no change to the antenna or the device is permitted. Any change to the antenna or the device could result in the device exceeding the RF exposure requirements and void user's authority to operate the device.

**IMPORTANT WARNING:** For a weather-resistant installation, ensure that the unit is properly sealed where the housing base meets the wall. Incorrect mounting may lead to exposure to rain or moisture in the enclosure which could cause a dangerous electric shock, damage the device, and void the warranty. Users and installers are responsible for ensuring that this product is properly installed and sealed.

**IMPORTANT:** Users and installers of this product are responsible for ensuring that the installation and configuration of this product complies with all national, state, and local laws and codes. SECO-LARM will not be held responsible for the use of this product in violation of any current laws or codes.

**California Proposition 65 Warning:** These products may contain chemicals which are known to the State of California to cause cancer and birth defects or other reproductive harm. For more information, go to [www.P65Warnings.ca.gov](http://www.P65Warnings.ca.gov).

**WARRANTY:** This SECO-LARM product is warranted against defects in material and workmanship while used in normal service for one (1) year from the date of sale to the original customer. SECO-LARM's obligation is limited to the repair or replacement of any defective part if the unit is returned, transportation prepaid, to SECO-LARM. This Warranty is void if damage is caused by or attributed to acts of God, physical or electrical misuse or abuse, neglect, repair or alteration, improper or abnormal usage, or faulty installation, or if for any other reason SECO-LARM determines that such equipment is not operating properly as a result of causes other than defects in material and workmanship. The sole obligation of SECO-LARM and the purchaser's exclusive remedy, shall be limited to the replacement or repair only, at SECO-LARM's option. In no event shall SECO-LARM be liable for any special, collateral, incidental, or consequential personal or property damage of any kind to the purchaser or anyone else.

**NOTICE:** The SECO-LARM policy is one of continual development and improvement. For that reason, SECO LARM reserves the right to change specifications without notice. SECO-LARM is also not responsible for misprints. All trademarks are the property of SECO-LARM U.S.A., Inc. or their respective owners. Copyright © 2022 SECO-LARM U.S.A., Inc. All rights reserved.

## SECO-LARM® U.S.A., Inc.

16842 Millikan Avenue, Irvine, CA 92606  
Phone: (949) 261-2999 | (800) 662-0800

Website: [www.seco-larm.com](http://www.seco-larm.com)  
Email: [sales@seco-larm.com](mailto:sales@seco-larm.com)

 PICSNS

ML\_SK-2612-SPQ\_220727.docx