

Indoor Illuminated Keypad with Proximity Reader

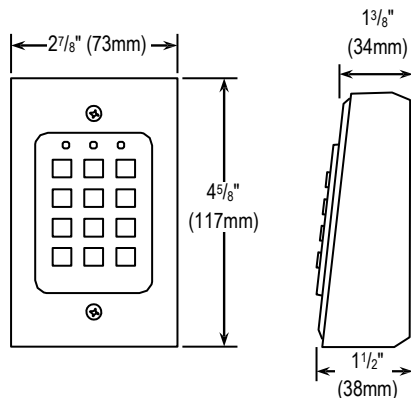
SK-1131-SPQ Prox. Card Reader, 1,200 Users

Features:

- Built-in proximity reader. 125kHz(EM125)
- 4 Available programmable access modes for all 3 outputs: card only, code only, card and common user code, card and unique user code
- 1,200 Users over 3 Outputs. Codes may be 4-8 digits:
 - Output #1 – Form C relay, 1A@30VDC, 1,000 users
 - Output #2 – Form C relay, 1A@30VDC, 100 users
 - Output #3 – Transistor ground, 100mA@24VDC, 100 users
- Outputs can be programmed to activate for up to 99,999 seconds (nearly 28 hours)
- Super user code gives admin access to keypad
- Up to 50 (01-50) possible temporary visitor codes, which can be programmed for one-time or limited-time use (1-99 hours)
- Programmable egress input with optional warning alarm and delayed egress
- Real-time clock to auto-disable access at specific times
- Up to 50 (01-50) duress codes for output #1, 10 (01-10) for output #2, 10 (01-10) for output #3
- Duress code signals a silent alarm if an authorized user is forced to open the door under duress
- 12-24 VDC/VAC Auto-adjusting operation
- All features are programmed directly from the keypad: No need for an external programmer
- Indoor keypad
- Mounts to a standard single-gang back box (surface-mount back box included)
- Durable and attractive stainless steel faceplate
- Tamper output: N.C. Dry contact, 50mA@24VDC max.
- Illuminated keypad with programmable status LEDs
- Keypad illuminates when a button is pressed; backlight can be programmed for FULL, AUTO, or OFF in standby mode
- Mantrap: for a protected area with two doors, this feature allows only one door to be open at a time
- Door sensor input for anti-tailgating operation
- Door-propped-open warning
- Door-forced-open warning
- Door open warning and alarm
- EEPROM Memory protects programmed information in case of power loss



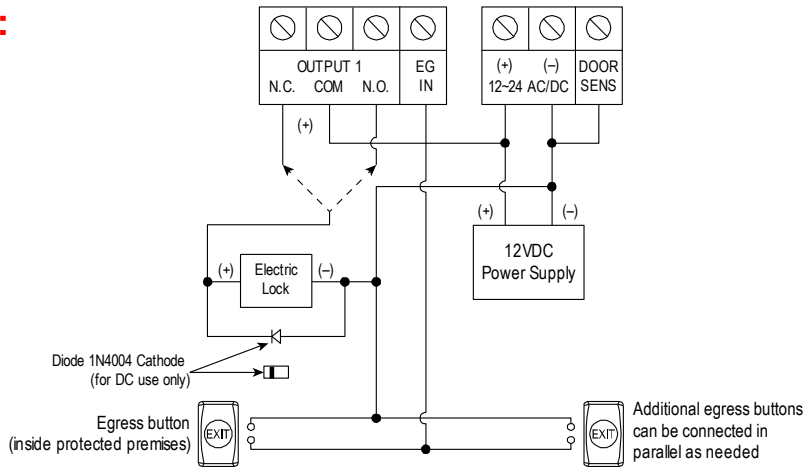
Dimensions:



Specifications:

Operating voltage		12-24 VDC/VAC
Current draw (at 12VDC)	Standby	66mA
	Total max current draw	160mA
Outputs	#1 – Form C	1A@30VDC
	#2 – Form C	1A@30VDC
	#3 – Transistor ground	100mA@24VDC
	K or A	100mA@24VDC
	Duress	100mA@24VDC
	Interlock	100mA@24VDC
	Tamper	50mA@24VDC
Inputs	Egress	N.O. Ground
	Door sense	N.C. Ground
	Door inhibit	N.O. Ground
Proximity reader frequency		125kHz (EM125)
Proximity reader sensing distance		1 1/2" (38mm)
Operating temperature		-4°~158° F (-20°~70° C)
Operating humidity		5~95% Non-condensing
Dimensions (including back box)		4 5/8" x 2 7/8" x 1 1/2" (117x73x38 mm)
Weight		6-oz (170g)

Sample Wiring:



Status Buzzer and LEDs:

Red LED

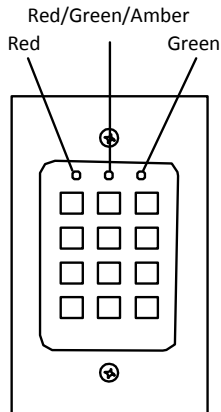
No predetermined function.
May be wired as needed.

Red / Green / Amber LED

Flashes to show the keypad status.

Green LED

No predetermined function.
May be wired as needed.



LED Indicators

	Red LED (Left)	Red/Green/Amber LED (Center)	Green LED (Right)
Steady	Available for free connections	Programming mode (green) Output #1 inhibited (red)	Available for free connection
Flashing	-	Standby mode (green) Inhibit mode paused (red/amber) Keypad locked (red/amber)	-

Keypad Sounds and LEDs

Status	Sounds ⁽¹⁾	Red/Green/Amber LED (Center)
In programming mode	-	Steady ON
Successful key entry	1 Beep	1 Flash
Successful code/card entry	2 Beeps	2 Flashes
Unsuccessful code/card entry	5 Beeps	-
Power up delay	Continuous beeping	Continuous flashing
Output relay activation ⁽²⁾	1-Sec long beep	-
In Standby mode ⁽³⁾	-	1 Flash/sec
System refresh mode	2 Beeps	Fast flashing for 2.5 min
Card/code Already stored	1 Long beep	-
Real time clock stopped after power loss	Continuous 2 fast beeps every 5 seconds	-

Also Available from SECO-LARM:

SK-1123-SPQ

Vandal Resistant Outdoor Access Control
Keypad with Proximity Card Reader

- Weatherproof
- 1,100 Users
- 2 Relays
- Surface-mount



SK-2323-SDQ

Mullion-Style Keypad

- Weatherproof
- 1,010 Users
- 2 Relays
- Proximity reader available



SK-1323-SDQ

Sealed-Housing Keypad

- Weatherproof
- 1,010 Users
- 2 Relays
- Proximity reader available



SK-1123-FQ

Flush-Mount Outdoor Access Keypad

- Weatherproof
- 110 Users
- 2 Relays
- Flush-mount



SK-1011-SDQ

Access Control Keypad

- 1,000 Users
- 1 Relay



Proximity Cards or Keyfobs

(Sold in packs of 10)



PR-K1S1-A

PR-K1K1-AQ