

# Vandal Resistant Outdoor Access Control Keypad

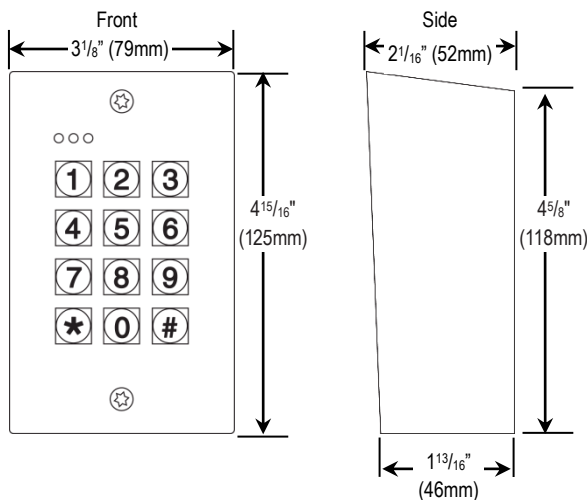
**SK-1123-SDQ** 1,100 Users

### Features:

- 1,100 Users over 2 Outputs. Codes may be 4~8 digits:
  - Output #1 – Form C relay, 1A@30VDC, 1,000 users
  - Output #2 – Form C relay, 1A@30VDC, 100 users
- Outputs can be programmed to activate for up to 99,999 seconds (nearly 28 hours)
- Super user code gives admin access to keypad
- Up to 50 (01~50) possible temporary visitor codes, which can be programmed for one-time or limited-time use (1~99 hours)
- Programmable egress input with optional warning alarm and delayed egress
- Real-time clock to auto-disable access at specific times
- Up to 50 (01~50) duress codes for output #1 and 10 (01~10) for output #2
- Duress code signals a silent alarm if an authorized user is forced to open the door under duress
- 12~24 VDC/VAC Auto-adjusting operation
- All features are programmed directly from the keypad: No need for an external programmer
- IP66 Weatherproof Rating
- Mounts to a standard single-gang back box (surface-mount back box included)
- Durable and attractive stainless steel faceplate
- Tamper output: N.C. Dry contact, 50mA@24VDC max.
- Keypad illuminates when a button is pressed; backlight can be programmed for FULL, AUTO, or OFF in standby mode
- Mantrap: for a protected area with two doors, this feature allows only one door to be open at a time
- Door sensor input for anti-tailgating operation
- Door-propped-open warning
- Door-forced-open warning
- EEPROM Memory protects programmed information in case of power loss



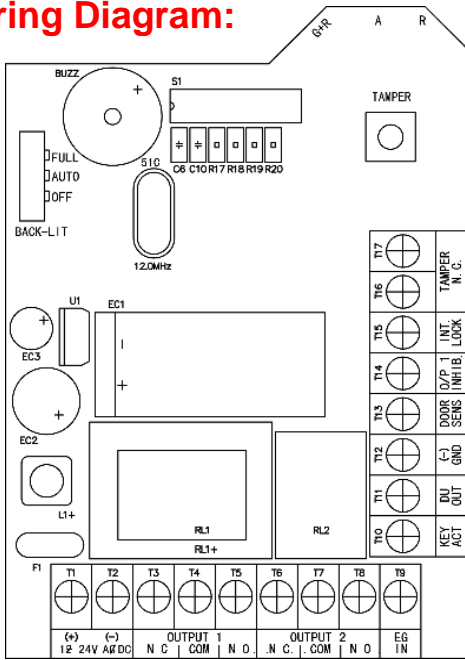
### Dimensions:



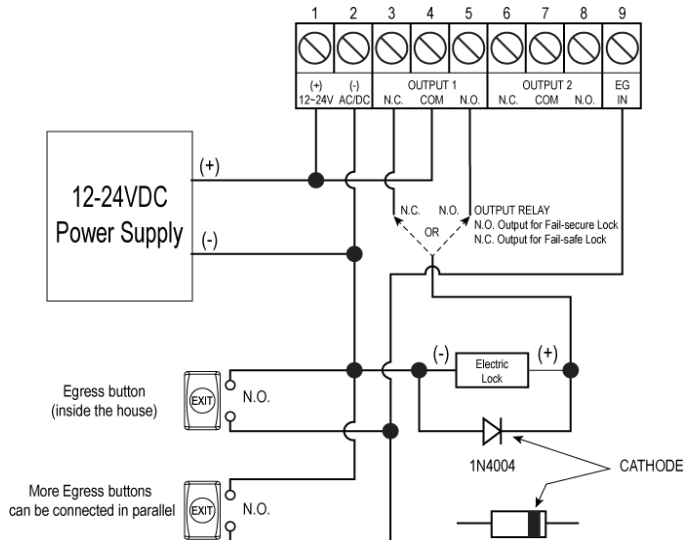
### Specifications:

<b>Operating voltage</b>		12-24 VDC/VAC
<b>Current draw (at 12VDC)</b>	<b>Standby</b>	66mA
	<b>Keypress</b>	93mA
	<b>Output 1 active</b>	99mA
	<b>Output 1 &amp; 2 active</b>	126mA
	<b>Total max current draw</b>	160mA
<b>Outputs</b>	<b>#1 – Form C</b>	1A@30VDC
	<b>#2 – Form C</b>	1A@30VDC
	<b>Key Active</b>	100mA@24VDC
	<b>Duress</b>	100mA@24VDC
	<b>Interlock</b>	100mA@24VDC
	<b>Tamper</b>	50mA@24VDC
<b>Inputs</b>	<b>Egress</b>	N.O. Ground
	<b>Door sensor</b>	N.C. Ground
	<b>Door inhibit</b>	N.O. Ground
<b>Operating temperature</b>		-4°~158° F (-20°~70° C)
<b>Operating humidity</b>		5~95% Non-condensing
<b>Dimensions (including back box)</b>		4 5/16" x 3 1/8" x 2 1/16" (125x79x52 mm)
<b>Weight</b>		1-lb, 2-oz (520g)

## Wiring Diagram:



## Sample Application (Door Lock):



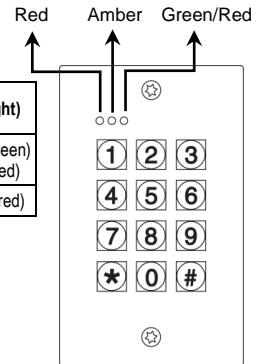
## Status Buzzer and LEDs:

### Keypad Sounds and LEDs

Status	Sounds	Amber LED (Center)
In programming mode	-	Steady ON
Successful key entry	1 Beep	1 Flash
Successful code/card entry	2 Beeps	2 Flashes
Unsuccessful code/card entry	5 Beeps	5 Flashes
Power up delay	Continuous beeping	Continuous flashing
Output relay activation	1-Sec long beep	-
In Standby mode	-	1 Flash/sec
System refresh mode	2 Beeps	Fast flashing for 2.5 min
Card/code Already stored	1 Long beep	-
Real time clock stopped after power loss	Continuous 3 fast beeps every 5 seconds	-

### LED Indicators

	Red LED (Left)	Amber LED (Center)	Green/Red LED (Right)
Steady	Output #2 Activated	Programming mode	Output #1 activated (green) Output #1 inhibited (red)
Flashing	-	Standby mode	Inhibit mode paused (red)



## Also Available from SECO-LARM:

### SK-1131-SPQ

Indoor Illuminated Keypad with Proximity Card Reader

- Weatherproof
- 1,200 Users
- 3 Relays
- Surface-mount



### SK-2323-SPQ

Mullion-Style Keypad

- Weatherproof
- 1,010 Users
- 2 Relays
- Proximity reader available



### SK-1323-SPQ

Sealed-Housing Keypad

- Weatherproof
- 1,010 Users
- 2 Relays
- Proximity reader available



### SK-1123-FQ

Flush-Mount Outdoor Access Keypad

- Weatherproof
- 110 Users
- 2 Relays
- Flush-mount



### SK-1011-SDQ

Access Control Keypad

- 1,000 Users
- 1 Relay



### Proximity Cards or Keyfobs

(Sold in packs of 10)



PR-K1S1-A



PR-K1K1-AQ

## SECO-LARM® U.S.A., Inc.

16842 Millikan Ave, Irvine, CA 92606

Phone: (949) 261-2999 | (800) 662-0800 Fax: (949) 261-7326

Website: [www.seco-larm.com](http://www.seco-larm.com) Email: [sales@seco-larm.com](mailto:sales@seco-larm.com)



Copyright 2016 © SECO-LARM U.S.A. Inc. All rights reserved. All trademarks are the property of SECO-LARM U.S.A., Inc. or their respective owners. The SECO-LARM policy is one of continual development. For that reason, SECO-LARM reserves the right to change prices and specifications without notice. SECO-LARM is not responsible for misprints.

SECO-LARM® ENFORCER® CRIMEBUSTER® CBA SLI®

PI\_SK-1123-SDQ\_160217.docx