

Vandal Resistant Flush-Mount Access Control Keypad

SK-1123-FDQ 1,100 Users, 12~24 VAC/VDC, 2 Outputs

Features:

- 12~24 VAC/VDC auto-adjusting operation
- Up to 1,000 possible user codes (000~999) programmable for output #1 and 100 (001~100) for output #2
- Up to 50 (01~50) possible temporary visitor codes, which can be programmed for one-time or limited-time use (1~99 hours)
- Output #1: Form C relay, 1A@30VDC max.
- Output #2: Transistor ground, 100mA@24VDC
- Outputs #1 and #2 can be programmed to activate for up to 99,999 seconds (nearly 28 hours)
- Tamper output: N.C. Dry contact, 50mA@24VDC max.
- Mounts to standard single-gang back box
- IP66 Weatherproof rating
- Keypad illuminates when a button is pressed; backlight can be programmed for FULL or AUTO in standby mode
- All features are programmed directly from the keypad: No need for an external programmer
- EEPROM Memory protects programmed information in case of power loss
- Up to 50 (01~50) duress codes for output #1, 10 (01~10) for output #2
- Duress code signals a silent alarm if an authorized user is forced to open the door under duress
- Egress input lets users exit the premises without keying in the code
- Door sensor input for anti-tailgating operation
- Interlocking input for connecting to a second keypad

SUPER
User
Code

12~24
VAC/VDC

Real
Time
Clock

2
Outputs

50
Visitor
Codes

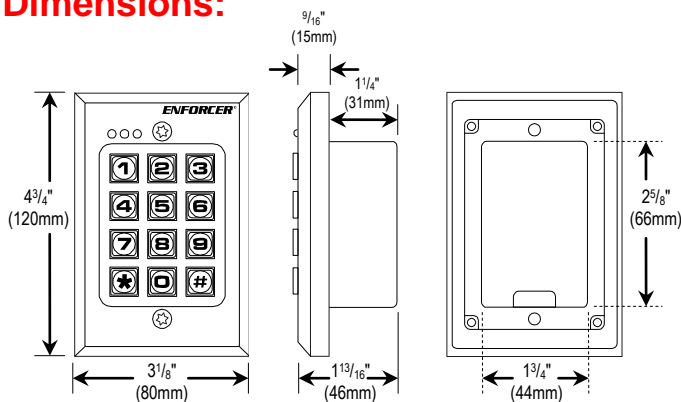
1,100
User
Codes

Smart
Egress

IP66
Weather-
proof



Dimensions:



Specifications:

Operating voltage	12~24 VAC/VDC	
Current draw (at 12VDC)	Standby*	15mA
	Keypress	40mA
	Output 1 active	65mA
	Output 1 & 2 active	66mA
	Total max current draw	100mA
Outputs	#1 – Form C	1A@30VDC
	#2 – Transistor Ground	100mA@24VDC
	Duress	100mA@24VDC
	Interlock	100mA@24VDC
	Tamper	50mA@24VDC
Inputs	Egress	N.O. Ground
	Door sensor	N.C. Ground
	Door Inhibit	N.O. Ground
Operating Temperature	-4°~158° F (20°~70° C)	
Operating humidity	5~95% Non-condensing	
IP Rating	IP66	
Dimensions	4 3/4"x3 1/8"x1 13/16" (120x80x46 mm)	
Weight	16.2-oz (460g)	

*Keypad LED off

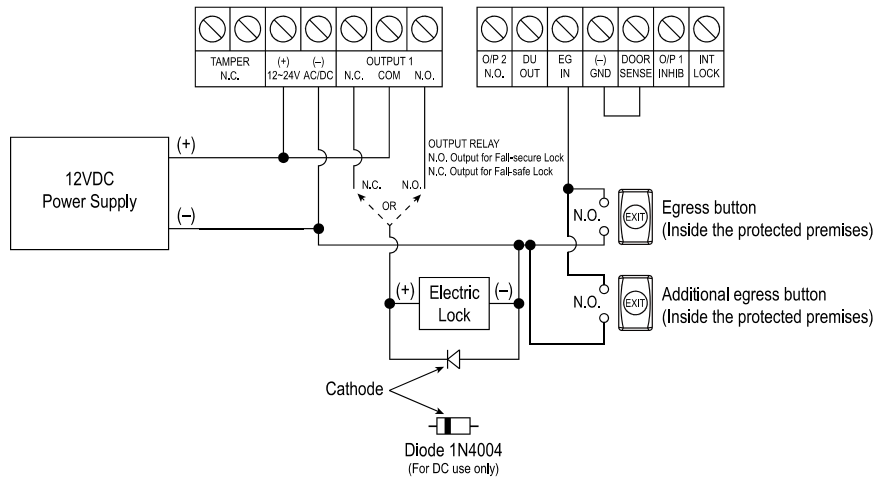
SECO-LARM® U.S.A., Inc.

16842 Millikan Avenue, Irvine, CA 92606

Phone: (949) 261-2999 | (800) 662-0800 Fax: (949) 261-7326

Website: www.seco-larm.com Email: sales@seco-larm.com

Sample Application:



Also Available from SECO-LARM:

Indoor Illuminated Keypad with Proximity Card Reader

SK-1131-SPQ



- Weatherproof
- 1,200 Users
- 3 Relays
- Surface-mount

Mullion-Style Keypad

SK-2323-SPQ



- Weatherproof
- 1,010 Users
- 2 Relays
- Proximity reader available

Sealed-Housing Keypad

SK-1323-SPQ



- Weatherproof
- 1,010 Users
- 2 Relays
- Proximity reader available

Surface-Mount Outdoor Access Keypad

SK-1123-SPQ



- Weatherproof
- 1,100 Users
- 2 Relays
- Surface-mount
- Built-in Proximity card reader

Surface-Mount Outdoor Access Keypad

SK-1123-SDQ



- Weatherproof
- 1,100 Users
- 2 Relays
- Surface-mount

Access Control Keypad

SK-1011-SDQ



- 1,000 Users
- 1 Relay