

# SECO-LARM®

## SD-997C-GCQ

### Electric Deadbolt Cabinet Lock

### Manual



#### Features:

- Electronically secure lockers, cabinets, cases, and drawers
- Lock status sensor allows for monitoring whether doors or drawers are locked
- Selectable fail-safe/fail-secure operation
- Operating voltage: 12/24 VDC
- Current draw: 300mA@12VDC, 150mA@24VDC
- Mounting hardware included

# SECO-LARM Electric Deadbolt Cabinet Lock

## Introduction:

The SECO-LARM Electric Deadbolt Cabinet Lock contains on-site reversible fail-safe/fail-secure operation and dual voltage settings, allowing for secure installation for lockers, cabinets, cases and drawers. The built-in lock status sensor allow for monitoring whether the cabinet doors are locked.

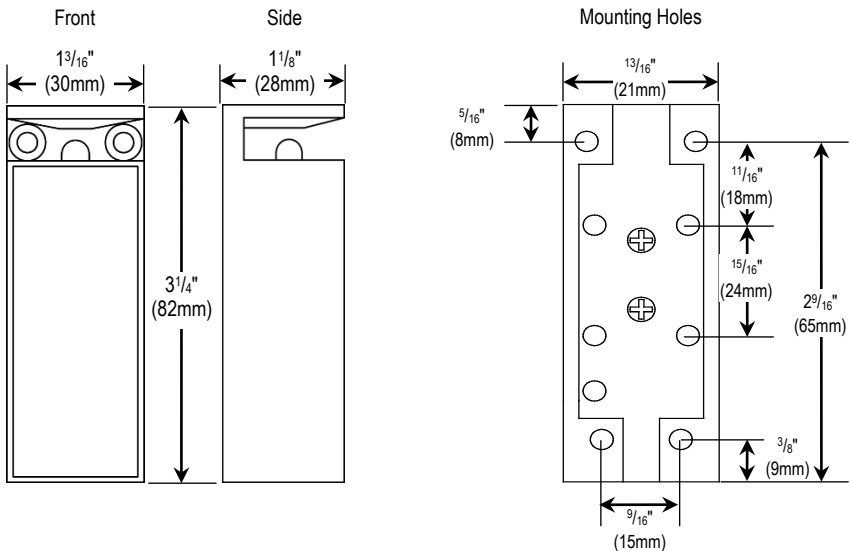
## Specifications:

<b>Model</b>	<b>SD-997C-GCQ</b>	
<b>Operation</b>	Fail-safe/Fail-secure	
<b>Operating voltage</b>	12/24 VDC	
<b>Current</b>	<b>12VDC</b>	300mA
<b>Draw</b>	<b>24VDC</b>	150mA
<b>Contact switch</b>	NO/NC	
<b>Lock status</b>	Micro-switch	
<b>Lock status rating</b>	1A@30VDC	
<b>Dimensions</b>	3 <sup>1</sup> / <sub>4</sub> "x1 <sup>3</sup> / <sub>16</sub> "x1 <sup>1</sup> / <sub>8</sub> " (82x30x28 mm)	

## Parts List:

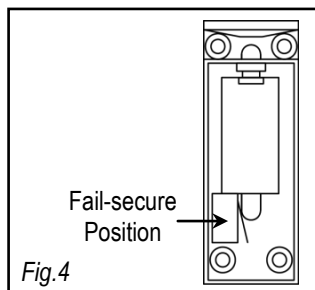
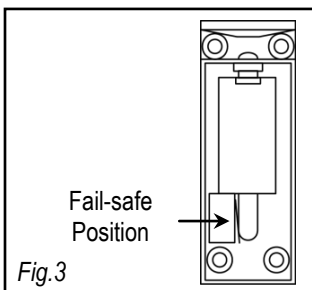
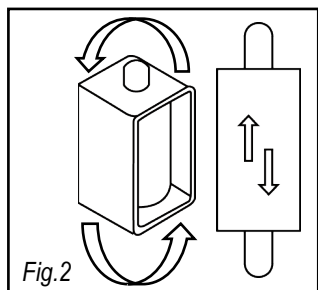
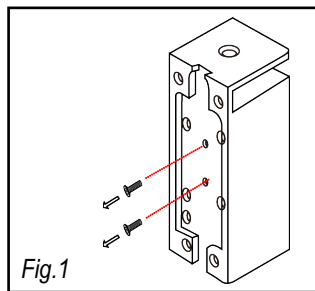
1x Cabinet lock body	1x Lock plate	1x Manual
7x 1" Wood screws	1x Stainless steel cover	

## Overview:



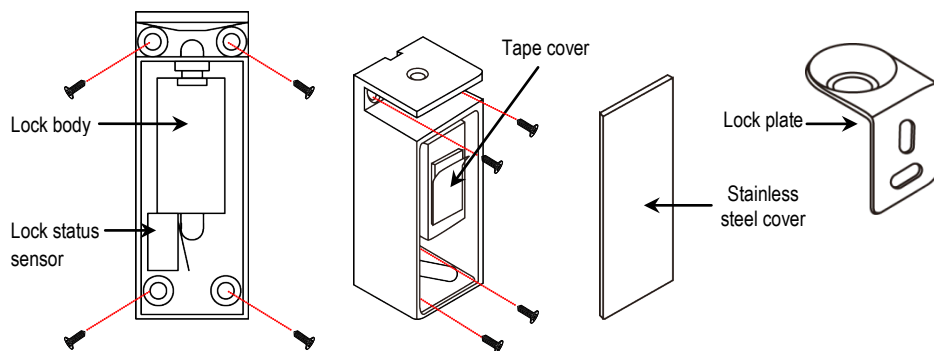
**Selecting Fail-safe/Fail-secure Operation:**

1. Remove the 2 holding screws from the back of the lock body (fig.1).
2. Remove the lock body and the wires from the solenoid.
3. Reverse the solenoid direction (fig.2) to either match the proper fail-safe (fig.3) or fail-secure position (fig.4).
4. Put the wires back through the access hole.
5. Replace the screws.



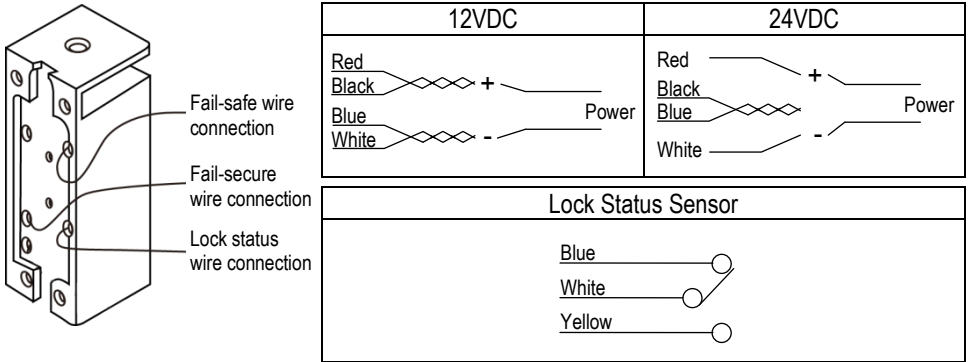
**Installation:**

1. Set the cabinet lock to either fail-safe or fail-secure by removing the solenoid and reversing its direction if needed (see "Selecting Fail-safe/Fail-secure Operation" above).
2. Mount the cabinet lock body. For positioning of mounting holes, refer to "Overview" dimensions and diagrams (page 2).
3. Determine the location of the lock plate, ensuring that the hole in the lock plate aligns with the deadbolt. Install the lock plate with 2 included screws. Check alignment and adjust if necessary.
4. For wiring instructions, see "Wiring Connections and Diagram" (page 4).
5. Remove the tape cover and apply the stainless steel cover onto the adhesive tape (Ensure that the cover is clean and free of oil or dirt before applying).

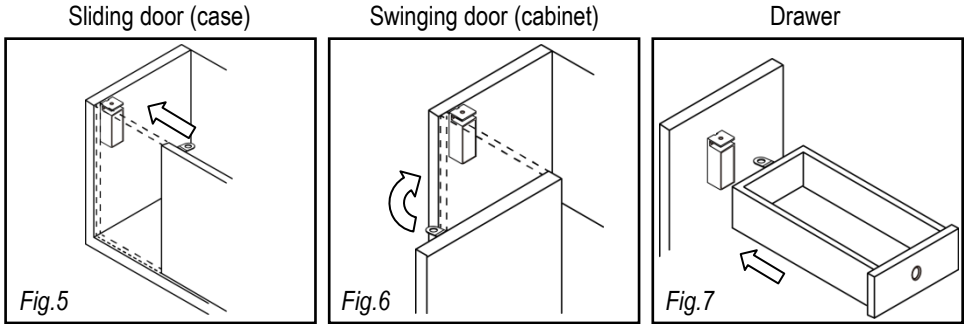


# SECO-LARM Electric Deadbolt Cabinet Lock

## Wiring Connections and Diagram:



## Sample Applications:



**LIMITED WARRANTY:** This SECO-LARM product is warranted against defects in material and workmanship while used in normal service for one (1) year from the date of sale to the original customer. SECO-LARM's obligation is limited to the repair or replacement of any defective part if the unit is returned, transportation prepaid, to SECO-LARM. This Warranty is void if damage is caused by or attributed to acts of God, physical or electrical misuse or abuse, neglect, repair or alteration, improper or abnormal usage, or faulty installation, or if for any other reason SECO-LARM determines that such equipment is not operating properly as a result of causes other than defects in material and workmanship. The sole obligation of SECO-LARM and the purchaser's exclusive remedy, shall be limited to the replacement or repair only, at SECO-LARM's option. In no event shall SECO-LARM be liable for any special, collateral, incidental, or consequential personal or property damage of any kind to the purchaser or anyone else.

**NOTICE:** The information and specifications printed in this manual are current at the time of publication. The SECO-LARM policy is one of continual development and improvement. For that reason, SECO-LARM reserves the right to change specifications without notice. SECO-LARM is not responsible for misprints. Trademarks are the property of SECO-LARM USA Inc. or their respective owners.

Copyright © 2016 SECO-LARM U.S.A., Inc. All rights reserved. This material may not be reproduced or copied, in whole or in part, without the written permission of SECO-LARM.

## SECO-LARM® U.S.A., Inc.

16842 Millikan Avenue, Irvine, CA 92606  
 Phone: (949) 261-2999 | (800) 662-0800

Website: [www.seco-larm.com](http://www.seco-larm.com)  
 Email: [sales@seco-larm.com](mailto:sales@seco-larm.com)



ML\_SD-997C-GCQ\_160412.docx