

SECO-LARM®

SD-997B-1SQ

Mini Surface-Mount Deadbolt

Manual



Features:

- Fail-safe operation (unlocks if power is lost)
- Surface-mount design for easy installation
- Magnetic switch senses door position for positive locking
- Aluminum alloy bolt, $15/32$ " (12.7mm) diameter, $9/16$ " (14mm) throw
- Automatically relocks 6 seconds after the lock is unlocked if the door is not opened
- Door open/close monitor (NC/COM)
- Lock delay timer adjustable between 0 and 3 seconds
- Use with an optional digital keypad for high security without a key
- Powered by a solenoid
- Status LED indicates when the lock is engaged

SECO-LARM Mini Surface-Mount Deadbolt

Introduction:

The SECO-LARM Mini Surface-Mount Electric Deadbolt is designed for hollow metal door frames and solid wooden door frames. Its small size makes it easy to add secure, electrical locking to small doors.

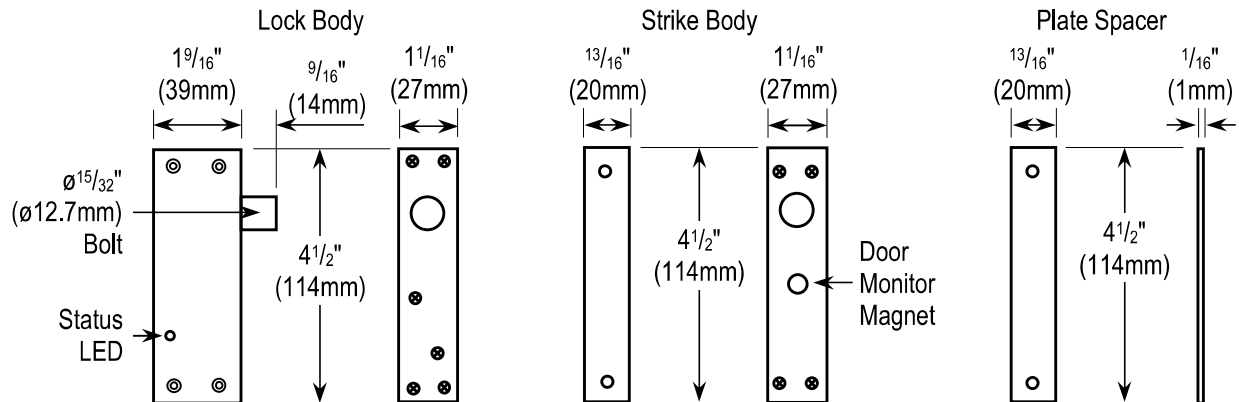
Parts List:

1x Lock body	1x 5-pin connector	2x Plate spacers
1x Strike body	6x Mounting screws (M4x45mm)	6x Screw cover stickers
1x Manual		

Specifications:

Operation	Fail-Safe	
Operating voltage	12VDC	
Current draw	Standby	237mA@12VDC max.
	Active	650mA@12VDC max.
Status sensor	250mA@30VDC (NC/COM)	
Adjustable delay timer	0/3 secs.	
Operating temperature	32°~158° F (0°~70° C)	
Weight	1-lb 2.5-oz (450g)	

Overview:



Installation:

1. Determine where the deadbolt will be mounted (see Possible Mounting Locations, pg. 3).
2. Adjust the wire output direction and lock delay time based on the selected application (see Adjusting the Lock Delay Time / Wire Output Direction, pg. 3).

Adjust the wire output direction:

- a. Unscrew the two lock body screws and remove the cover of the lock body
- b. Remove the wire grommet from the lock body and insert the wires of the 5-pin connector into the grommet.
- c. Plug the 5-pin male connector into the 5-pin socket and adjust the desired wire output direction.

Adjust the lock delay time:

- a. The default lock delay time is 3 seconds. To remove the delay time, remove the jumper.
3. Use the screw holes of the lock body and strike body as templates and mark the locations of the screws with a pencil.
 4. Secure the lock body and strike body with the six included screws. Use four screws for the lock body and two screws for the strike body. Cover the screw heads with the provided screw cover stickers.

NOTE: If there is a gap between the lock body and the strike body, use the included plate spacers to correct the alignment (see Using the Plate Spacers, pg. 3).

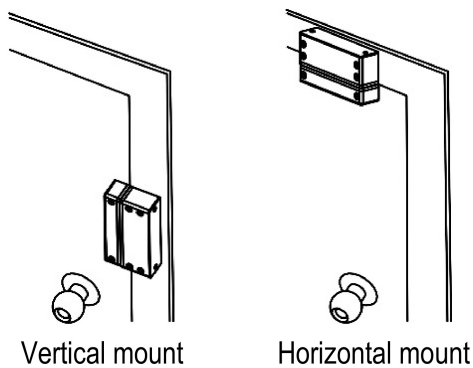
Installation (continued):

5. Connect the wires and insulate them (see Wiring Diagram below).
 - a. Red – Power input (+)
 - b. Brown – Power input (-)
 - c. Green – Control wire (-) ground to release bolt
 - d. Blue – Door monitor, COM
 - e. Purple – Door monitor, N.C. (active when door closed) ∅

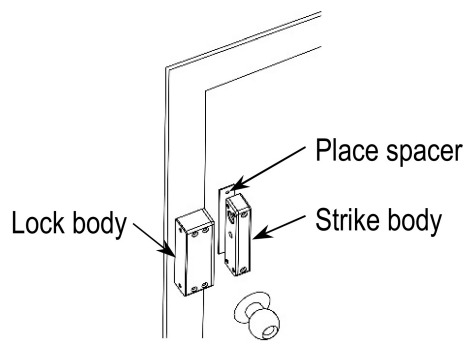
WARNING:

- Correct polarity of the red and brown wires is critical. Incorrect polarity will burn out the solenoid.
- Do not connect a voltage input on the green wire otherwise it will damage the unit.
- Maximum distance between lock body and strike body must not exceed 1/4" (6mm).

Possible Mounting Locations:



Using the Plate Spacers:



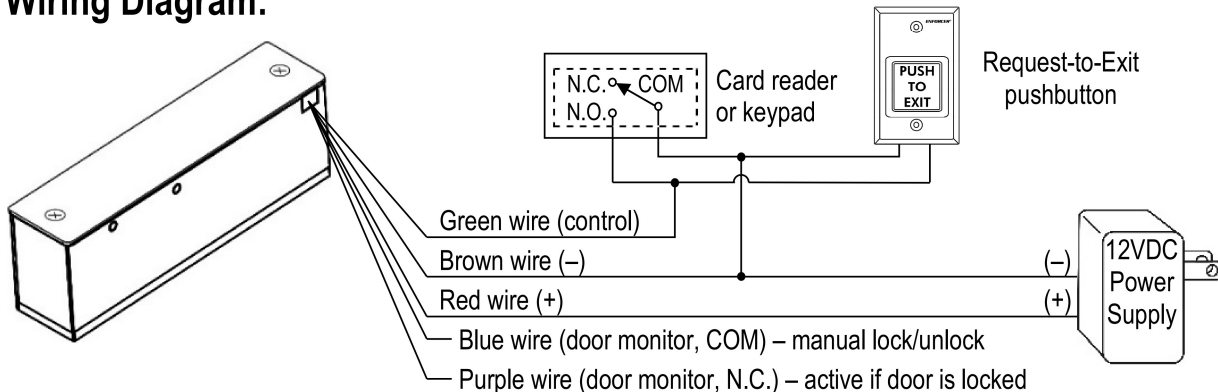
Adjusting the Lock Delay Time / Wire Output Direction:

Jumper	Delay Time
	3s (default)
	0s

Adjust wire grommet for different wire output direction

OR

Wiring Diagram:



SECO-LARM Mini Surface-Mount Deadbolt

Troubleshooting:

Deadbolt does not activate when the door closes	<ul style="list-style-type: none">• Make sure the sensor in the lock body is not too far from the magnet in the strike body• Adjust the strike body or lock body positioning• Use the included shims to bring the lock body and strike body closer together
Deadbolt activates when the door is closed, but does not lock the door	<ul style="list-style-type: none">• Make sure the deadbolt is going into the strike body properly
How to reset the unit	<ul style="list-style-type: none">• Ground the green wire momentarily

California Proposition 65 Warning: These products may contain chemicals which are known to the State of California to cause cancer and birth defects or other reproductive harm. For more information, go to www.P65Warnings.ca.gov.

IMPORTANT: Users and installers of this product are responsible for ensuring this product complies with all national, state, and local laws and statutes related to monitoring and recording audio and video signals. SECO-LARM will not be held responsible for the use of this product in violation of any current laws or statutes.

WARRANTY: This SECO-LARM product is warranted against defects in material and workmanship while used in normal service for one (1) year from the date of sale to the original customer. SECO-LARM's obligation is limited to the repair or replacement of any defective part if the unit is returned, transportation prepaid, to SECO-LARM. This Warranty is void if damage is caused by or attributed to acts of God, physical or electrical misuse or abuse, neglect, repair or alteration, improper or abnormal usage, or faulty installation, or if for any other reason SECO-LARM determines that such equipment is not operating properly as a result of causes other than defects in material and workmanship. The sole obligation of SECO-LARM and the purchaser's exclusive remedy, shall be limited to the replacement or repair only, at SECO-LARM's option. In no event shall SECO-LARM be liable for any special, collateral, incidental, or consequential personal or property damage of any kind to the purchaser or anyone else.

NOTICE: The SECO-LARM policy is one of continual development and improvement. For that reason, SECO-LARM reserves the right to change specifications without notice. SECO-LARM is also not responsible for misprints. All trademarks are the property of SECO-LARM U.S.A., Inc. or their respective owners. Copyright © 2021 SECO-LARM U.S.A., Inc. All rights reserved.

SECO-LARM® U.S.A., Inc.

16842 Millikan Avenue, Irvine, CA 92606
Phone: (949) 261-2999 | (800) 662-0800

Website: www.seco-larm.com
Email: sales@seco-larm.com

 PITSW2

MI_SD-997B-1SQ_210323.docx