

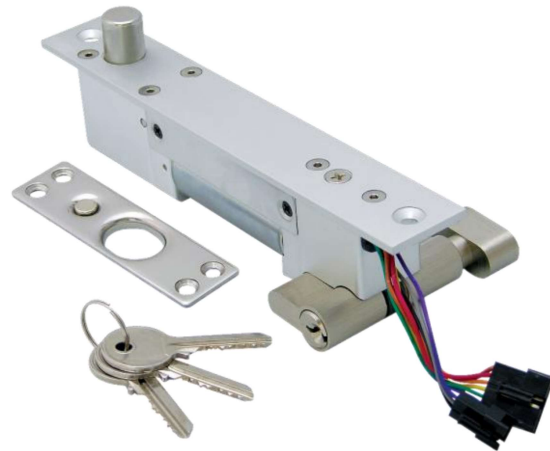
### Fail-secure Electric Deadbolt

#### SD-997A-GBQ *Fail-Secure, 12/24 VDC*

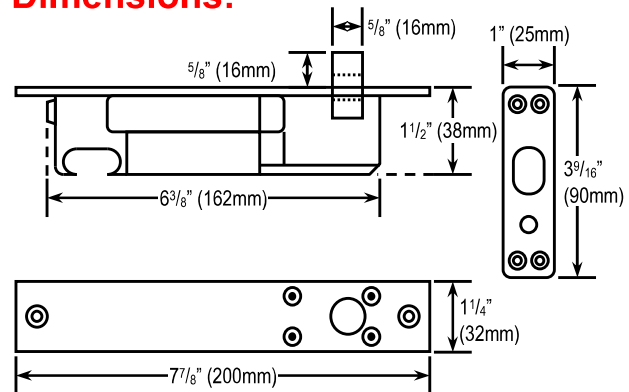
SECO-LARM Electric Deadbolts are designed for hollow metal door frames. They are not recommended for wooden door frames. However, the door can be wood or metal.

#### Features:

- Adds concealed deadbolt security to most wood or hollow metal doors, with the convenience of electrical operation
- Incorporates manual lock/unlock cylinder to operate the SD-997A-GBQ if power is lost (turn lock knob from inside protected premises and/or use key from outside protected premises)
- Stainless steel bolt, 5/8" diameter, 5/8" throw
- Fail-secure operation (locks if power is lost)
- Magnetic switch senses door position for positive locking
- Includes control wire which allows for releasing without cutting unit's power
- Attempts to relock multiple times if the door is not closed properly to prevent the solenoid from burning out. Once door closed properly will automatically lock
- Over-current protection 1.5A
- Door open/close monitor (NO/C/NC)
- Adjustable door lock delay timer (0,3,5, or 9 seconds)
- Use with an optional digital keypad for high security without a key. Easily connects to SECO-LARM Digital Keypads
- Suitable for office-type applications
- Shallow design for use with most metal door jambs
- Multi-directional horizontal or vertical mounting
- Powered by a solenoid
- Stainless steel for strength and long life
- Plug: Special conic cavity stainless steel (thickness 1.5mm~1.8mm)



#### Dimensions:



#### Specifications:

<b>Model</b>	<b>SD-997A-GBQ</b>	
<b>Operation</b>	Fail-secure	
<b>Current draw</b>	<b>Standby</b>	330mA@12VDC/205mA@24VDC
	<b>Activated</b>	880mA@12VDC/470mA@24VDC
<b>Status sensor</b>	SPDT, 250mA @ 12VDC (NO/NC/COM)	
<b>Operating voltage</b>	12/24 VDC	
<b>Adjustable delay timer</b>	0, 3, 5, 9 seconds	
<b>Weight</b>	2-lb 5-oz (1kg)	

#### Also Available from SECO-LARM®:

	<b>SD-997B-GBQ</b>
	Fail-safe, 12/24 VAC