

SECO-LARM®

SD-996C-NUVQ

Electric Door Strike with Vertical Adjustment

Manual



Features:

- 12/24 VDC Operation
- Vertical adjustable deadbolt opening, sliding shim keeper, and deadlatch ramp accommodates a wide range of lock types
- Accommodates deadbolts up to 1"
- Field selectable for fail-safe or fail-secure
- Includes 5 different stainless-steel faceplates
- Includes trim plate to hide gaps in installation
- Reversible non-handed design fits either right-hand or left-handed doors
- Indoor Use Only
- Static strength – 1,000 lbs. (454kg)
- Tested to 250,000 cycles (UL Tested)
- Low current draw: 300mA@12VDC & 150mA@24VDC
- The SD-996C-NUVQ is intended to be used with UL Listed Exit Hardware
- The SD-996C-NUVQ shall not impair the intended operation of an emergency exit
- The SD-996C-NUVQ shall not impair the operation of panic hardware mounted on the door

SECO-LARM Electric Door Strike with Vertical Adjustment

Introduction:

The SECO-LARM **SD-996C-NUVQ** Electric Door Strike with Vertical Adjustment is compatible with a wide range of lock types including cylindrical, mortise, and mortise exit devices and can be configured for use in wood, aluminum, or metal doors. Included are various ANSI-sized faceplates that can be easily installed on the strike to match the door lock type and the strike is easily field-configurable for fail-safe or fail-secure applications.

Specifications:

Model	SD-996C-NUVQ	
Operating voltage	12/24 VDC	
Current draw	12VDC	300mA
	24VDC	150mA
Operating temperature	14°~113° F (-10°~45° C)	
Operating humidity	0~85%	
Static strength	1,000 lbs. (454kg)	
Dynamic strength	33 ft-lbs. (4.56 m-kgs)	
Endurance	250,000 cycles (UL Tested), Level IV	
Destructive attack	Level I	
Line security	Level I	
Standby power	Level I	
Latch throw	1" (25mm) max with 1/8" (3mm) door gap	
Dimensions	1 ³ / ₁₆ "x1 ⁵ / ₈ "x3 ⁵ / ₁₆ " (47x42x84 mm)	

Parts List:

1x Door strike	5x Faceplates	1x Mounting template
2x Electrical connectors	2x Crimp connectors	2x Mounting tabs
1x Trim plate	2x Trim plate screws	2x Wood screws
6x Machine screws	2x Faceplate screws	2x Self-tapping screws

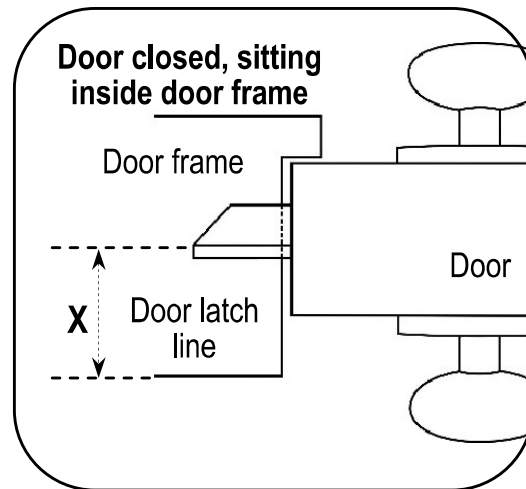
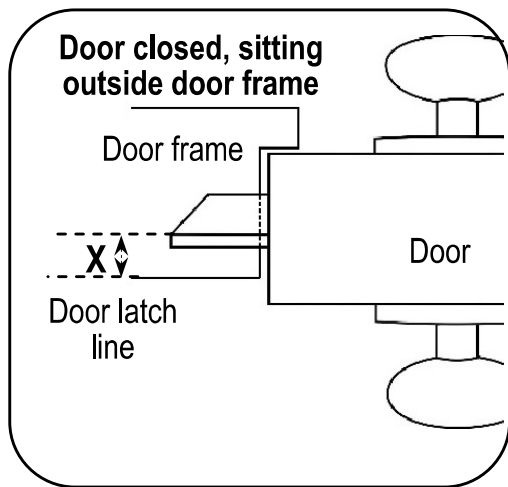
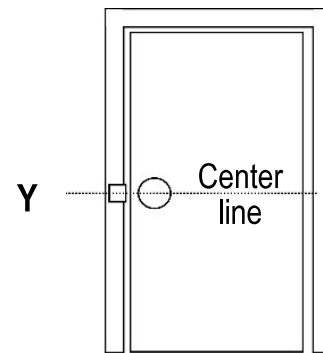
Note: Not all parts will be used in every installation.

Quick Installation:

1. Select the type of faceplate that will be used. See "Sample Installations," on page 5. If the door is pre-cut for a strike, skip to step 6.
2. Measure and mark the door latch line and the center line of the door. See "Measuring the Latch Line & Center Lines," page 3.
3. Apply the included stick-on template to the door frame. See "Mounting the Template," page 3.
4. Prepare the door frame for installation and mount the trim plate if needed. See "Preparing the Door Frame" and "Mounting the Trim Plate," page 4.
5. If the door frame material is unsuitable for mounting the strike directly, use the included mounting tabs for installation. This is recommended for aluminum door frames. See "Mounting the Strike Using Mounting Tabs," page 4.
6. Program for either fail-safe or fail-secure operation. See "Selecting Fail-Secure or Fail-Safe," page 6.
7. Connect power and complete installation to frame. See "Wiring Diagram," page 6.
8. Adjust the keeper if needed to correct for any installation problems, page 7.

Measuring the Latch Line & Center Lines:

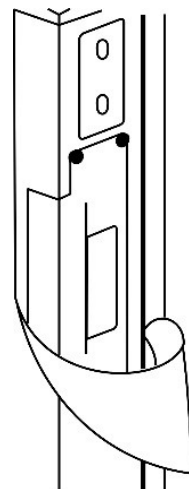
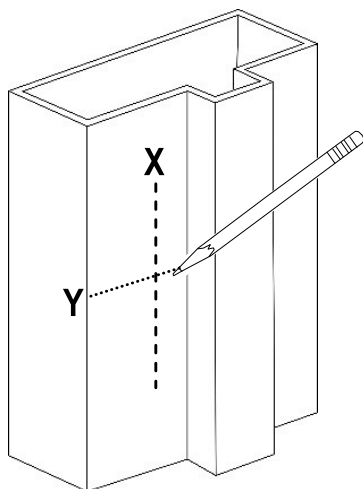
1. Measure the center line of the door. This is shown as "Y" on the diagram to the left.
2. Measure the distance from the door latch to the edge of the door frame. This is the door latch line. This is shown as "X" on the diagrams below.



Mounting the Template:

Note: The electric strike must be installed in such a way and in such a location as not to impair the operation of any emergency exit and panic-mounted hardware on the door.

1. Measure distance "X" from the side of the door frame, and distance "Y" from the top of the door frame. Use a pencil to mark the exact spot where the two lines intersect.
2. Carefully peel off the short, thin tab in the center of the stick-on template. When placed against the frame, this opening in the template will easily line up with the X-Y mark.
3. Peel the template from the backing, and carefully apply it to the door frame.

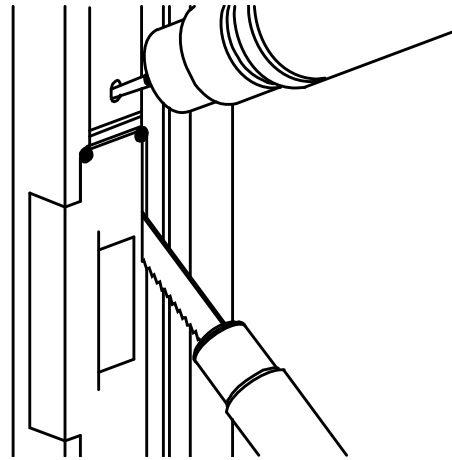


SECO-LARM Electric Door Strike with Vertical Adjustment

Preparing the Door Frame:

Using the stick-on template as a guide:

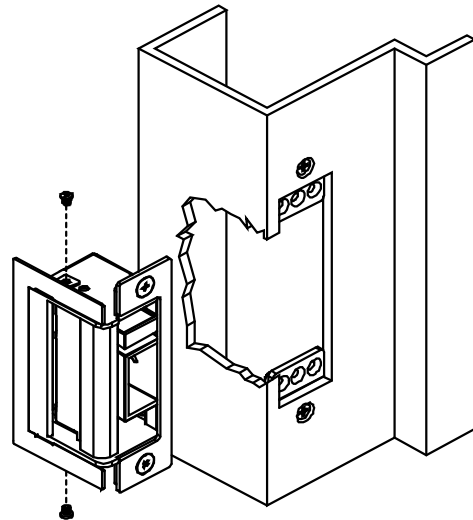
1. Drill holes for mounting the strike, and cut a hole for the face-plate size being used. It is recommended to cut the hole slightly smaller than necessary.
2. Use a file to finish the shaping of the frame. This will improve the fit and finish of the installation.



Mounting the Trim Plate:

1. If the hole cut for the faceplate is too large or is jagged, the trim plate can be mounted over the hole to improve the appearance of the installation.
2. Screw the trim plate into the mounting holes at the top and bottom of the door strike using the included trim plate screws before installing the strike to the door frame.

Note: Trim plate is optional and may not be required in all installations. Only use the trim plate to cover any gaps in the door frame.

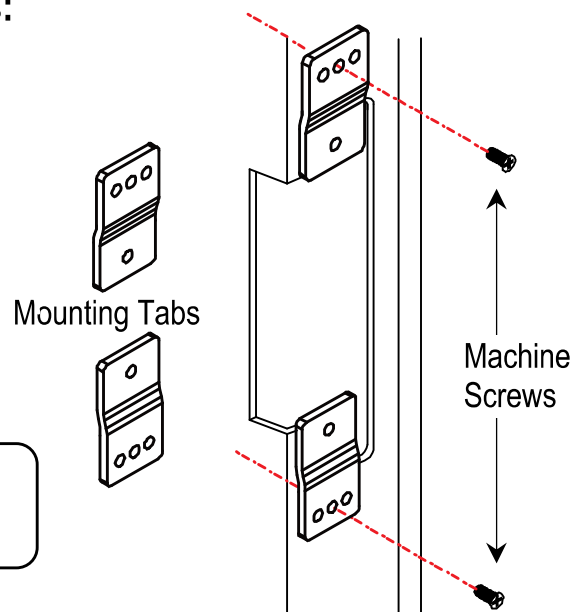


Mounting the Strike Using Mounting Tabs:

To mount the strike where the hollow door frame material is unsuitable for mounting, do the following:

1. Punch or drill holes according to the template for installation of the mounting tabs, and the anchor nuts that reinforce them.
2. When installing, do not over-tighten the screws as small adjustments may be required to secure a snug fit for the door strike.

Note: The mounting tabs are only used for aluminum and metal door frames. This is commonly done when retrofitting door frames.



SECO-LARM Electric Door Strike with Vertical Adjustment

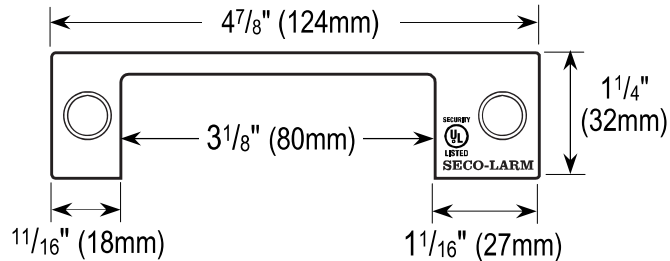
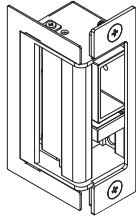
Sample Installations:

Note: If it is necessary to cut a hole in the frame, mounting tabs may be required to strengthen the installation. See pg. 4.

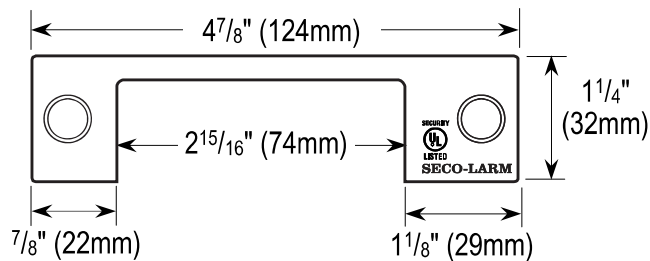
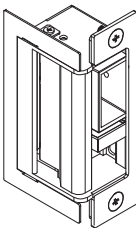
Dead-bolt Latch Installation

For installation of SD-996SS-11D1Q and SD-996SS-11D2Q faceplates with the mounting tabs shown in "Mounting the Strike Using Mounting Tabs," page 4:

SD-996SS-11D1Q



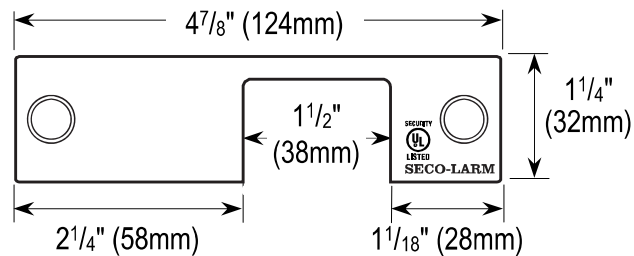
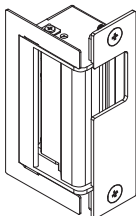
SD-996SS-11D2Q



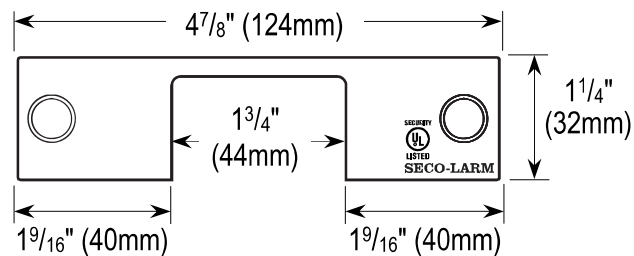
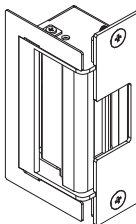
Latchbolt Installation

For installation of SD-996SS-11L1Q, SD-996SS-11L2Q, and SD-996SS-11L3Q faceplates with the mounting tabs shown in "Mounting the Strike Using Mounting Tabs," page 4:

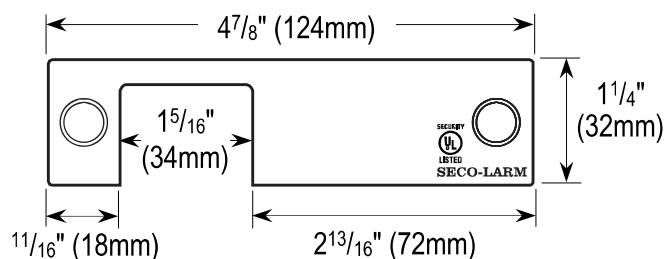
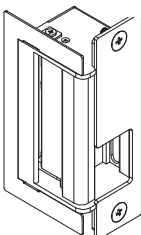
SD-996SS-11L1Q



SD-996SS-11L2Q



SD-996SS-11L3Q

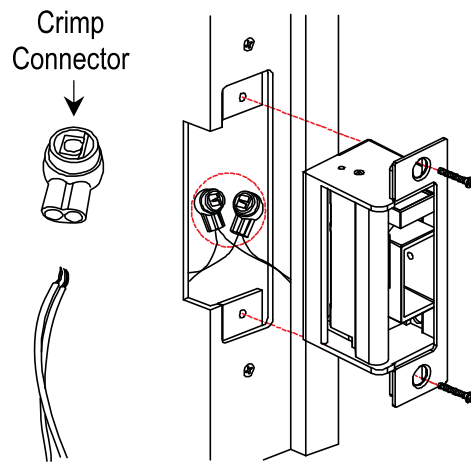


SECO-LARM Electric Door Strike with Vertical Adjustment

Installing the Crimp Connectors:

Crimp connectors are provided to make wiring connections easier and more reliable. To install the connectors:

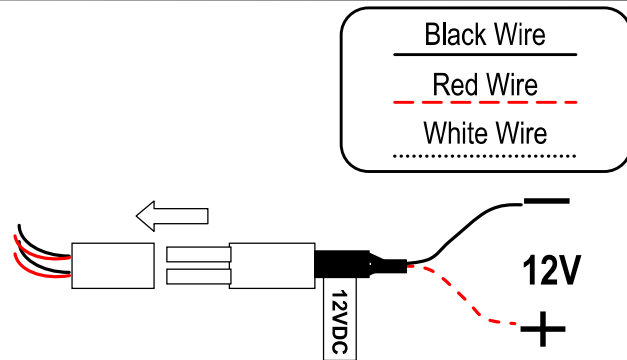
1. Insert the wires into the connector (see "12/24 VDC Wiring Diagram," page 6).
2. Use a crimping tool or pliers to evenly press down on the head of the connector.



12/24 VDC Wiring Diagram*:

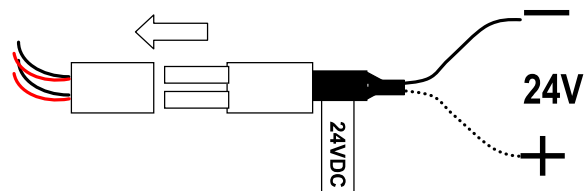
For 12VDC Operation*:

1. Use the included electrical connector marked 12VDC and connect its red/black wires to the positive and negative terminals of the control device.



For 24VDC Operation*:

1. Use the included electrical connector marked 24VDC and connect its white/black wires to the positive and negative terminals of the control device.

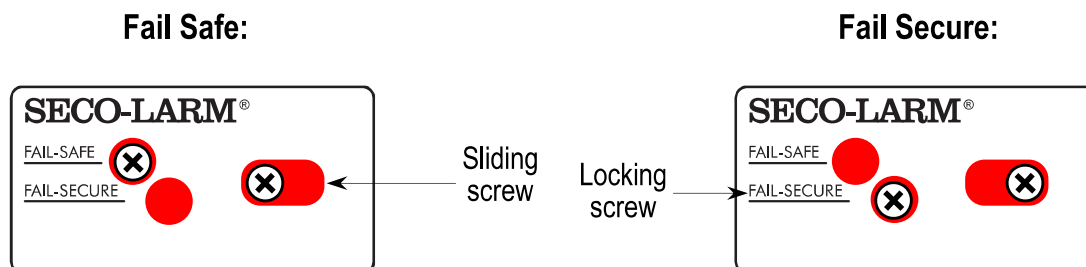


*Diagrams are for illustrative purposes only. Polarity of wires is not important.

Selecting Fail-Secure or Fail-Safe:

Factory default: Fail-safe

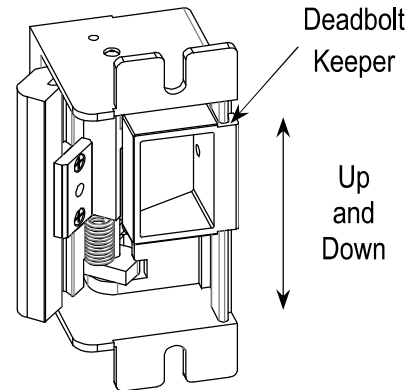
1. Remove the locking screw and loosen the sliding screw.
2. Slide the sliding screw to the desired setting. Replace the locking screw and retighten both screws.



Strike Adjustment:

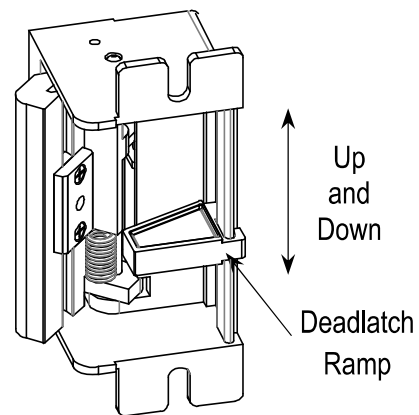
Adjusting Deadbolt Keeper:

1. Extend the deadbolt while moving the door closer to the strike, allowing the two to touch.
2. Mark deadbolt limit lines on the strike keeper.
3. Open the door and adjust the deadbolt keeper up and down to align with the marked lines.



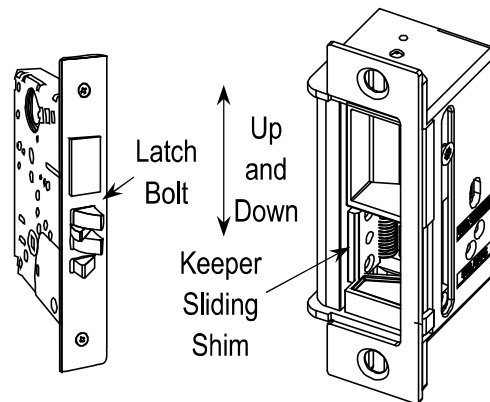
Adjusting Deadlatch Ramp:

1. Move the door close to the strike and mark the deadlatch limit lines on the strike keeper when they meet.
2. Open the door and adjust the deadlatch ramp up and down to align with the marked lines.



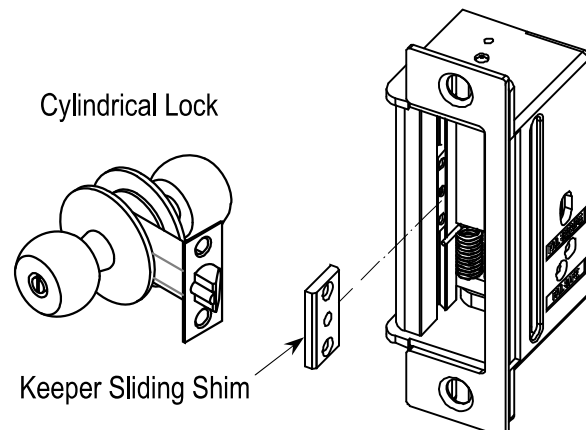
Adjusting Keeper Sliding Shim:

To minimize door play, slide the keeper shim up and down to align with the latch bolt position.



Adapting for Cylindrical Locks:

For cylindrical lock applications, remove the keeper sliding shim from the strike to ensure proper latch throw depth.



SECO-LARM Electric Door Strike with Vertical Adjustment

Also Available from **SECO-LARM®**:

Door Strikes

Fail-safe or fail-secure available



SD-995C / SD-994C shown

Door Holders

Surface-mount or flush-mount available



DH-151SQ shown

Magnetic Locks

80, 300, 600, and 1200-lb holding force available



E-941SA-1200 shown

Exit Devices

Stainless-steel, Fits doors 30"~48"



SD-962AR-36A shown

Troubleshooting:

Electric strike does not activate

- Unmount the strike and check that the electrical connector is connected properly.
- Ensure the electrical connector is connected to a 12 or 24VDC source.
- Use a multimeter to test that the strike is receiving the proper voltage and amperage. If it is not, it may be necessary to use heavier gauge wires, or increase the output of the power supply.
- Make sure the activation device (keypad or push-button switch) is working properly.

Door does not open when the electric strike is activated

- Check that the door latch is operating properly, and replace if necessary.
- The position of the electric strike may need to be adjusted by moving it or adding washers or shims.

Strike makes a buzzing sound

- Connect the strike to a DC power supply.

LIMITED WARRANTY: This SECO-LARM product is warranted against defects in material and workmanship while used in normal service for three (3) years from the date of sale to the original customer. SECO-LARM's obligation is limited to the repair or replacement of any defective part if the unit is returned, transportation prepaid, to SECO-LARM. This Warranty is void if damage is caused by or attributed to acts of God, physical or electrical misuse or abuse, neglect, repair or alteration, improper or abnormal usage, or faulty installation, or if for any other reason SECO-LARM determines that such equipment is not operating properly as a result of causes other than defects in material and workmanship. The sole obligation of SECO-LARM and the purchaser's exclusive remedy, shall be limited to the replacement or repair only, at SECO-LARM's option. In no event shall SECO-LARM be liable for any special, collateral, incidental, or consequential personal or property damage of any kind to the purchaser or anyone else.

NOTICE: The SECO-LARM policy is one of continual development and improvement. For that reason, SECO-LARM reserves the right to change specifications without notice. SECO-LARM is also not responsible for misprints. All trademarks are the property of SECO-LARM U.S.A., Inc. or their respective owners. Copyright © 2019 SECO-LARM U.S.A., Inc. All rights reserved.

SECO-LARM® U.S.A., Inc.

16842 Millikan Avenue, Irvine, CA 92606

Phone: (949) 261-2999 | (800) 662-0800

Website: www.seco-larm.com

Email: sales@seco-larm.com

 PITGW1

MI_SD-996C-NUVQ_190626.docx