

SECO-LARM®

SD-995C-D3Q No-Cut Door Strike

Manual



Features:

- Low profile: Strike is only 11/16" deep for use with aluminum frames
- Field selectable for fail-safe or fail-secure operation
- Mounting tabs included for mounting to hollow aluminum & metal doors
- Reversible non-handed design fits either right-hand or left-hand doors
- For indoor use only
- Static strength – 1,500-lb (680kg)
- Dynamic strength – 70lb-ft (9.68kg-m)
- 12/24 VDC Operating voltage
- Tested to 250,000 cycles (UL Tested), tested to 1,000,000 cycles (Factory Tested)
- Low current draw: 300mA@12VDC, 150mA@24VDC
- The SD-995C-D3Q is intended to be used with UL Listed Exit Hardware
- The SD-995C-D3Q shall not impair the intended operation of an emergency exit
- The SD-995C-D3Q shall not impair the operation of panic hardware mounted on the door

NOTE: SD-995C-D3Q has no horizontal or vertical adjustments.

SECO-LARM No-Cut Door Strike

Specifications:

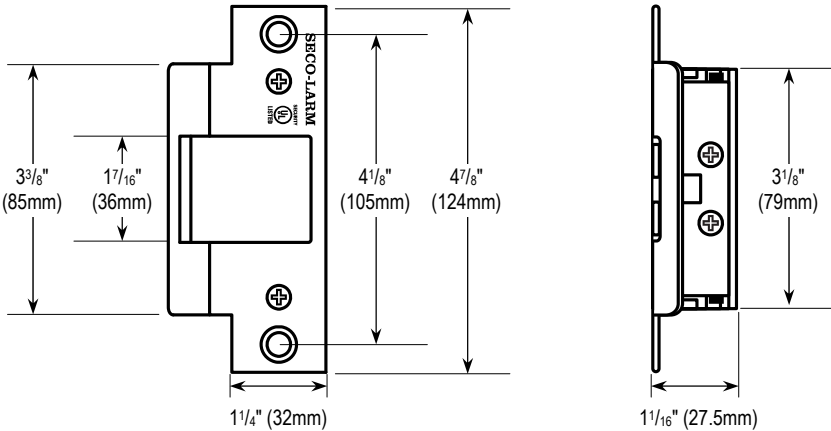
Model		SD-995C-D3Q
Operating voltage		12/24 VDC
Current draw	12VDC	300mA
	24VDC	150mA
Latch throw		9/16" (15mm)
Keeper width		17/16" (36mm)
Static strength		1,500-lb (680kg)
Dynamic strength		70lb-ft (9.68kg-m)
Endurance		250,000 cycles (UL Tested), 1,000,000 cycles (Factory Tested)
Operating temperature		32°~120° F (0°~49° C)
Operating humidity		0~85%
Dimensions		47/8"x11/4"x11/16" (124x32x27.5 mm)

Parts List:

- | | | |
|----------------------------|--------------------------|----------------------|
| 1x Door Strike | 2x Electrical connectors | 2x Wiring connectors |
| 2x Mounting tabs | 2x Wood screws | 4x Machine screws |
| 2x Machine screws (narrow) | 2x Security screws | 2x Anchor nuts |
| 1x Manual | | |

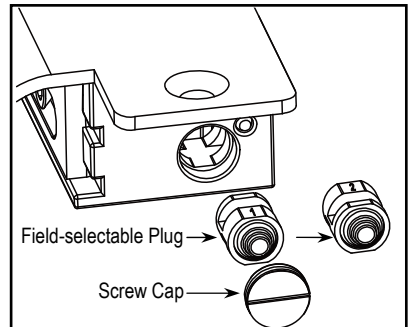
Note: Not all parts will be used in every installation.

Dimensions:



Selecting Fail-Safe or Fail-Secure:

- Using a flathead screwdriver, unscrew and remove the screw cap to access the field-selectable plug.
- For fail-safe operation, rotate the field-selectable plug so that "1" is facing up.
- For fail-secure operation, rotate the field-selectable plug so that "2" is facing up (Default).
- Replace the field-selectable plug in the correct orientation and screw the screw cap back into place.



Installation:

1. Measure the latch line (see Fig. 1).
 - a. Measure the distance between the face of the door jamb and the face of the door latch. This is the vertical latch distance.
 - b. Measure the vertical latch distance on the door jamb from the face of the door jamb. At that point, draw a vertical line. This is the latch line.
2. Measure the center line (see Fig. 2).
 - a. Measure the distance from the floor to the center of the door latch. Ignore the location of the deadlatch pin when taking measurements.
 - b. Measure the same distance as above along the inside of the door jamb. This is the center line.
3. Align the included mounting template to the latch and center lines (see Fig. 3).
4. To mount the strike where the hollow door frame material is unsuitable for mounting, install the provided mounting tabs (see Fig. 4).
5. Before installing the door strike, program for either fail-safe or fail-secure operation. See "Selecting Fail-Safe or Fail-Secure," pg. 2.
6. Conceal all wires in the door frame. Use two of the included machine screws to mount the unit to the mounting tabs. Adjust as needed to ensure the door closes smoothly (see Fig. 5).
7. Connect to power. See "Wiring Diagram," pg. 4.

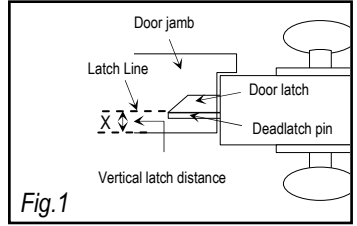


Fig. 1

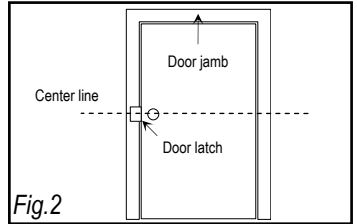


Fig. 2

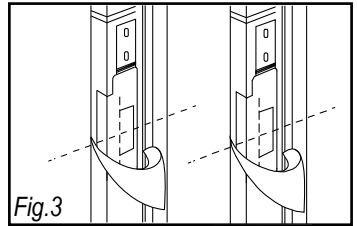


Fig. 3

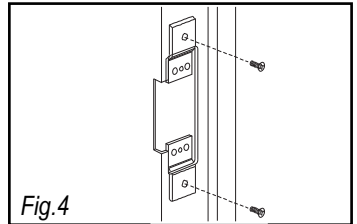


Fig. 4

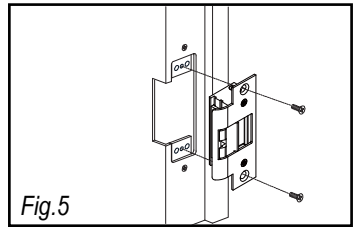
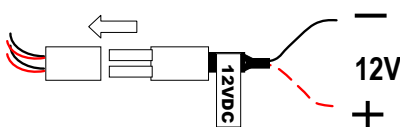


Fig. 5

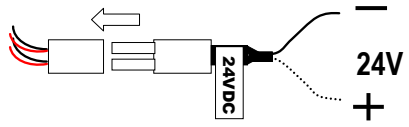
NOTE: SD-995C-D3Q has no horizontal or vertical adjustments.

Wiring Diagram:

For 12VDC operation:



For 24VDC operation:



SECO-LARM No-Cut Door Strike

Also Available from **SECO-LARM®**:

Electric Door Strike for
Metal Doors



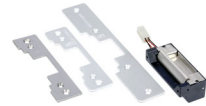
SD-995C

Door Strike with Horizontal
Adjustable Keeper



SD-995A-A1Q

Universal Door Strike



SD-996C-NUQ

Surface-Mount Electric Rim Strike



SD-998C-NUQ

Mini No-Cut Electric Door Strike



SD-991A-D1Q

Electric Door Strike with
Vertical Adjustment



SD-996C-NUVQ

Troubleshooting:

Electric strike does not activate

- Dismount the strike and check that the wiring connector is connected properly.
- Ensure the wiring connector is connected to a 12 or 24VDC source.
- Use a multimeter to test that the strike is receiving the proper voltage and amperage. If it is not, it may be necessary to use heavier gauge wires, or increase the output of the power supply.
- Make sure the activation device (keypad or push-button switch) is working properly.

Door does not open when the electric strike is activated

- Check that the door latch is operating properly, and replace if necessary.
- The position of the electric strike may need to be adjusted by moving it or adding washers or shims.

Strike makes a buzzing sound

- Connect the strike to a DC power supply.

NOTE: SD-995C-D3Q has no horizontal or vertical adjustments.

LIMITED WARRANTY: This SECO-LARM product is warranted against defects in material and workmanship while used in normal service for three (3) years from the date of sale to the original customer. SECO-LARM's obligation is limited to the repair or replacement of any defective part if the unit is returned, transportation prepaid, to SECO-LARM. This Warranty is void if damage is caused by or attributed to acts of God, physical or electrical misuse or abuse, neglect, repair or alteration, improper or abnormal usage, or faulty installation, or if for any other reason SECO-LARM determines that such equipment is not operating properly as a result of causes other than defects in material and workmanship. The sole obligation of SECO-LARM and the purchaser's exclusive remedy, shall be limited to the replacement or repair only, at SECO-LARM's option. In no event shall SECO-LARM be liable for any special, collateral, incidental, or consequential personal or property damage of any kind to the purchaser or anyone else.

NOTICE: The SECO-LARM policy is one of continual development and improvement. For that reason, SECO-LARM reserves the right to change specifications without notice. SECO-LARM is also not responsible for misprints. All trademarks are the property of SECO-LARM U.S.A., Inc. or their respective owners. Copyright © 2018 SECO-LARM U.S.A., Inc. All rights reserved.

SECO-LARM® U.S.A., Inc.

16842 Millikan Avenue, Irvine, CA92606

Phone: (949) 261-2999 | (800) 662-0800

Website: www.secolarm.com

Email: sales@seco-larm.com

 PITGW1

MI_SD-995C-D3Q_180306.docx