

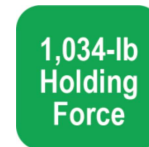
### Weatherproof Door/Gate Strike

#### SD-995A-D3Q

Weatherproof, 1,034-lb Holding force, Fail-secure

#### Features:

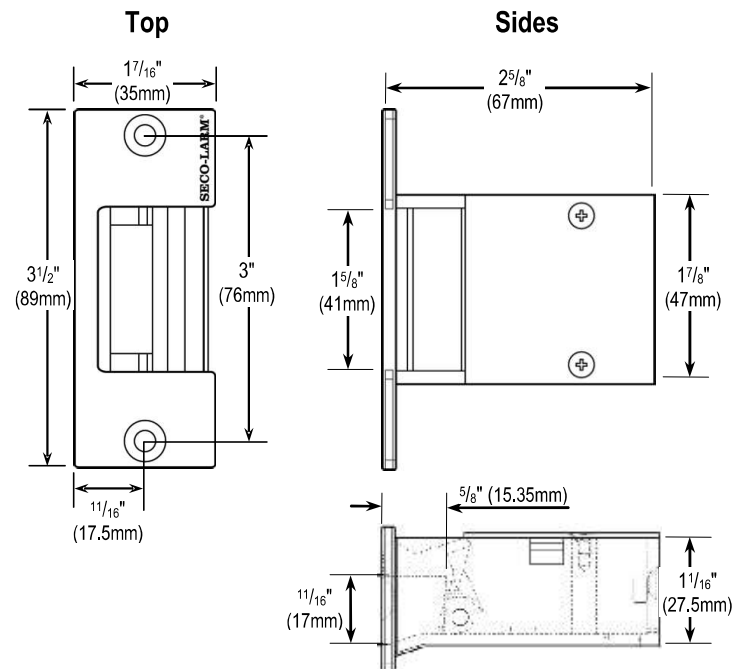
- Unique design accommodates both wood and metal doors
- Fail-secure operation
- Reversible for right or left-handed doors
- Zinc alloy body
- Corrosion-resistant case and moving parts
- Complete mounting hardware included
- Operating voltage: 12~24 VAC/VDC
- 1,034-lb (470kg) Holding force
- Tested to 250,000 cycles
- Current draw: 500mA@12VDC, 1A@24VDC
- Strike depth: 9/16" (15mm)
- Faceplate size: 3 1/2"x1 7/16"x1/8" (89x35x3 mm)



#### Specifications:

Operation	Fail-secure
Operating voltage	12~24 VAC/VDC
Current draw	500mA@12VDC, 1A@24VDC
Design	Reversible non-handed
Max. latch throw	9/16" (15mm)
Keeper width	1 5/8" (41mm)
Strike depth	9/16" (15mm)
Holding force	1,034-lb (470kg)
IP Rating	IP42
Operating temperature	14°~113° F (-10°~45° C)
Operating humidity	0~95% RH (no condensation)
Faceplate dimensions	3 1/2"x1 7/16"x1/8" (89x35x3 mm)
Weight	12.1-oz (343g)

#### Dimensions:



#### SECO-LARM® U.S.A., Inc.

16842 Millikan Avenue, Irvine, CA 92606

Phone: (949) 261-2999 | (800) 662-0800 Fax: (949) 261-7326

Website: www.seco-larm.com Email: sales@seco-larm.com



Copyright © 2017 SECO-LARM U.S.A., Inc. All rights reserved. All trademarks are the property of SECO-LARM U.S.A., Inc. or their respective owners. The SECO-LARM policy is one of continual development. For that reason, SECO-LARM reserves the right to change specifications without notice. SECO-LARM is not responsible for misprints.

**SECO-LARM® ENFORCER® CRIMEBUSTER® CBA SLI®**

PI\_SD-995A-D3Q\_170921.docx