

# SECO-LARM®

## SD-995A-D3Q

### Weatherproof Door/Gate Strike

#### Manual



#### Features:

- Unique design accommodates both wood and metal doors
- Fail-secure operation
- Reversible for right or left-handed doors
- Zinc alloy body
- Corrosion-resistant case and moving parts
- Complete mounting hardware included
- Operating voltage: 12~24 VAC/VDC
- 1,034-lb (470kg) Holding force
- Tested to 250,000 cycles
- Current draw: 500mA@12VDC, 1A@24VDC
- Strike depth: 9/16" (15mm)
- Faceplate size: 3 1/2"x1 7/16"x1/8" (89x35x3 mm)

# SECO-LARM® Weatherproof Door/Gate Strike

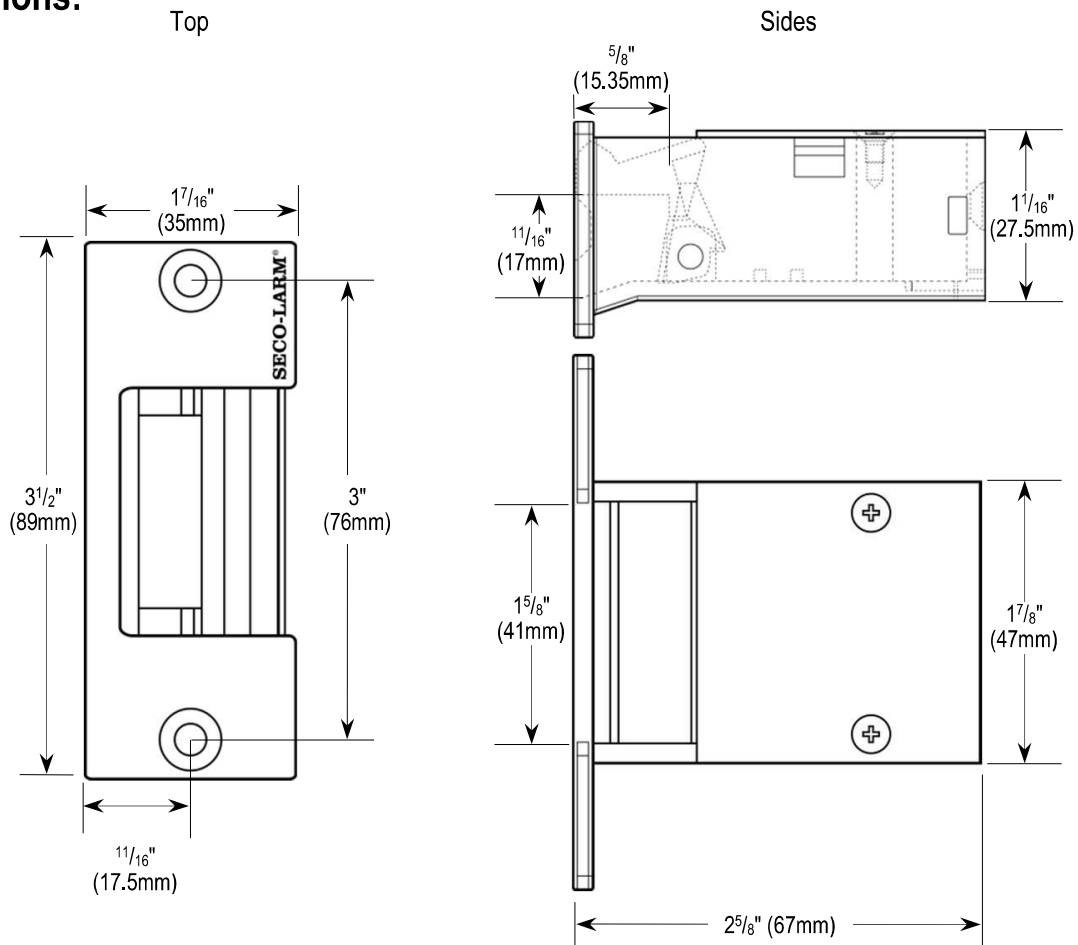
## Specifications:

Model	<b>SD-995A-D3Q</b>
Operation	Fail-secure
Operating voltage	12~24 VAC/VDC
Current draw	500mA@12VDC, 1A@24VDC
Design	Reversible non-handed
Max. latch throw	9/16" (15mm)
Keeper width	15/8" (41mm)
Strike depth	9/16" (15mm)
Holding force	1,034-lb (470kg)
IP Rating	IP42
Operating temperature	14°~113° F (-10°~45° C)
Operating humidity	0~95% RH (no condensation)
Faceplate dimensions	3 1/2"x1 7/16"x1/8" (89x35x3 mm)
Weight	12.1-oz (343g)

## Parts List:

1x Door strike      1x Mounting template      2x Mounting tabs      2x Wood screws  
 4x Machine screws      2x Crimp connectors      1x Manual

## Dimensions:



**Installation:**

1. Measure the latch line (see fig. 1).
  - a. Measure the distance between the face of the door jamb and the face of the door latch. This is the vertical latch distance.
  - b. Measure the vertical latch distance on the door jamb from the face of the door jamb. At that point, draw a vertical line. This is the latch line.
2. Measure the center line (see fig. 2).
  - a. Measure the distance from the floor to the center of the door latch. Ignore the location of the deadlatch pin when taking measurements.
  - b. Measure the same distance as above along the inside of the door jamb. This is the center line.
3. Align the included mounting template to the latch and center lines (see fig. 3)
4. Using the template as a guide, cut into the door jamb to a depth of  $\frac{3}{4}$ " (19mm).
 

**NOTE:** If cutting into a wooden door, use a chisel to knock out a  $\frac{1}{8}$ " (3mm) deep cut as shown on the template.
5. Using two of the included machine screws, affix the mounting tabs to the inside of the door jamb (see fig. 4).
6. Connect the two wires from the access control or egress device, e.g. keypad, push-button switch, push-bar, etc. to the door strike wires. Polarity is not important.
7. Conceal all wires in the door frame. Use two of the included machine screws to mount the unit to the mounting tabs. Adjust as needed to ensure the door closes smoothly (see fig. 5).
 

**NOTE:** Intermittent duty use > 20 seconds per cycle.

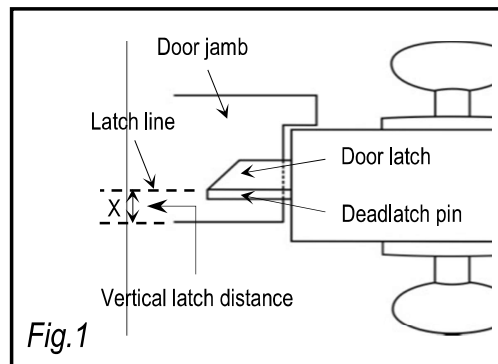


Fig.1

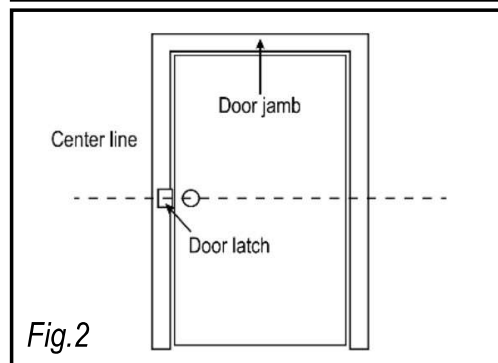


Fig.2

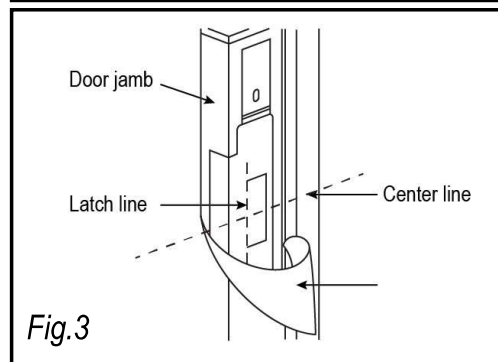


Fig.3

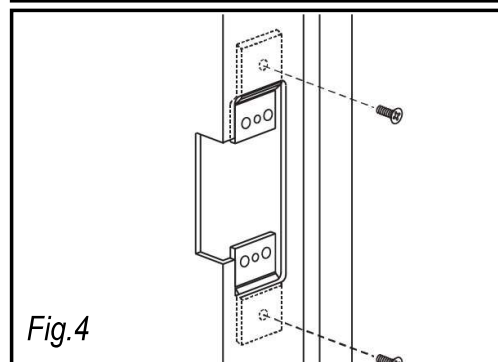


Fig.4

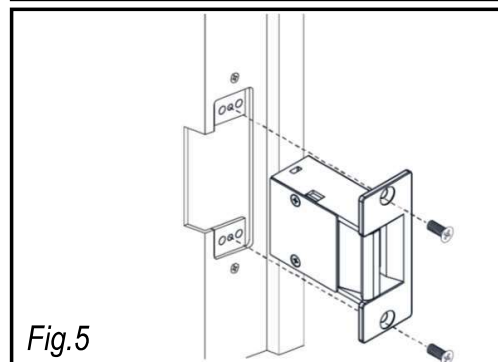


Fig.5

# SECO-LARM® Weatherproof Door/Gate Strike

## Also Available:



**Electric Door Strike for Metal Doors**  
SD-995C



**Electric Door Strike for Wood Doors**  
SD-994C



**Universal Door Strike**  
SD-996C-NUQ



**Fail-Secure Electric Door Strike**  
SD-990AQ



**Fail-Safe Electric Door Strike**  
SD-990BQ



**Indoor Access Control Keypad**  
SK-1011-SDQ

## Troubleshooting:

Electric strike does not activate

- Remove the strike and check that the wires are connected properly
- Use a multimeter to test that the strike is receiving the proper voltage and amperage. If it is not, it may be necessary to use heavier gauge wires, or increase the output of the power supply
- Make sure the activation device (keypad or pushbutton switch) is working properly

Door does not open when the electric strike is activated

- Check that the door latch is operating properly, and replace if necessary
- The position of the electric strike may need to be adjusted by moving it or adding washers or shims

**WARRANTY:** This SECO-LARM product is warranted against defects in material and workmanship while used in normal service for three (3) year from the date of sale to the original customer. SECO-LARM's obligation is limited to the repair or replacement of any defective part if the unit is returned, transportation prepaid, to SECO-LARM. This Warranty is void if damage is caused by or attributed to acts of God, physical or electrical misuse or abuse, neglect, repair or alteration, improper or abnormal usage, or faulty installation, or if for any other reason SECO-LARM determines that such equipment is not operating properly as a result of causes other than defects in material and workmanship. The sole obligation of SECO-LARM and the purchaser's exclusive remedy, shall be limited to the replacement or repair only, at SECO-LARM's option. In no event shall SECO-LARM be liable for any special, collateral, incidental, or consequential personal or property damage of any kind to the purchaser or anyone else.

**NOTICE:** The SECO-LARM policy is one of continual development and improvement. For that reason, SECO-LARM reserves the right to change specifications without notice. SECO-LARM is also not responsible for misprints. All trademarks are the property of SECO-LARM U.S.A., Inc. or their respective owners. Copyright © 2017 SECO-LARM U.S.A., Inc. All rights reserved.

## SECO-LARM® U.S.A., Inc.

16842 Millikan Avenue, Irvine, CA 92606  
Phone: (949) 261-2999 | (800) 662-0800

Website: [www.seco-larm.com](http://www.seco-larm.com)  
Email: [sales@seco-larm.com](mailto:sales@seco-larm.com)

 PITGW1

MI\_SD-995A-D3Q\_170501.docx