

SECO-LARM®

SD-995A-A1Q Electric Door Strike with Horizontal Adjustment

Manual



Features:

- 1/4" Horizontal keeper adjustment compensates for installation difficulties such as warped doors, different-sized latch bolts, etc.
- Unique design accommodates both wood and metal doors
- Fail-secure operation
- Reversible for right or left-handed doors
- Durable stainless-steel faceplate
- Miniature lock body for easier installation
- Corrosion-resistant case and moving parts
- Complete mounting hardware included
- Screw terminals for ease of wiring
- Operating voltage: 8~16VAC/12VDC
- 1,000-lb (453kg) Jaw strength
- Tested to 500,000 cycles
- Current draw: 750mA@12VDC
- Keeper depth: 21/32" (16.8mm)
- Latch depth: 3/4" (19mm)
- Strike depth: 1 1/2" (38mm)
- ANSI Faceplate size: 47/8"x1 1/4"x1/8" (124x32x3.2 mm)
- Optional ANSI Faceplate SD-995RE-21Q: 7 15/16"x1 1/4"x1/8" (202x32x3.2 mm)

SECO-LARM® Electric Door Strike with Horizontal Adjustment

Specifications:

Model		SD-995A-A1Q
Operation		Fail-secure
Operating voltage		8~16 VAC/12VDC
Current draw	16VAC	800mA
	12VDC	750mA
Operating temperature		14°~113° F (-10°~45° C)
Weight		10.3-oz (292g)
Max. latch throw		$\frac{5}{8}$ " (16mm)
Strike depth		$1\frac{1}{2}$ " overall (38mm)
Design		Reversible Non-Handed
Adjustable keeper		Max. $\frac{1}{4}$ " (6mm)
Faceplate dimensions		$4\frac{7}{8}$ "x $1\frac{1}{4}$ "x $\frac{1}{8}$ " (124x32x3.2 mm)

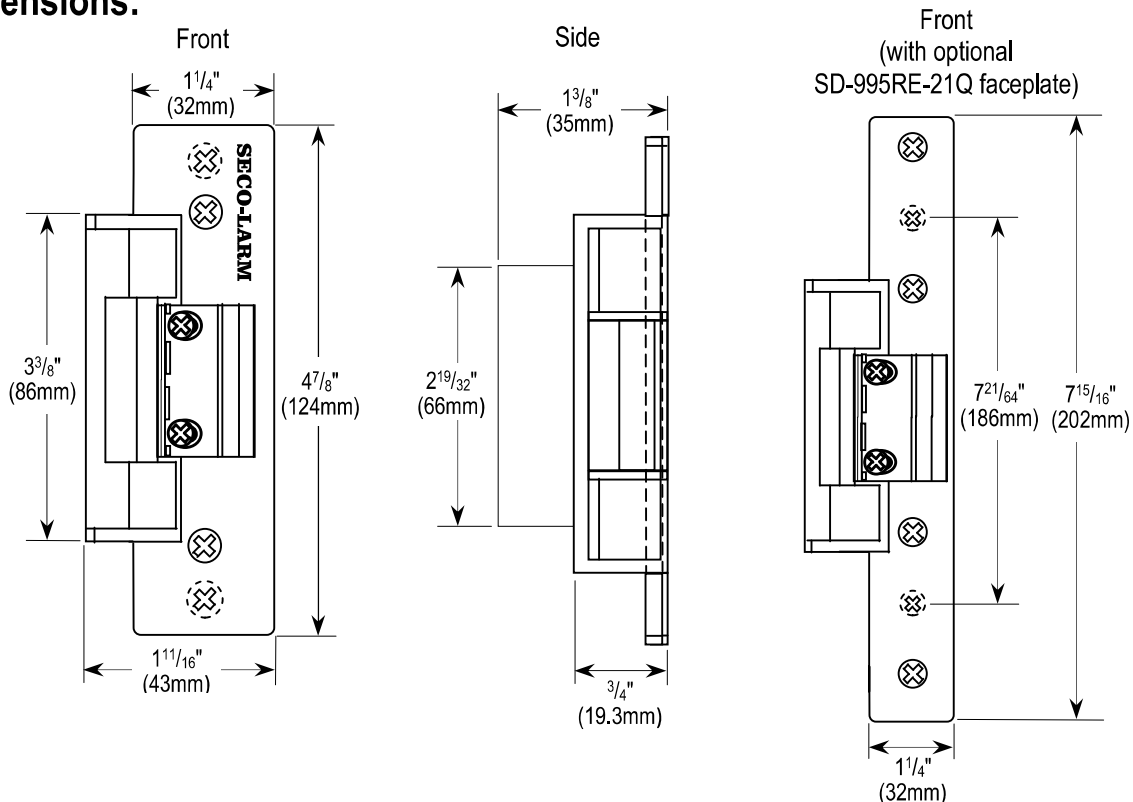
Optional Faceplate SD-995RE-21Q:

Model		SD-995RE-21Q
Dimensions		$7\frac{15}{16}$ "x $1\frac{1}{4}$ "x $\frac{1}{8}$ " (202x32x3.2 mm)
Construction		Stainless Steel

Parts List:

1x Door strike	1x Mounting plate	1x Mounting template
2x Mounting tabs	2x Wood screws	4x Machine screws
2x Machine screws (narrow)	2x Black anchor nuts	1x Manual

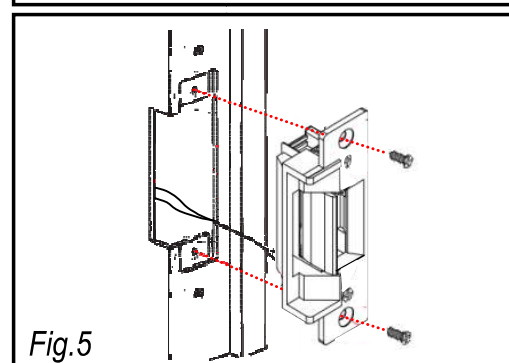
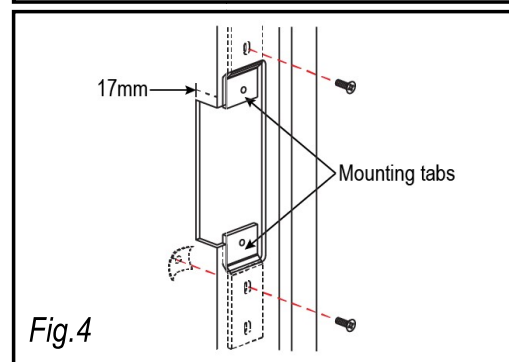
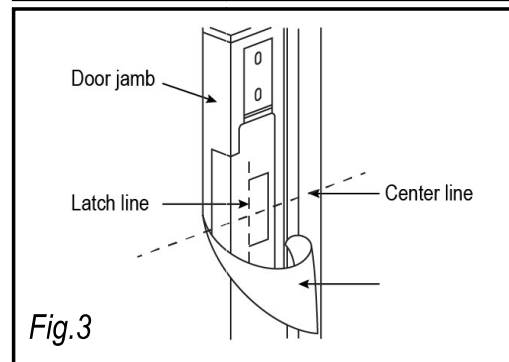
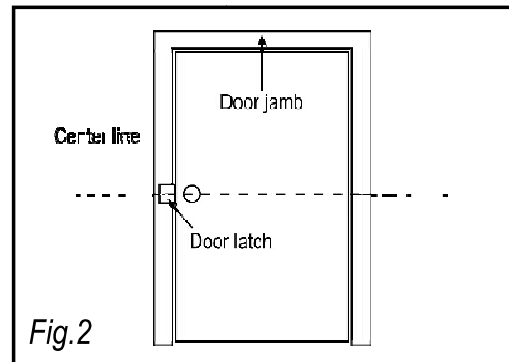
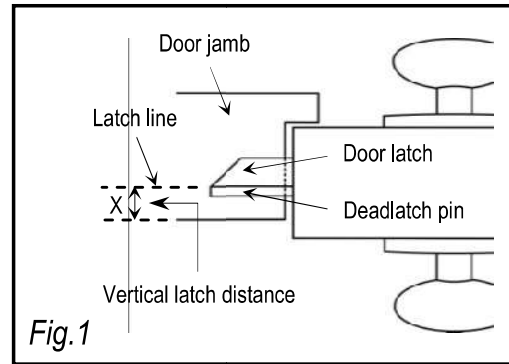
Dimensions:



Installation:

1. Measure the latch line (see fig. 1).
 - a. Measure the distance between the face of the door jamb and the face of the door latch. This is the vertical latch distance.
 - b. Measure the vertical latch distance on the door jamb from the face of the door jamb. At that point, draw a vertical line. This is the latch line.
2. Measure the center line (see fig. 2).
 - a. Measure the distance from the floor to the center of the door latch. Ignore the location of the deadlatch pin when taking measurements.
 - b. Measure the same distance as above along the inside of the door jamb. This is the center line.
3. Align the included mounting template to the latch and center lines (see fig. 3)
4. Using the template as a guide, cut into the door jamb to a depth of $\frac{3}{4}$ " (19mm).

NOTE: If cutting into a wooden door, use a chisel to knock out a $\frac{1}{8}$ " (3mm) deep cut as shown on the template.
5. Using two of the included machine screws (narrow) and black clips, affix the mounting tabs to the inside of the door jamb (see fig. 4).
6. Adjust keeper to correct position (see pg. 4).
7. Connect the two wires from the access control or egress device, e.g. keypad, push-button switch, push-bar, etc. to the Door Strike terminals. Polarity is not important.
8. Conceal all wires in the door frame. Use two of the included machine screws to mount the unit to the mounting tabs. Adjust as needed to ensure the door closes smoothly (see fig. 5).

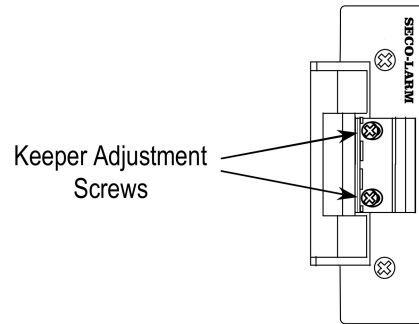


SECO-LARM® Electric Door Strike with Horizontal Adjustment

Keeper Adjustment:

The keeper can be easily adjusted horizontally to account for various installation anomalies. To adjust the keeper:

1. Loosen the two keeper adjustment screws.
2. Move the keeper horizontally to the desired position.
3. Retighten the two keeper adjustment screws.



Optional Accessories:



Installation Jig
SD-995JA-11Q



Stainless Steel ANSI Faceplate
SD-995RE-21Q

Troubleshooting:

Electric strike does not activate

- Remove the strike and check that the wires are connected properly
- Use a multimeter to test that the strike is receiving the proper voltage and amperage. If it is not, it may be necessary to use heavier gauge wires, or increase the output of the power supply
- Make sure the activation device (keypad or pushbutton switch) is working properly

Door does not open when the electric strike is activated

- Check that the door latch is operating properly, and replace if necessary
- The position of the electric strike may need to be adjusted by moving it or adding washers or shims

WARRANTY: This SECO-LARM product is warranted against defects in material and workmanship while used in normal service for three (3) years from the date of sale to the original customer. SECO-LARM's obligation is limited to the repair or replacement of any defective part if the unit is returned, transportation prepaid, to SECO-LARM. This Warranty is void if damage is caused by or attributed to acts of God, physical or electrical misuse or abuse, neglect, repair or alteration, improper or abnormal usage, or faulty installation, or if for any other reason SECO-LARM determines that such equipment is not operating properly as a result of causes other than defects in material and workmanship. The sole obligation of SECO-LARM and the purchaser's exclusive remedy, shall be limited to the replacement or repair only, at SECO-LARM's option. In no event shall SECO-LARM be liable for any special, collateral, incidental, or consequential personal or property damage of any kind to the purchaser or anyone else.

NOTICE: The information and specifications printed in this manual are current at the time of publication. However, the SECO-LARM policy is one of continual development and improvement. For this reason, SECO-LARM reserves the right to change specifications without notice. SECO-LARM is also not responsible for misprints or typographical errors. Copyright © 2015 SECO-LARM U.S.A., Inc. All rights reserved. This material may not be reproduced or copied, in whole or in part, without the written permission of SECO-LARM.

SECO-LARM® U.S.A., Inc.

16842 Millikan Avenue, Irvine, CA 92606
Phone: (949) 261-2999 | (800) 662-0800

Website: www.seco-larm.com
Email: sales@seco-larm.com

 PITGW1

ML_SD-995A-A1Q_151109.docx