

Reversible Electric Door Strikes

SD-994A-A1AQ

Asymmetric – the strike portion is not centered on the reversible faceplate

SD-994A-A1SQ

Symmetric – the strike portion is centered on the reversible faceplate

Features:

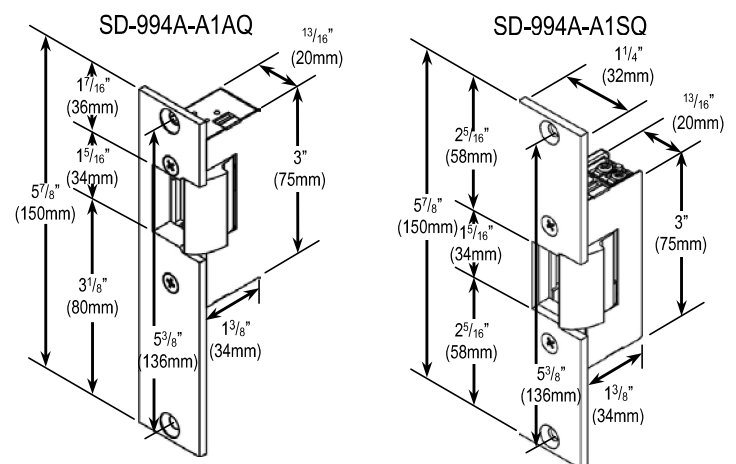
- 8~16 VAC/12VDC Operating voltage
- For use on wood doors
- Can be used with virtually any cylindrical-door locking system
- Fail-secure operation
- US26D Chrome faceplate
- Miniature lock body for easier installation
- Faceplate size: 5⁷/₈"x1¹/₄"x1¹/₈" (150x32x3.2 mm)
- Corrosion-resistant case and moving parts
- 1,000-lb (453kg) Jaw strength
- Tested to 500,000 cycles
- Reversible for right- or left-hand doors
- Current draw: 800mA@16VAC
750mA@12VDC
- Keeper depth: 2¹/₃₂" (16.8mm)
- Latch depth: 3³/₄" (19mm)
- Strike depth: 1¹/₂" (38mm)



Specifications:

Model	SD-994A-A1AQ / SD-994A-A1SQ	
Operation	Fail secure	
Operating voltage	8~16 VAC/12VDC	
Current draw	16VAC	800mA
	12VDC	750mA
Operating temperature	14°~113° F (-10°~45° C)	
Weight	10.3-oz (292g)	

Dimensions:



SECO-LARM® U.S.A., Inc.

16842 Millikan Avenue, Irvine, CA 92606

Phone: (949) 261-2999 | (800) 662-0800 Fax: (949) 261-7326

Website: www.seco-larm.com Email: sales@seco-larm.com



Copyright 2015 © SECO-LARM U.S.A., Inc. All rights reserved.
All trademarks are the property of SECO-LARM U.S.A., Inc. or their respective owners.
The SECO-LARM policy is one of continual development. For that reason, SECO-LARM reserves the right to change prices and specifications without notice. SECO-LARM is not responsible for misprints.

SECO-LARM® ENFORCER® CRIMEBUSTER® CBA SLI®

