

# SECO-LARM®

## Electric Strikes

### Manual



SD-994A-A1AQ



SD-994A-A1SQ

Model #	Type	Description
SD-994A-A1AQ	Asymmetric:	The strike portion is not centered on the reversible faceplate
SD-994A-A1SQ	Symmetric:	The strike portion is centered on the reversible faceplate

# SECO-LARM® Electric Strikes

## Introduction:

The **SECO-LARM® Electric Strikes** are the ideal way to convert cylindrical lock sets into an electronic access-controlled locking system. The strikes come in two varieties: asymmetric and symmetric. Both models come with a reversible faceplate for right-hand or left-hand doors and have a fail-secure operation.

## Features:

- 8~16 VAC/12VDC Operating voltage
- For use on wood doors
- Can be used with virtually any cylindrical-door locking system
- Fail-secure operation
- US26D Chrome faceplate
- Miniature lock body for easier installation
- Faceplate size 5<sup>7</sup>/<sub>8</sub>"x1<sup>1</sup>/<sub>4</sub>"x1<sup>1</sup>/<sub>8</sub>" (150x32x3.2 mm)
- Corrosion-resistant case and moving parts
- 1,000-lb (453kg) Jaw strength
- Tested to 500,000 cycles
- Reversible for right- or left-hand doors
- Current draw: 800mA@16VAC  
750mA@12VDC
- Keeper Depth: 2<sup>1</sup>/<sub>32</sub>" (16.8mm)
- Latch Depth: 3<sup>3</sup>/<sub>4</sub>" (19mm)
- Strike Depth: 1 1<sup>1</sup>/<sub>2</sub>" (38mm)

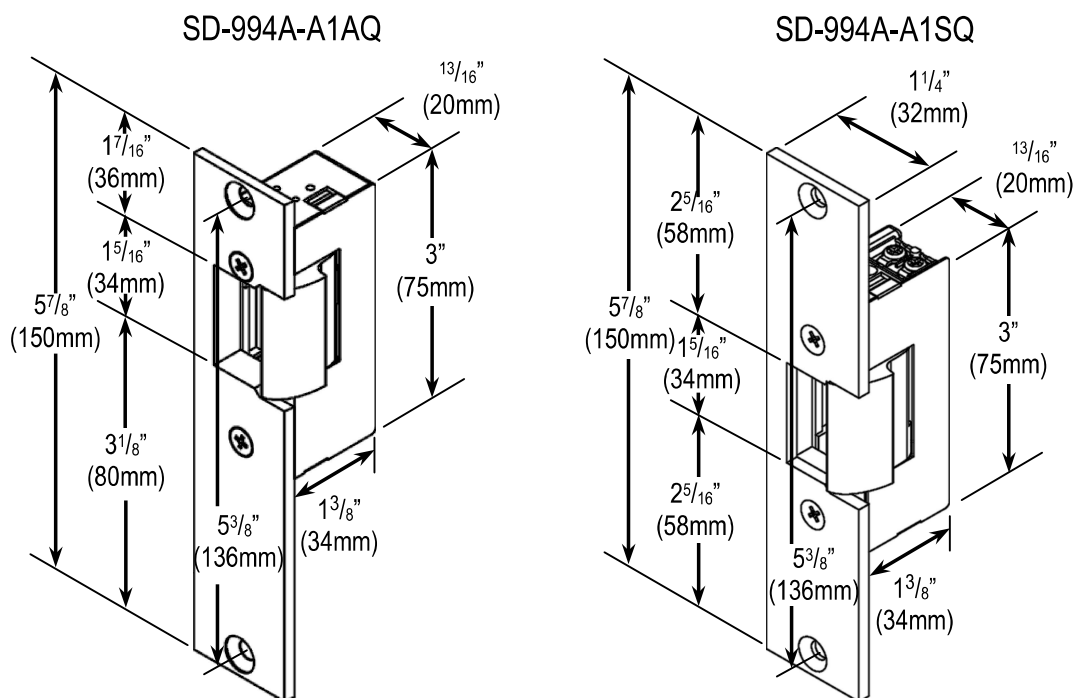
## Parts List:

- 1x Door strike
- 2x Mounting screws
- 1x Manual

## Specifications:

Model	SD-994A-A1AQ / SD-994A-A1SQ	
Operation	Fail secure	
Operating voltage	8~16 VAC/12VDC	
Current draw	16VAC	800mA
	12VDC	750mA
Operating temperature	14°~113° F (-10°~45° C)	
Weight	10.3-oz (292g)	

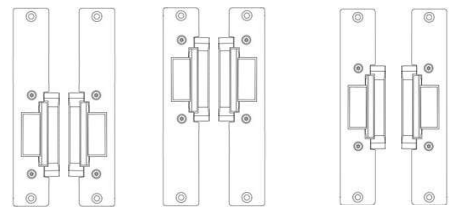
## Dimensions:



**Installation:**

1. The strike can be configured using different methods. The faceplate can be removed and rotated horizontally as needed for right-hand or left-hand operation. See Figure 1.
2. Remove the faceplate from the strike.
3. Match the strike portion to the door bolt. It may be necessary to rotate the strike vertically to match the door bolt.
4. Note on the door jamb the location that matches the strike to the bolt, and mark the outer dimension on the door jamb with a pencil.
5. Use a chisel to cut out a hole in the door jamb measuring 1 1/4"x3"x1 1/2" (32x75x38 mm). See Figure 2.
6. Hold the strike in the hole, then close and open the door to make sure the position matches the door bolt.
7. Mount the faceplate back on the strike. Note that it can be rotated horizontally to match the door bolt.
8. Put the strike back in the hole that was just cut. Use the faceplate as a template to draw the location of the faceplate with a pencil.
9. Remove the strike and use a chisel to cut out a space for the faceplate to a depth of 1/8" (3.2mm). See Figure 4.
10. Place the strike with attached faceplate in the hole and double-check the fit and operation with the door bolt. Make any adjustments.
11. Connect the two wires to the access control or egress device, such as a keypad, pushbutton, push bar, or other device. Polarity is not important. Insulate the wire connections carefully. See Figure 5.
12. Push the connected wires into their hole in the door jamb so they are not exposed when the strike is fully mounted.
13. Use the two included wood screws to screw the faceplate tightly to the door jamb. See Figure 6.

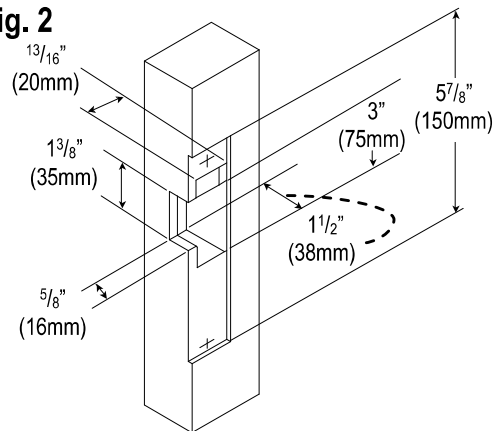
**Fig. 1**



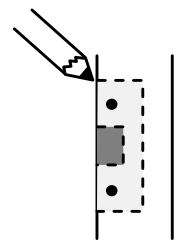
SD-994A-A1AQ

SD-994A-A1SQ

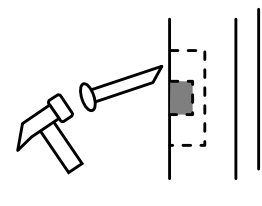
**Fig. 2**



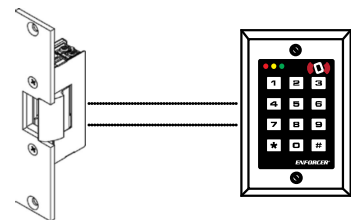
**Fig. 3**



**Fig. 4**

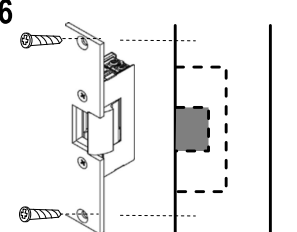


**Fig. 5**



SK-1131-SPQ keypad

**Fig. 6**



**IMPORTANT:** Warranty voided if power applied for more than 15 seconds

## SECO-LARM® Electric Strikes

### Also Available from SECO-LARM®:



**Electric Door Strike for Metal Doors**  
SD-995C



**Electric Door Strike for Wood Doors**  
SD-994C



**Universal Door Strike**  
SD-996C-NUQ



**Fail-Secure Electric Door Strike**  
SD-990AQ



**Fail-Safe Electric Door Strike**  
SD-990BQ



**Indoor Access Control Keypad**  
SK-1011-SDQ

### Troubleshooting:

Electric strike does not activate

- Remove the strike and check that the wires are connected properly
- Use a multimeter to test that the strike is receiving the proper voltage and amperage. If it is not, it may be necessary to use heavier gauge wires, or increase the output of the power supply
- Make sure the activation device (keypad or pushbutton switch) is working properly

Door does not open when the electric strike is activated

- Check that the door latch is operating properly, and replace if necessary
- The position of the electric strike may need to be adjusted by moving it or adding washers or shims

**WARRANTY:** This SECO-LARM product is warranted against defects in material and workmanship while used in normal service for one (1) years from the date of sale to the original customer. SECO-LARM's obligation is limited to the repair or replacement of any defective part if the unit is returned, transportation prepaid, to SECO-LARM. This Warranty is void if damage is caused by or attributed to acts of God, physical or electrical misuse or abuse, neglect, repair or alteration, improper or abnormal usage, or faulty installation, or if for any other reason SECO-LARM determines that such equipment is not operating properly as a result of causes other than defects in material and workmanship. The sole obligation of SECO-LARM and the purchaser's exclusive remedy, shall be limited to the replacement or repair only, at SECO-LARM's option. In no event shall SECO-LARM be liable for any special, collateral, incidental, or consequential personal or property damage of any kind to the purchaser or anyone else.

**NOTICE:** The information and specifications printed in this manual are current at the time of publication. However, the SECO-LARM policy is one of continual development and improvement. For this reason, SECO-LARM reserves the right to change specifications without notice. SECO-LARM is also not responsible for misprints or typographical errors.

Copyright © 2015 SECO-LARM U.S.A., Inc. All rights reserved. This material may not be reproduced or copied, in whole or in part, without the written permission of SECO-LARM.

## SECO-LARM® U.S.A., Inc.

16842 Millikan Avenue, Irvine, CA 92606

Website: [www.seco-larm.com](http://www.seco-larm.com)



Phone: (949) 261-2999 | (800) 662-0800

Email: [sales@seco-larm.com](mailto:sales@seco-larm.com)

MiSD-994A-A1xQ\_141023.docx