

# SECO-LARM®

## SD-991A-D1Q

### Mini Electric Door Strike

### Manual



#### Features:

- Mini fail-secure electric door strike
- 12VDC operation
- Includes no-cut and low-cut strike plates
- Door remains locked if power is lost
- Reversible non-handed design
- Can be used with almost any cylindrical door locking system
- Suitable for office-type applications
- Compatible with digital keypads, pushbutton switches and other entry devices

## Features:

- Converts cylindrical lock sets into an electronic access-controlled locking system
- Fail-secure operation – Door remains locked if power to the strike is lost
- 2-wire installation, non-polarized connection
- Stainless steel keeper for strength and long life
- Can be used with virtually any cylindrical door locking system
- Can be used with an optional digital keypad, pushbutton switch, etc.
- Suitable for office-type applications
- Reversible non-handed design fits either right-hand or left-hand doors
- Shallow design for use with most metal doors
- Powered by a solenoid, not a buzzer coil
- For indoor use only
- Optional bronze low-cut strike plate (SD-991RA-61Q/B) available:
  - Fits most metal or wood doors with minimum cutting of door frame beyond the hole for the strike

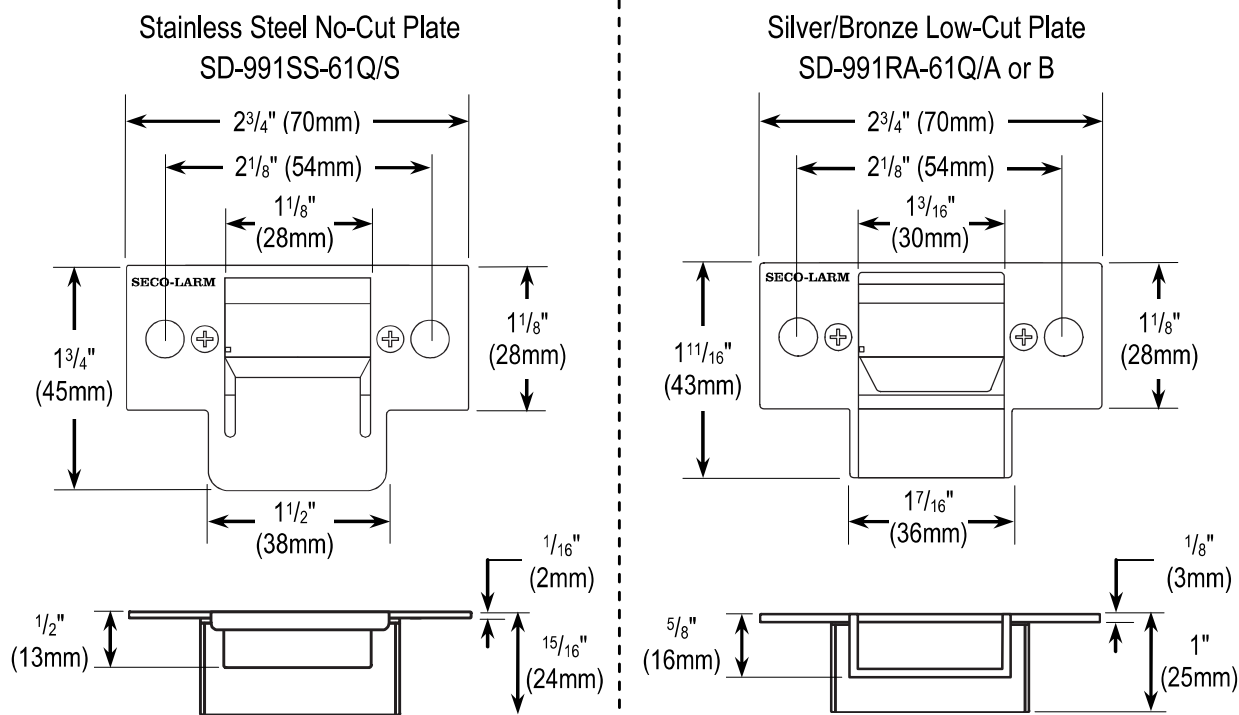
## Parts List:

1x Door strike	2x Mounting screws	2x Splice connectors
2x Strike plate screws	1x Mounting template	1x Manual
1x Stainless steel no-cut strike plate (SD-991SS-61Q/S)	1x Silver low-cut strike plate (SD-991RA-61Q/A)	

## Specifications:

Operating voltage	12VDC	
Current draw	280mA@12VDC	
Holding force	1,000-lb (454kg)	
Endurance	250,000 Cycles (Factory tested)	
Latch throw	1/2" (13mm)	
Keeper width	SD-991SS-61Q/S	1 1/8" (28mm)
	SD-991RA-61Q/A or B	1 3/16" (30mm)
Operating humidity	0~85% (Non-condensing)	
Operating temperature	14°~120° F (-10°~49° C)	

## Overview:



**Installation:**

**For Timely® interior door frames (see Fig. 1):**

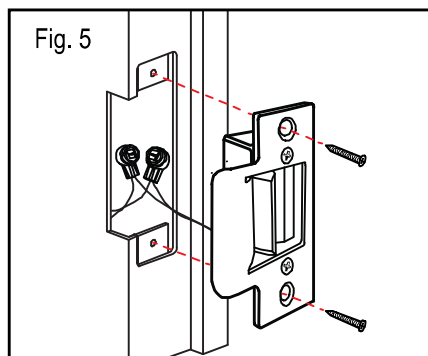
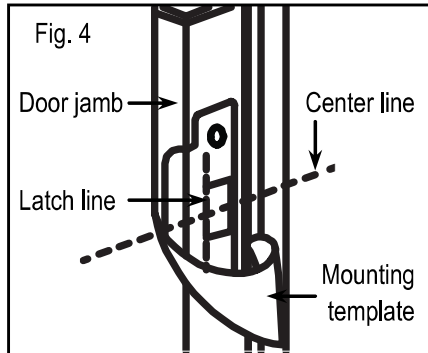
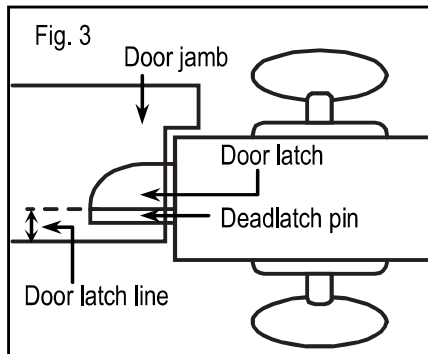
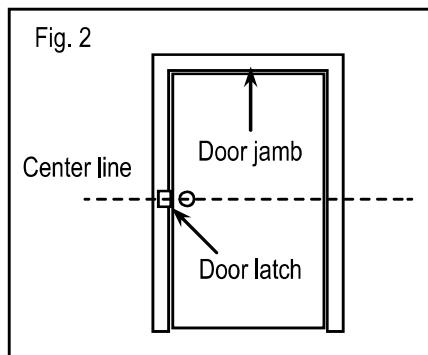
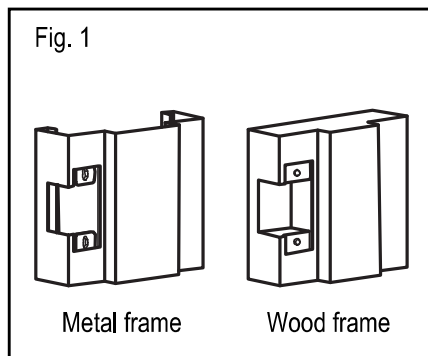
The no-cut door strike should fit into the door strike cutout of Timely interior door frames without making any new cuts or screw holes. However, in rare cases because of how the door latch was installed, it may be necessary to cut out a small piece of the frame, or drill new screw holes.

**For non-Timely® interior door frames:**

1. Measure the center line (see Fig. 2):
  - a. Measure the distance from the floor to the center of the door latch. Ignore the location of the deadlatch pin when taking measurements.
2. Measure the latch line (see Fig. 3):
  - a. Measure the distance from the door latch to the edge of the door jamb. This is the “door latch line”.
3. Align the included mounting template to the latch line and center line (see Fig. 4).
4. Using the template as a guide, cut a hole in the frame to fit the door strike. In most cases, the surface-mount no-cut strike plate will work.
5. In the rare case where a deeper cut into the frame is needed to match the door latch, use the template to cut out space for the low-cut strike plate.
6. Mount the electric door strike with the appropriate strike plate into the hole to ensure it does not interfere with the closing of the door, and that it properly catches the door latch. Make adjustments if needed.

**Wire the electric door strike (see Fig. 5):**

1. Connect the two wires of the electric door strike to the wires from the access control or egress device (keypad, pushbutton switch, pushbar, etc.), and insulate with electrical connectors or electrical tape. Polarity is not important. Make sure no bare wires are exposed.
2. Conceal all wires in the door frame.
3. Tightly mount the electric door strike to the frame with the included door frame mounting screws.



## Troubleshooting:

Electric strike does not activate

- Unmount the strike and check that the two wires are connected properly
- Ensure the wires are connected to a 12VDC source
- Use a multimeter to test that the strike is receiving the proper voltage and amperage. If it is not, it may be necessary to use heavier gauge wires, or increase the output of the power supply
- Make sure the activation device (keypad, pushbutton switch, etc.) is working properly

Door does not open when the electric strike is activated

- Check that the door latch is operating properly and replace if necessary
- The position of the electric strike may need to be adjusted by moving it or adding washers or shims

## Also Available from SECO-LARM®:

Surface-Mount Electric Rim Strike



SD-998C-NUQ

Vandal Resistant Outdoor Access Control Keypad



SK-1123-SDQ

Electric Door Strike for Metal Doors



SD-995C

Push-to-Exit Bar



SD-961A-36

Single Door Maglock 600-lb Holding Force



E-941SA-600

**WARRANTY:** This SECO-LARM product is warranted against defects in material and workmanship while used in normal service for one (1) year from the date of sale to the original customer. SECO-LARM's obligation is limited to the repair or replacement of any defective part if the unit is returned, transportation prepaid, to SECO-LARM. This Warranty is void if damage is caused by or attributed to acts of God, physical or electrical misuse or abuse, neglect, repair or alteration, improper or abnormal usage, or faulty installation, or if for any other reason SECO-LARM determines that such equipment is not operating properly as a result of causes other than defects in material and workmanship. The sole obligation of SECO-LARM and the purchaser's exclusive remedy, shall be limited to the replacement or repair only, at SECO-LARM's option. In no event shall SECO-LARM be liable for any special, collateral, incidental, or consequential personal or property damage of any kind to the purchaser or anyone else.

**NOTICE:** The SECO-LARM policy is one of continual development and improvement. For that reason, SECO-LARM reserves the right to change specifications without notice. SECO-LARM is also not responsible for misprints. All trademarks are the property of SECO-LARM U.S.A., Inc. or their respective owners. Copyright © 2017 SECO-LARM U.S.A., Inc. All rights reserved.

**SECO-LARM® U.S.A., Inc.**

16842 Millikan Avenue, Irvine, CA 92606  
Phone: (949) 261-2999 | (800) 662-0800

Website: [www.seco-larm.com](http://www.seco-larm.com)  
Email: [sales@seco-larm.com](mailto:sales@seco-larm.com)

 PITGW1

MI\_SD-991A-D1Q\_170821.docx