

Mechanical Keypad Door Lock

SD-962H-8LAQ

The SECO-LARM Mechanical Keypad Door Lock provides secure locking while avoiding the hassle and cost of dealing with providing, duplicating, or replacing keys. Unlike keyed locks, the lock code can be easily changed by the user at any time. The code is not sequential, so the code letters/digits can be entered in any order. Since it is completely mechanical, there is no need to run wires from a power supply or replace batteries. The inside handle always operates to allow safe egress in an emergency.

Features:

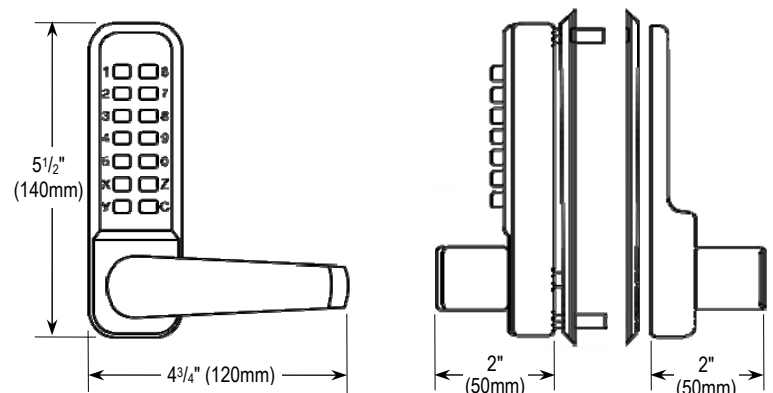
- Non-handed installation
- External and internal entry lever
- 13 code buttons, over 8,000 possible codes
- Lock code easily changed
- Suitable for door thicknesses from 1³/₁₆"~2¹/₈" (30~54 mm)
- Tubular latchbolt included
- Heavy-duty steel case US32D/630
- Fully mechanical
- No batteries or other power source required
- Free egress from inside
- Indoor or outdoor use
- Simple Installation



Specifications:

Type	Fully mechanical keypad lock
Code length	4~6 Digits (0~9, X, Y, and Z)
Handed	Field reversible (factory default – internal, right-handed / external, left-handed)
Bolt throw	1/2" (13mm)
Backset	2 ³ / ₄ " (70mm)
Housing	Heavy-duty satin finish stainless steel US32D/630
Dimensions	2"x4 ³ / ₄ "x5 ¹ / ₂ " (50x120x140 mm)
Weight	3-lb 1-oz (1.35kg)

Overview:



SECO-LARM® U.S.A., Inc.

16842 Millikan Avenue, Irvine, CA 92606

Phone: (949) 261-2999 | (800) 662-0800 Fax: (949) 261-7326

Website: www.seco-larm.com Email: sales@seco-larm.com



Copyright © 2019 SECO-LARM U.S.A., Inc. All rights reserved.

All trademarks are the property of SECO-LARM U.S.A., Inc. or their respective owners. The SECO-LARM policy is one of continual development. For that reason, SECO-LARM reserves the right to change prices and specifications without notice. SECO-LARM is not responsible for misprints.

SECO-LARM® ENFORCER® CRIMEBUSTER® CBA® SLI®

PL_SD-962H-8LAQ_190906.docx