

# HIVE<sup>®</sup> 1 Channel Nano RECEIVER

## USER MANUAL



Part No. RECTSNANO433

V.3.24.17



## 1. DESCRIPTION

The Nano Receiver is designed to control automatic closing systems and anti-burglar systems, thanks to its very high security coding system (KeeLoq® Hopping code).

The receiver has 1 output relay with NO contacts, and can be connected to many types of operators (gate, garage door, rolling shutters, awnings, anti-burglar appliances, etc.).

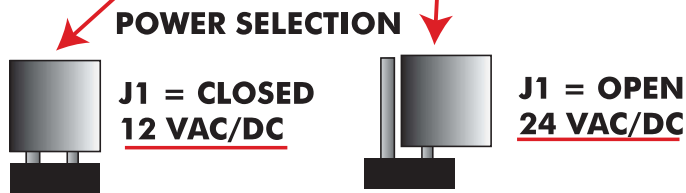
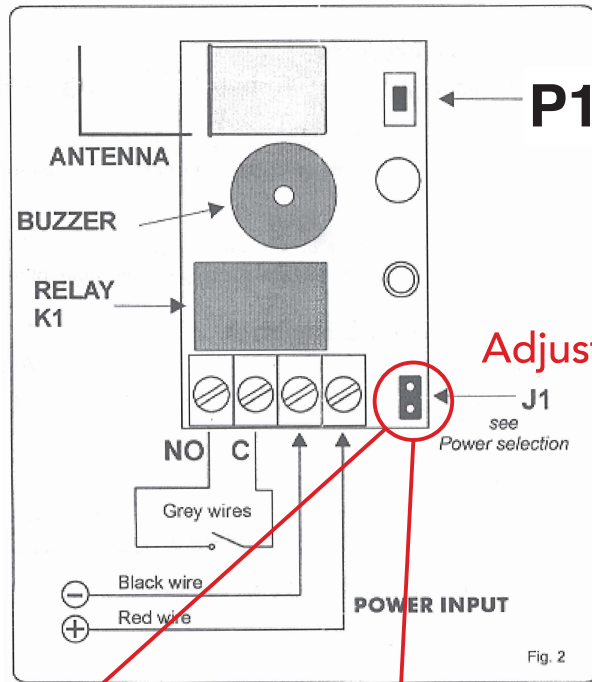
The programming can be done in a self-learning mode by means of one programming button.

This appliance fully complies with the European Regulations 89/336/EEC, 73/23/EEC, EN 60950-1 and FCC Part 15.

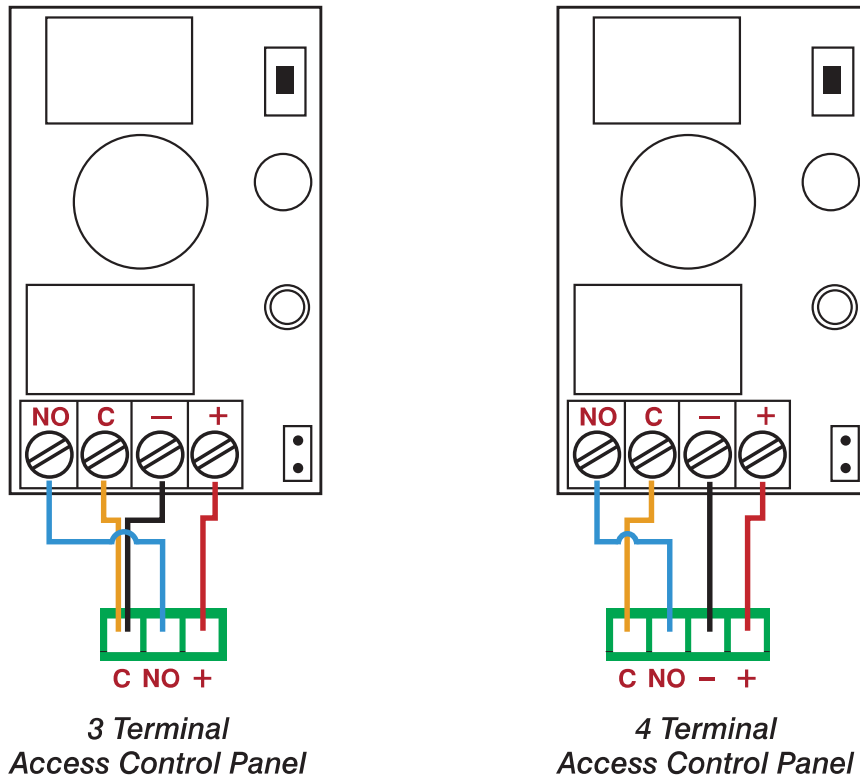
## 2. TECHNICAL SPECIFICATIONS

|                                     |   |
|-------------------------------------|---|
| Receiver type                       | Superheterodyne                                     |
| Carrier frequency                   | 433.92 MHz  |
| Local oscillator frequency          | 6.6128 MHz  |
| Demodulation                        | AM/ASK  |
| Local Oscillator                    | VCO / PLL   |
| Channel width                       | > 25 KHz  |
| Intermediate frequency              | 10.7 MHz  |
| Input sensitivity                   | -115 dBm  |
| Local oscillator spurious emissions | < -57 dBm   |
| Input load                          | 50 Ohm  |
| Power supply                        | 12 / 24 VAC/DC                                      |
|                                     | Consumption at 12V: 9mA at rest, 26mA relay excited |
|                                     | Consumption at 24V: 9mA at rest, 31mA relay excited |
| Max applicable power                | 24 VA   |
| Relay number                        | 1   |
| contacts                            | C-NO  |
| Memory capacity                     | 85 user codes                                       |
| TX security code                    | Rolling code  |
| Max code combination number         | 2 <sup>64</sup>                                     |
| Operating temperature               | -20° / +70° C                                       |
| Housing protection                  | IP2X  |
| Overall dimensions                  | 2 x 1¼ x ¾ inches                                   |

### 3. LAYOUT AND CONNECTIONS



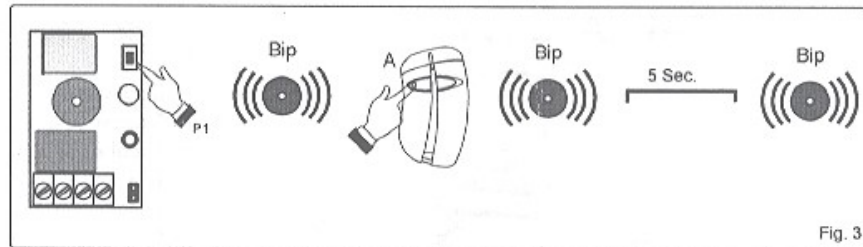
#### 3.2 Wiring



## 4. TX PROGRAMMING

### 4.1 Using P1

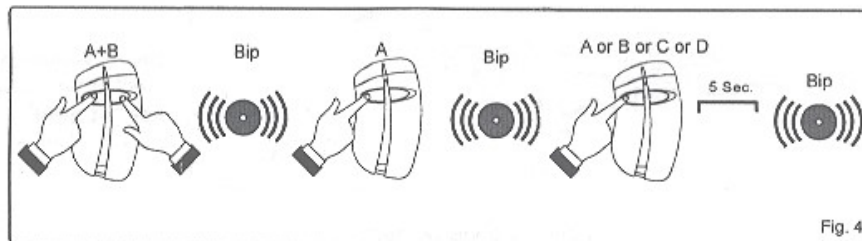
- 1) Keep P1 pressed down until the buzzer emits a short beep (approx. 3 seconds) ; (Fig 3)
- 2) Push the transmitter key to program the receiver; the receiver will beep to verify program.
- 3) The receiver will allow additional transmitters to be programmed for 5 seconds. After 5 seconds, the receiver will beep and the programming procedure ends.



### 4.2 Without P1

With this procedure it is possible to program the transmitters without pressing P1 - program button (Fig 4)

- 1) Push simultaneously the keys A + B of the transmitter until the beep;
- 2) Release and push the key A until the next beep of the buzzer (memory opening);
- 3) Release A and push the key of the transmitter to memorize (A or B) until the beep of the buzzer (memory closing).



**NOTE:** The programming of a new transmitter can be done only using a transmitter already memorized. Use the transmitter already memorized to open the memory. (Step 1 and 2). Complete the procedure by pressing the key of the new transmitter to memorize.

## 5. PROGRAMMING THE ADJUSTABLE TIME HOLD FEATURE

1. Press and hold P1(program button) on the receiver until buzzer beeps (approx. 3 seconds).
2. Quickly release program button and immediately press and release the program button for the number of seconds of hold time.
3. Wait 5 seconds for receiver to exit program mode.

Example:

$PR + PR + PR + PR + PR = 1 + 1 + 1 + 1 + 1 = 5$  sec. adjustable hold time  
(PR = Press - Release)

## 6. MEMORY FULL

If the memory is full, when you try to memorize a new transmitter the buzzer beeps 3 times.

## 7. MEMORY ERASURE

### 7.1 Single transmitter

- 1) Push P1 until the beep of the buzzer, then release it;
- 2) Push the key of the transmitter to delete until the beep of the buzzer.

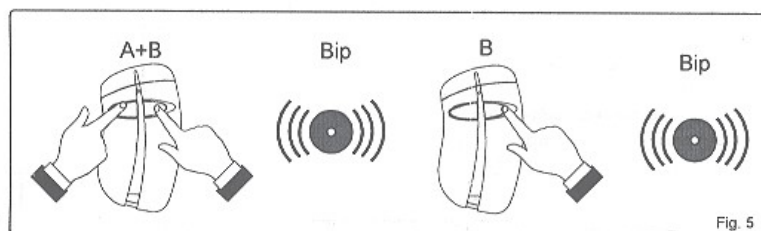
### 7.2 Full Memory erasure

- 1) Push P1 until the beep of the buzzer, then release it;
- 2) Release P1 and push it again until the buzzer beeps 3 times. At this point the memory has been completely erased.

## 8. ENABLING/DISABLING THE ACTIVATION BEEP

It's possible to program the receiver to make a beep when the relay is activated. Follow this procedure:

- 1) Press simultaneously the keys A + B of a transmitter already memorized.
- 2) Release and press the key B of the transmitter to the beep.  
For the beep disabling, repeat the above procedure.



## WARRANTY

The warranty period of Transmitter Solutions Nano receiver is twenty-four (24) months. This warranty shall begin on the date the receiver is manufactured. During the warranty period, the product will be repaired or replaced (at the sole discretion of Transmitter Solutions) if the product does not operate correctly due to a defective component. This warranty does not extend to (a) the receiver case, which can be damaged by conditions outside the control of Transmitter Solutions. This warranty is further limited by the following disclaimer of warranty and liability:

EXCEPT AS SET FORTH ABOVE, TRANSMITTER SOLUTIONS MAKES NO WARRANTIES REGARDING THE GOODS, EXPRESS OR IMPLIED, INCLUDING WARRANTY OF MERCHANTABILITY OR WARRANTY OF FITNESS FOR A PARTICULAR PURPOSE. BUYER MAKES NO RELIANCE ON ANY REPRESENTATION OF TRANSMITTER SOLUTIONS, EXPRESS OR IMPLIED, WITH REGARD TO THE GOODS AND ACCEPTS THEM "AS-IS/WHERE-IS". TRANSMITTER SOLUTIONS SELLS THE GOODS TO BUYER ON CONDITION THAT TRANSMITTER SOLUTIONS WILL HAVE NO LIABILITY OF ANY KIND AS A RESULT OF THE SALE. BUYER AGREES THAT TRANSMITTER SOLUTIONS SHALL HAVE NO LIABILITY FOR DAMAGES OF ANY KIND, WHETHER DIRECT, INCIDENTAL OR CONSEQUENTIAL DAMAGES, INCLUDING INJURIES TO PERSONS OR PROPERTY, TO BUYER, ITS EMPLOYEES OR AGENTS, AS A RESULT OF THE SALE. BUYER ALSO AGREES TO HOLD TRANSMITTER SOLUTIONS HARMLESS FROM ANY CLAIMS BUYER, OR ANY THIRD PARTY, MAY HAVE AS A RESULT OF BUYER'S USE OR DISPOSAL OF THE GOODS. BUYER HAS READ THIS DISCLAIMER AND AGREES WITH ITS TERMS IN CONSIDERATION OF RECEIVING THE GOODS.



2480 South 3850 West, Suite B  
Salt Lake City, UT 84120  
(866) 975-0101 • (866) 975-0404 fax  
[www.transmittersolutions.com](http://www.transmittersolutions.com)