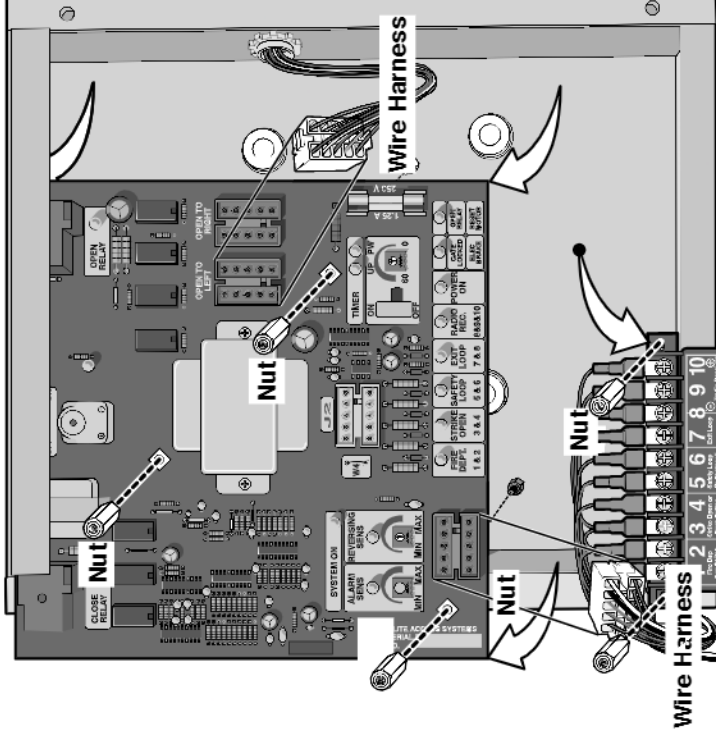


# Upgrade to OmniControl™ Board

From the older style control board

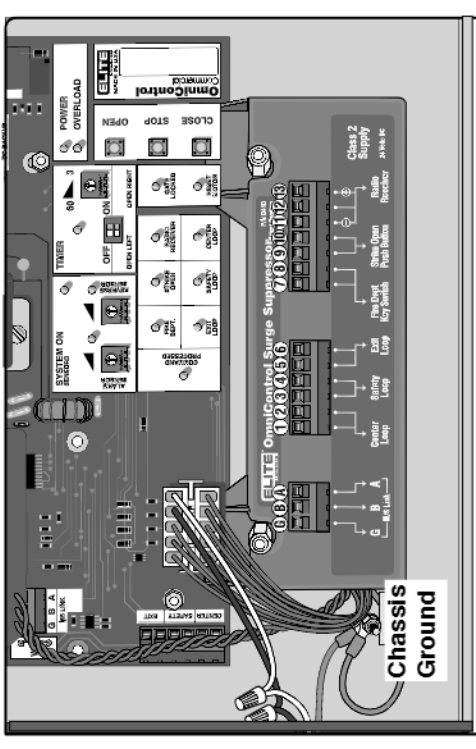
## Replacement of Board



Disconnect power to operator. Disconnect the 2 wire harnesses and remove the old board by removing the 3 nuts. Remove the terminal connection strip by removing the 2 nuts. Reverse this process to install the OmniControl™ board.

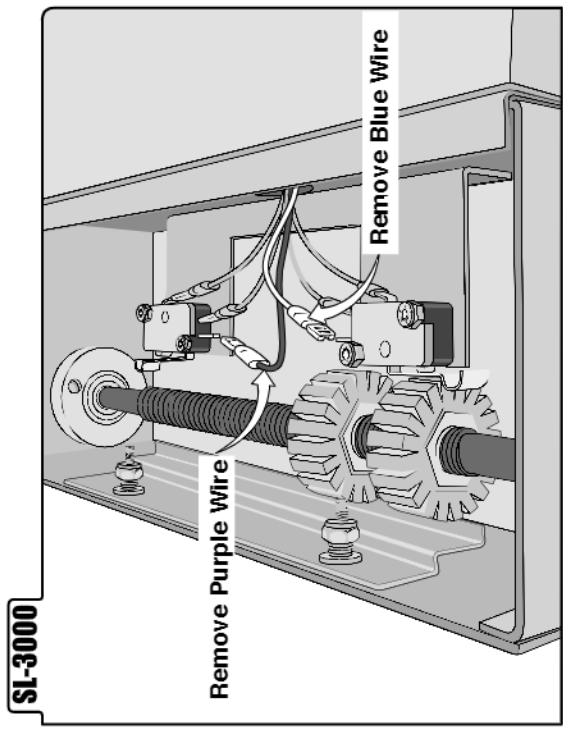
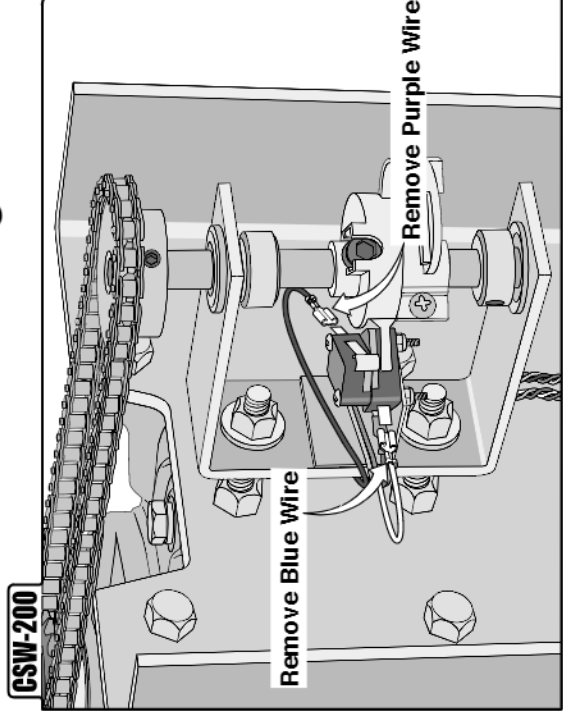
### **WARNING**

To prevent possible **SERIOUS INJURY** or **DEATH** from electrocution, disconnect electric power to unit before installation. ALL electrical connections **MUST** be made by a qualified individual.



Terminal connections for OmniControl™ are different than the existing board terminal connections.

## Limit Switch Wiring



The blue and purple wires are **NOT** used on the limit switches with the OmniControl™ board. Disconnect power to operator after installation is complete.

**WARNING:** This product can expose you to chemicals including lead, which are known to the State of California to cause cancer, birth defects or other reproductive harm. For more information go to [www.P65Warnings.ca.gov](http://www.P65Warnings.ca.gov)

# LiftMaster

# Terminal Input Wiring Connections For the OmniControl™ board

