

## RESET SWITCH MODEL K71-33445 FOR USE WITH OMNI BOARD UPGRADE FOR CSW200 AND SL3000

### CARTON INVENTORY

Reset switch bracket, washer head screws (3) #10-32X5/8", washer nuts (3) #10-32, reset switch with cable, label, plastic grommet and cable ties (3).

### INSTALLATION

1. Disconnect power to operator.
2. Remove the cover from the operator.
3. Assemble reset switch by installing screws (3) and nuts (3) to the mounting bracket (Figure 1).
4. Attach the assembly to the operator leg with (3) screws
5. against the top edge and the front flange to the front edge of the leg (Figure 2).

### WARNING

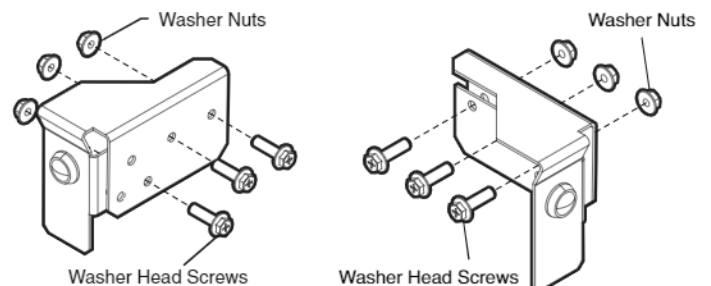
To prevent possible **SERIOUS INJURY** or **DEATH** from electrocution, disconnect electric power to operator **BEFORE** installing.

ALL electrical connections **MUST** be made by a qualified individual.



**WARNING:** This product can expose you to chemicals including lead, which are known to the State of California to cause cancer or birth defects or other reproductive harm. For more information go to [www.P65Warnings.ca.gov](http://www.P65Warnings.ca.gov)

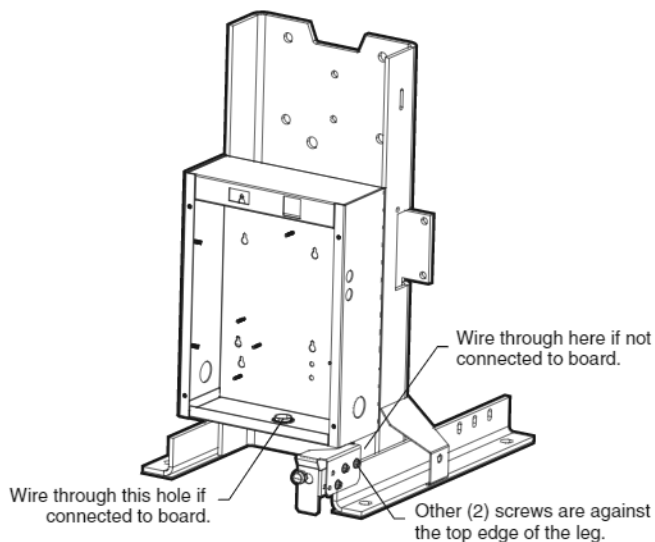
FIGURE 1



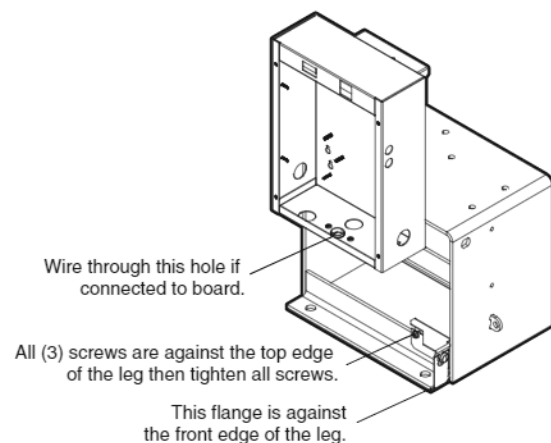
CSW200

SL3000

FIGURE 2



CSW200



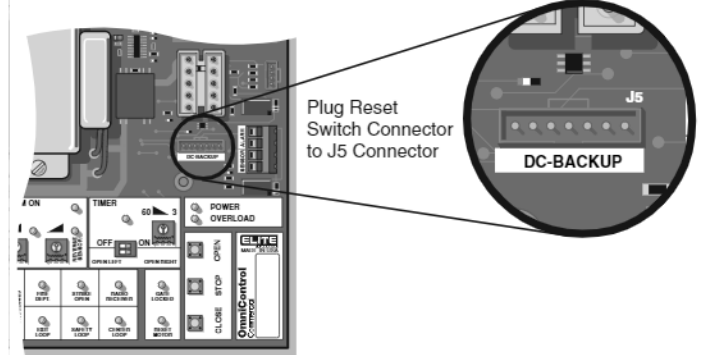
SL3000

5. Connect the wires for the reset switch referring to the instructions appropriate to the operator

**SL3000UL AND CSW200 (STANDARD OPERATORS):**

- Route the wires into the electrical box and plug the connector on the reset switch to J5 on the Omni board (Figure 3).

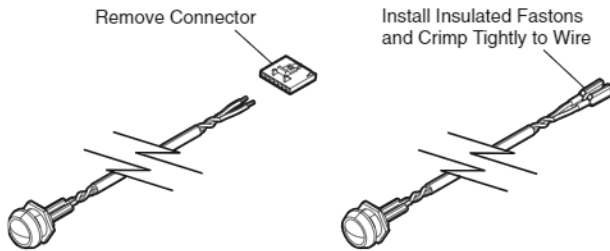
**FIGURE 3**



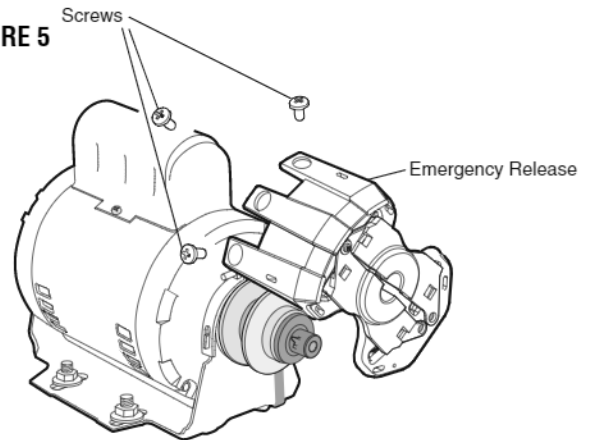
**OR**  
**SL3000UL WITH EMERGENCY RELEASE (NO BATTERY BACK-UP):**

- Remove the connector from the reset switch by cutting off connector. Strip insulation from wires. Insert wire and crimp faston (Figure 4).
- Remove 3 screws from the emergency release (Figure 5).
- Plug the fastons from the reset switch harness onto the piggyback fastons already connected to the interlock switch (Figure 6).

**FIGURE 4**



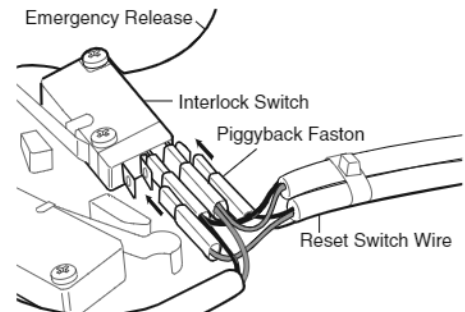
**FIGURE 5**



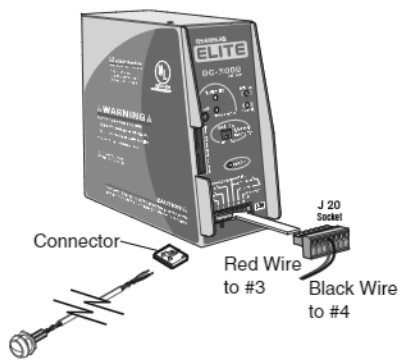
**OR**  
**SL3000UL AND CSW200UL WITH BATTERY BACK-UP (WITH/WITHOUT EMERGENCY RELEASE):**

- Remove the connector from the reset switch by cutting off connector. Strip insulation from wires (Figure 7).
- Insert the stripped terminals into DC back-up connector with red wire to terminal #3 and black wire to #4.

**FIGURE 6**



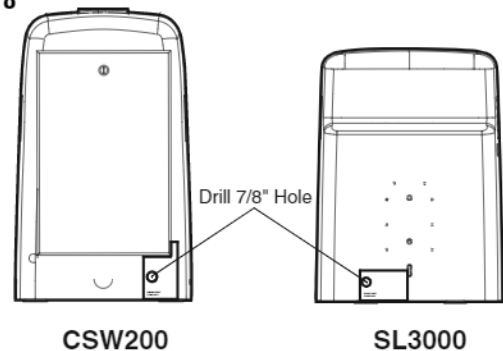
**FIGURE 7**



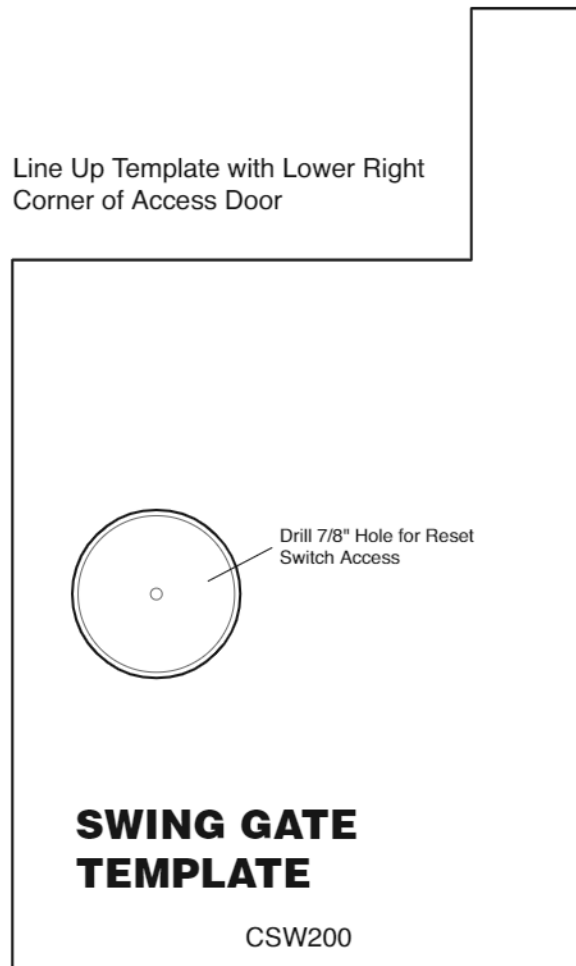
6. Drill access hole in the cover of operator using the appropriate template on the following page.

- Apply the template to the cover and align both edges of slot and bottom of the cover, then drill a hole (Figure 8).
- Affix the reset label around the hole.

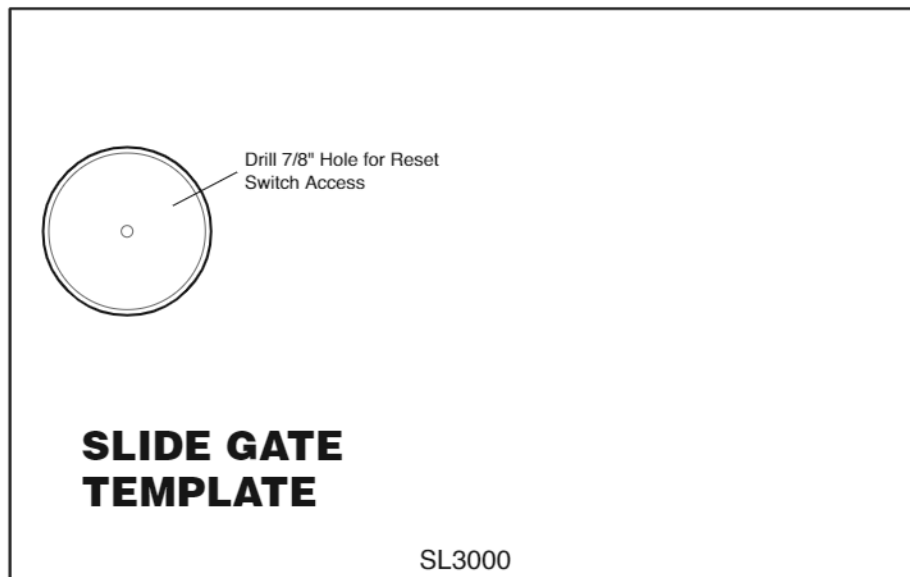
**FIGURE 8**



Line Up Template with Lower Right  
Corner of Access Door



Base of Operator



Make Flush With  
Padlock Loop

Base of Operator

