

## MOTOR, MOTOR DRIVE, AND POWER BOARD REPLACEMENT KIT K41-0097-000

These service kit instructions can also be applied to HD service kit numbers K41-0071-000 (HD Power Board), K41-0082-000 (Motor), and K41-0095-000 (Motor Drive)

### ⚠ WARNING

To reduce the risk of SEVERE INJURY or DEATH, disconnect power (AC, solar and battery) before servicing operator. Turn both the AC and Battery switches to off position.

All electrical connections MUST be made by a qualified individual.



**WARNING:** This product can expose you to chemicals including lead, which are known to the State of California to cause cancer or birth defects or other reproductive harm. For more information go to [www.P65Warnings.ca.gov](http://www.P65Warnings.ca.gov).

## Introduction

This kit contains the motor, motor drive, and power board for use in the LiftMaster heavy duty gate operators models HDSL24UL and HDSW24UL.

## Recommended Tools

- Phillips Screwdriver
- Allen Wrench
- Ratchet with extension or other limited access / low profile tool (HDSW24UL ONLY)

## Installation

1. Before you begin, label all wiring and take photos of all of the power board connections and the connections for the motor and motor drive. You will then be able to reference the labels and photos when connecting the new parts. Wire routing should be replaced exactly as it was from the factory to maintain EMC integrity.
2. Turn both the AC and the Battery switches to off.
3. Disconnect the wiring from the power board.
4. Access and remove the power board. See Fig. 1 and 2 (All HD Models)
5. Disconnect motor drive wiring from the control board MOTOR DRIVE.
6. Disconnect the wiring between the motor drive and motor.
7. Remove the motor drive. See Fig. 3 (For HD slide Models) or Fig. 4 (For HD Swing Model)  
*NOTE: You will need to use a limited access low profile tool when removing the motor drive on the HDSW24UL Gate Operator.*
8. Install new parts and reconnect all wiring. Ensure that the wiring is routed exactly as it was from the factory. Refer to the wiring diagram supplied on the next page or your gate operator manual for further instructions as needed.

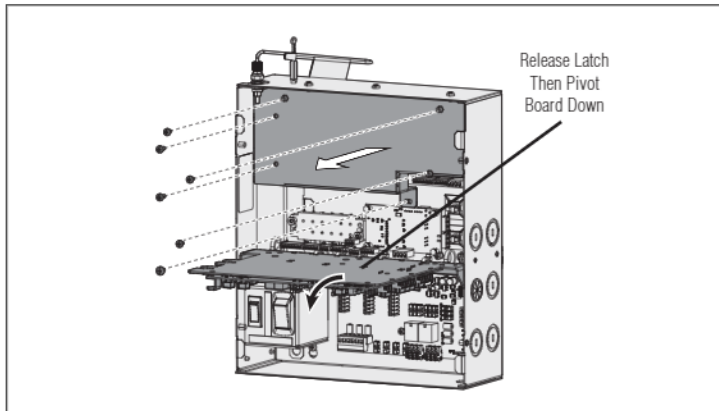


Fig. 1 - Accessing the Power Board (Models HDSL24UL / HDSW24UL)

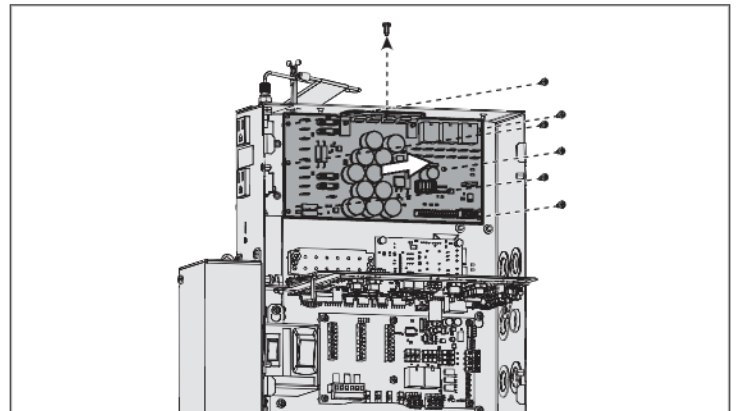


Fig. 2 - Removing the Power Board (Models HDSL24UL / HDSW24UL)

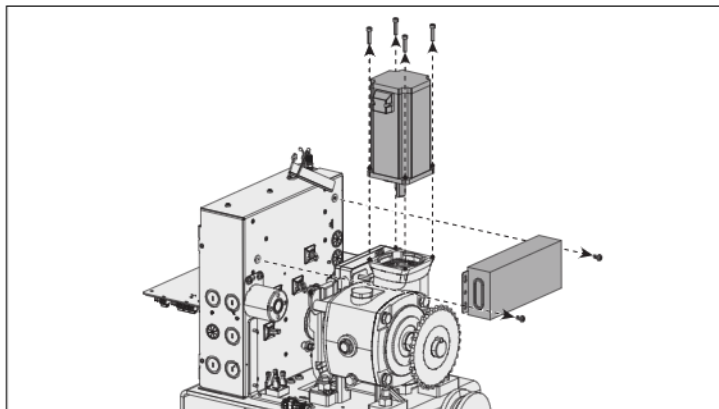


Fig. 3 - Removing the Motor and Motor Drive (Model HDSL24UL)

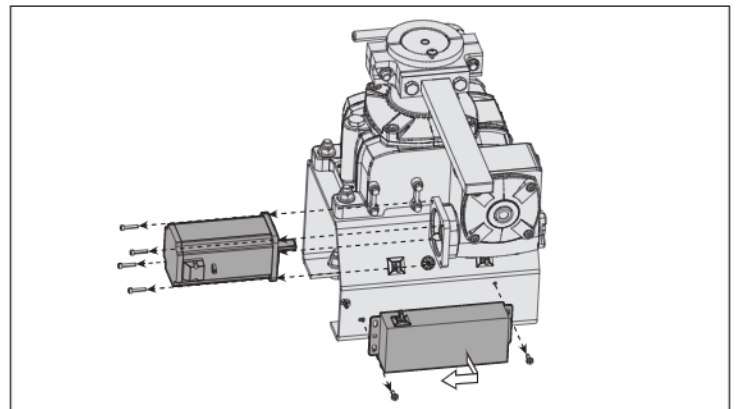
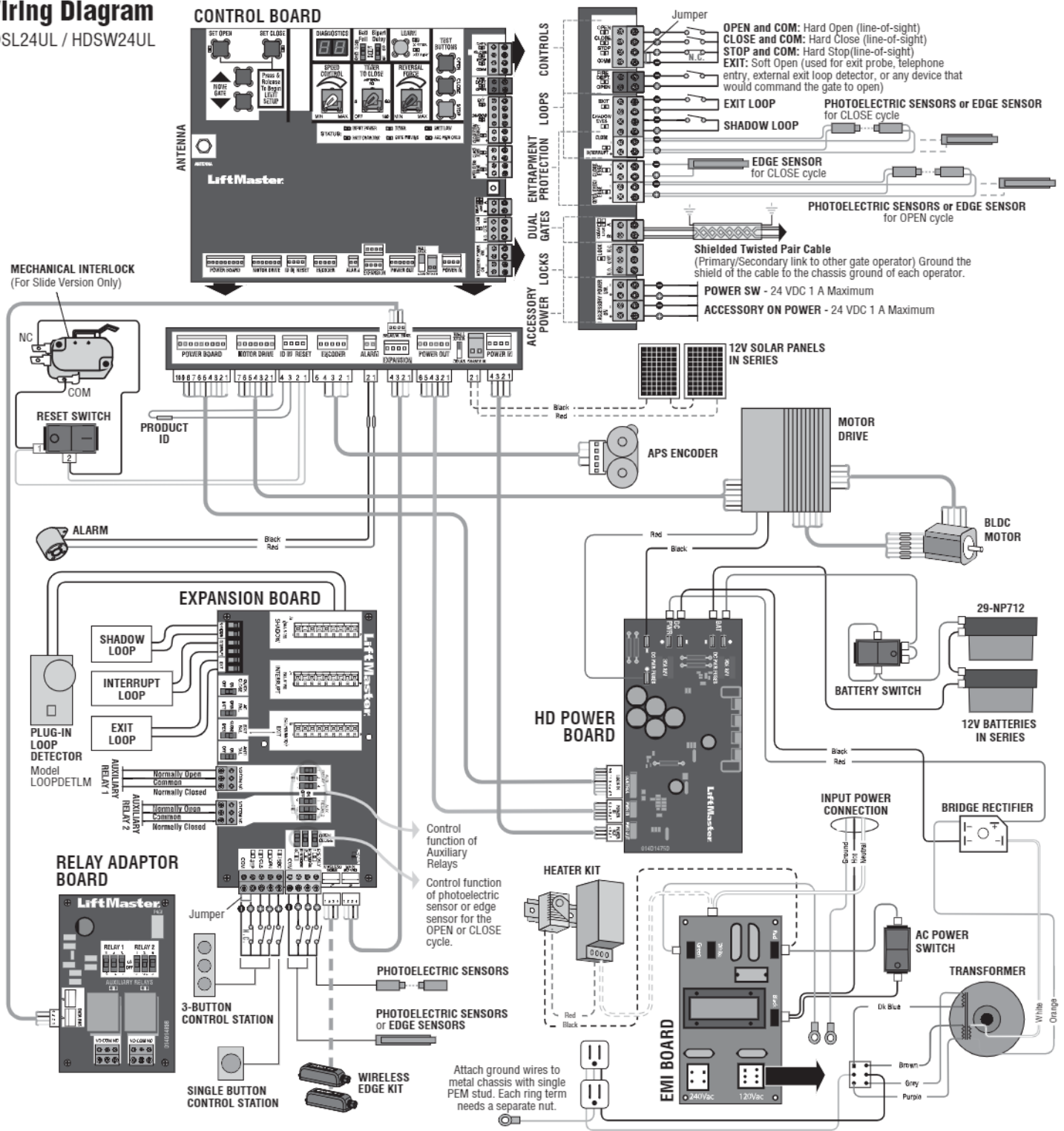


Fig. 4 - Removing the Motor and Motor Drive (Model HDSW24UL)

# Wiring Diagram

HDSL24UL / HDSW24UL



LiftMaster Support	Resources
Web	LiftMaster.com
FAQs	Support.Dealer.LiftMaster.com
Dealer Installation & myQ <sup>®</sup> Business <sup>™</sup> Support Videos	YouTube.com/LiftmasterSupport
Commercial / Professional support: 800-528-2806	Mon-Fri 5:00 a.m. to 6:00 p.m. MST
LiftMaster Training Academy	LiftMasterTraining.com
Dealer Extranet	Dealer.LiftMaster.com/Login