

# IRB-MON2

## UNIVERSAL UL325 THRU BEAM PHOTOEYE

Building on the success of the original IRB-MON, the **IRB-MON2** takes a step further by offering advanced features in a smaller and more convenient package.

### UL325 Monitoring Methods

The **IRB-MON2** easily integrates with various systems for increased adaptability.

- Normally Closed
- 10K Normally Open
- Two-Wire Pulse, 2 Frequency
- Two-Wire Pulse, 3 Frequency

**1/2 in. NPT Conduit Hole**

**115 ft. Operating Range**

### Integrated Sensor Hood

The integrated sensor hood shields the device from the elements, ensuring reliable performance in all conditions.

### Removable Terminal Block

The **IRB-MON2** boasts a removable terminal block for easy wiring.



# IRB MON2

scan here for more  
information



### EMX Industries, Inc.

5660 Transportation Blvd, Garfield Heights, OH 44125

Phone: 800 426 9912

Sales Inquiries: [salesupport@emxinc.com](mailto:salesupport@emxinc.com)

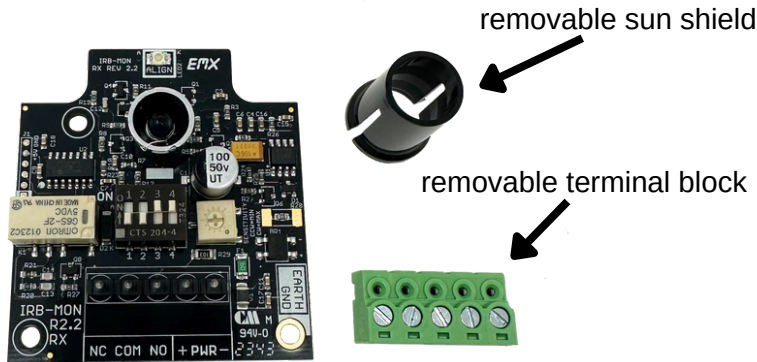
Technical Support: [technical@emxinc.com](mailto:technical@emxinc.com)

[www.emxinc.com](http://www.emxinc.com)

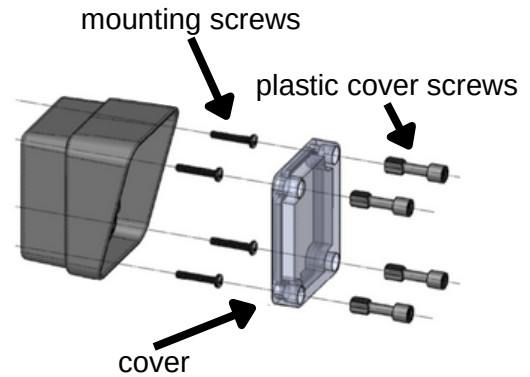


## MORE DETAILS

The **IRB-MON2** has detachable terminal blocks for easier wiring. Remove them while connecting wires, then plug them back in properly and secure them.



The **IRB-MON2** has an IP65 rated housing with integrated hood making confident installation a breeze.



EMX-1000-1  
IRB-MON2



EMX-1915-1  
IRB-MON2-HD-GREY



EMX-1916-1  
IRB-MON2-HD-GOLD

## TECHNICAL DATA

<b>Operating Range</b>	5 to 115 ft (35 m)
<b>Power</b>	6-35 VDC, 12-24 VAC
<b>Current (NC and 10K Monitoring Methods)</b>	35 mA DC (when aligned and relay activated)
<b>Current (Pulse Monitoring Methods)</b>	15 mA
<b>Connections</b>	"Removable" screw terminal for easy wiring
<b>Supported Monitoring Methods</b>	10K, 2-wire pulse, Normally Closed (power cycle)
<b>Relay Output Configuration</b>	Form C contacts (NO, COM, NC)
<b>Response Time</b>	<300 mS (for use in NC or 10K monitoring)
<b>Operating Temperature</b>	-40° to 170°F (-40° to 77°C)
<b>Dimensions (L x W x H)</b>	3.6" (91 mm) x 2.9" (74 mm) x 2.9" (74 mm)
<b>Conduit Hole Size (bottom of the housing)</b>	0.83" (21.3 mm) – large enough for 1/2 in. NPT

WARRANTY EMX INC. the product described herein for a period of 2 years under normal use and service from the date of sale to our customer. The product will be free from defects in material and workmanship. This warranty does not cover ordinary wear and tear, abuse, misuse, overloading, altered products, or damage caused by the purchaser from incorrect connections, or lightning damage. There is no warranty of merchantability. There are no warranties expressed, implied or any affirmation of fact or representation which extend beyond the description set forth herein. EMX Inc. sole responsibility and liability, and purchaser's exclusive remedy shall be limited to the repair or replacement at EMX's option of a part or parts not so conforming to the warranty. In no event shall EMX Inc. be liable for damages of any nature, including incidental or consequential damages, including but, not limited to any damages resulting from non-conformity defect in material or workmanship. Rev 3 12/06/2022

