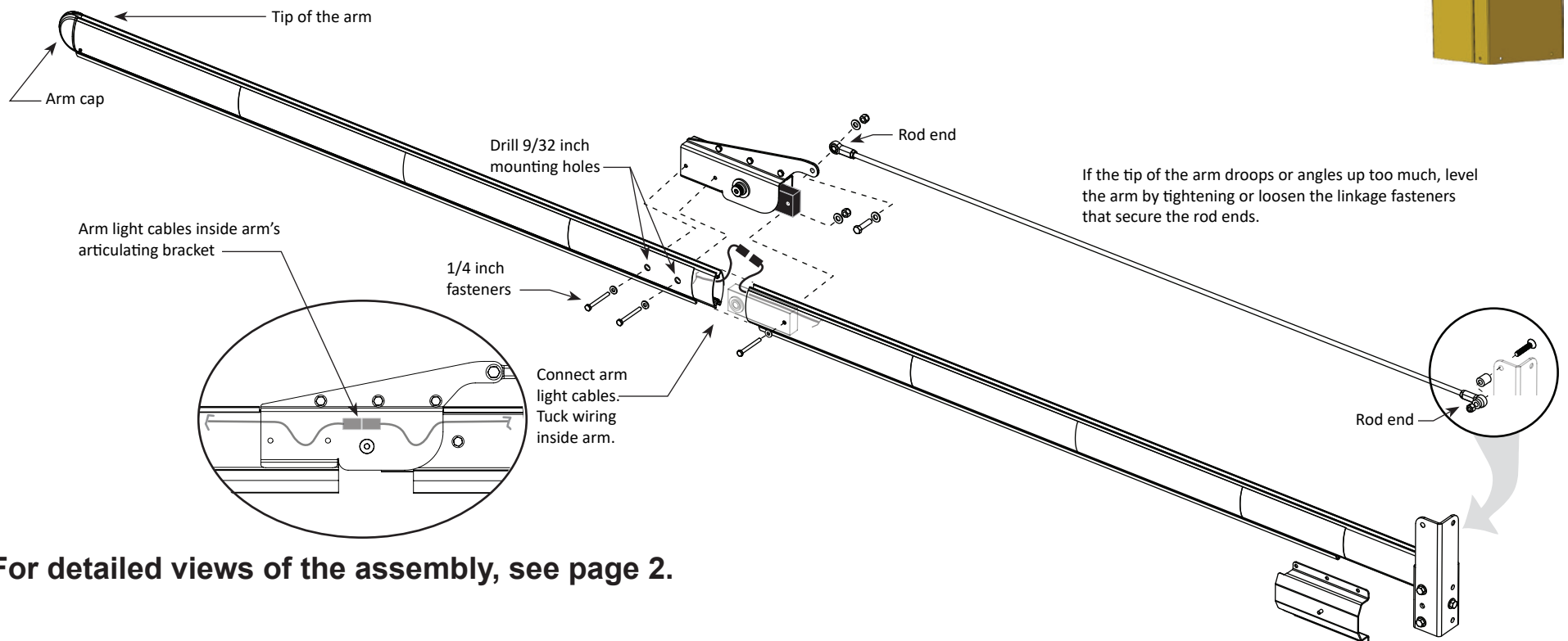


StrongArmPark DC Articulating Arm

Review the illustrations for the steps involved in assembling the articulating arm and attaching it to the StrongArmPark DC chassis.

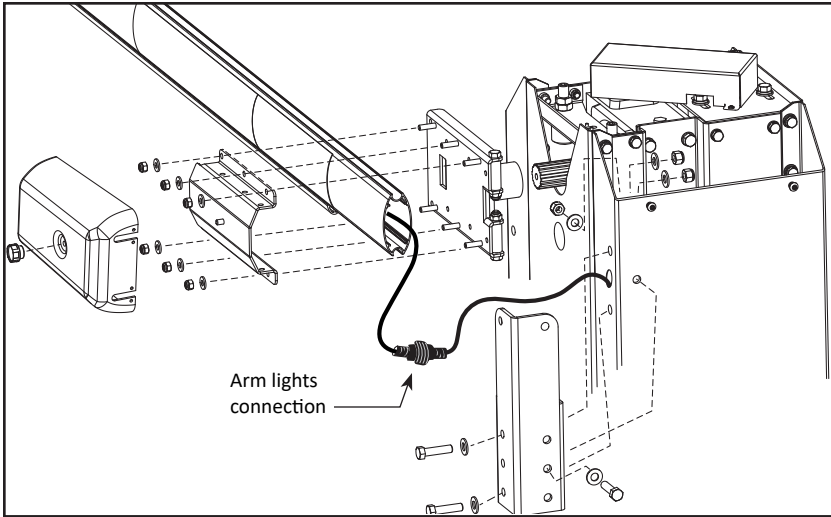
Tools required

- Box end wrenches: 7/16 and 9/16 inch
- Socket head wrenches: 7/16 and 9/16 inch
- 1/4 - inch Hex key
- Drill
- Drill bit 9/32 inch



For detailed views of the assembly, see page 2.

1



StrongArmPark DC: Articulating Arm Assembly

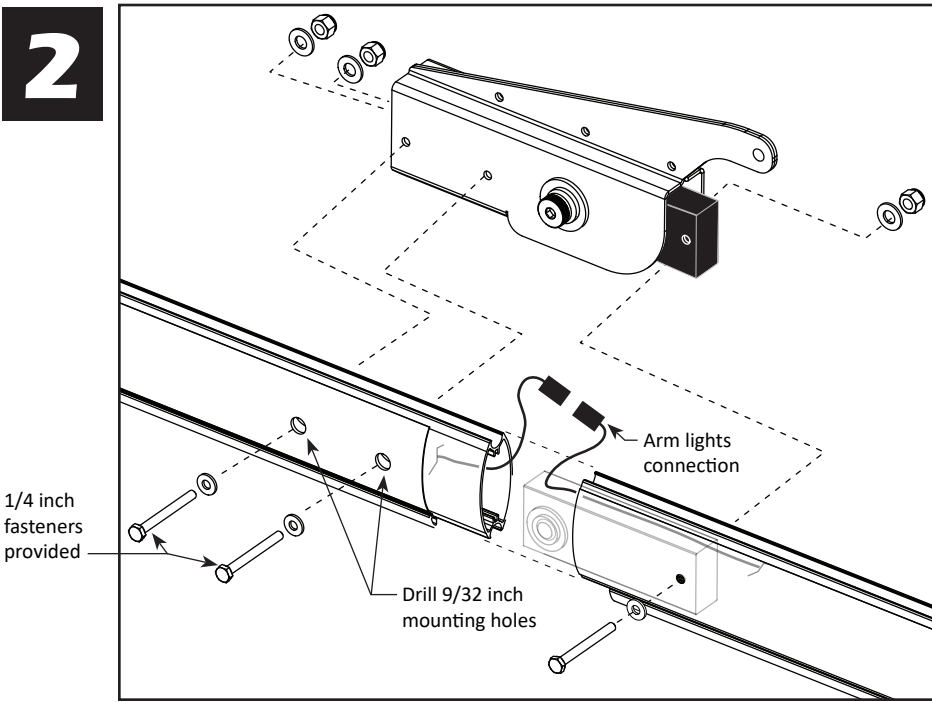
Follow the steps and secure the fasteners as shown.

Technical Support

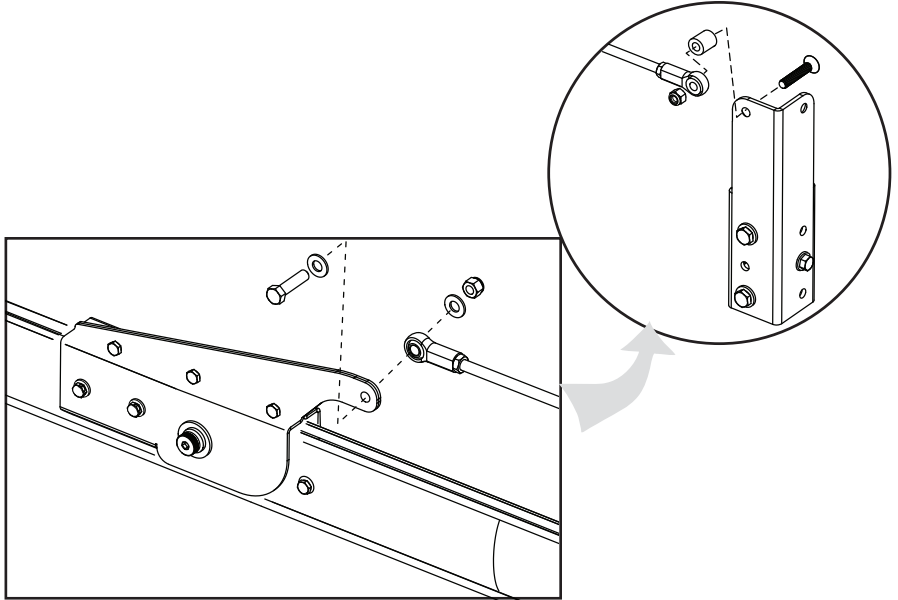
For technical support, call your installer or authorized HySecurity distributor. Obtain the serial number of your operator before calling.

For the name of a distributor near you, call HySecurity at 800-321-9947.

2



3



StrongArmPark DC: Lighting Connection for Articulated Arm

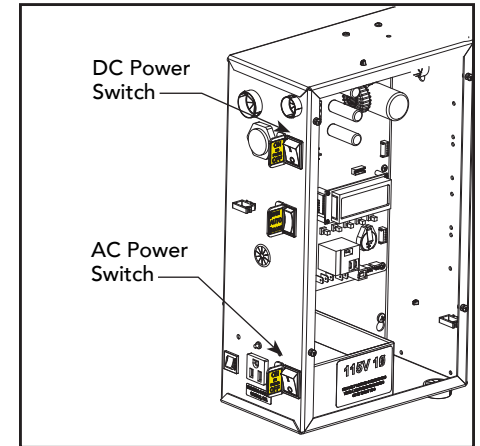
1. Make sure both AC and DC power switches are turned OFF.
2. Insert leads of wire harness through the hole in chassis between the two bracket mounts. Feed the cable through the interior of the chassis. Pull enough cable to reach the Smart DC Controller terminals.

NOTE: Connect wire lead to 24VDC. Lights are dim when connected to 12VDC.

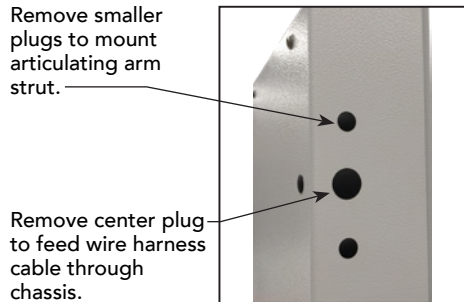
3. Attach the end of the wire harness (on the outside of the chassis) to the LED light connector on the arm. The wire harness connector is keyed. Be sure to seat the connectors before threading close.



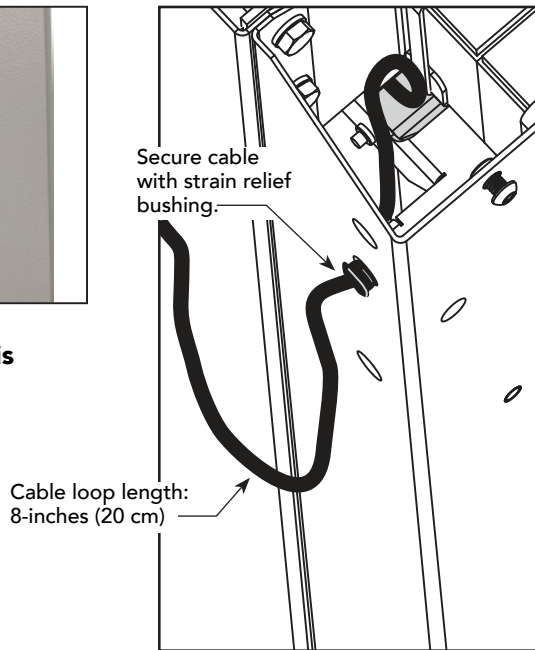
To allow full arm travel, the cable loop on the outside of the chassis must be a minimum 8-inches (20 cm) in length.



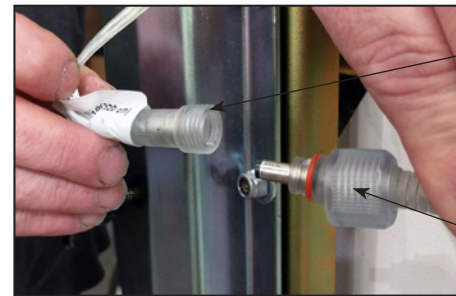
4. Secure the harness to the chassis with the strain relief bushing.



Remove Plugs in Chassis



Feed Cable through Chassis



Connect Articulating Arm Cable

LED Arm Light connector
Wire harness connector

5. Connect the one wire lead to the **24VDC** power supply terminal. See wiring illustrations on page 2.
6. Connect the other wire lead to the NO terminal on User Relay 2.
7. Turn on both AC and DC power switches. Arm will cycle to search for the target home position.
8. When the arm has stopped moving, access the Installer Menu.
9. Set the User Relay 2 logic function to one of the following:
 - R2 "27": LED lights remain on throughout arm travel and turn off when open limit is reached.
 - R2 "28": LED lights flash throughout arm travel and turn off when open limit is reached.

NOTE: In the event of AC power loss, either selection (27 or 28) turns off the lights which preserves battery life.

