

HDSL24UL HEAVY-DUTY VARIABLE SPEED SLIDE GATE OPERATOR

SECTION 32 31 00



KEY FEATURES

BATTERY BACKUP

Up to 120 days of standby power or 45 cycles when the power is down

REMOTE CONTROL ACCESS

Security+ 2.0® 3-channel receiver will handle up to 50 remote controls (unlimited remotes with 811LM/813LM)

INTERNET CONNECTIVITY

myQ® Business™ cloud connection and myQ capability for secure monitoring and control of gate operator from anywhere*

MONITORED SAFETY INPUTS

6 inputs (main and expansion board)

SOLAR-POWER CAPABILITIES

Yes. Reference detailed solar chart on product page at LiftMaster.com

DIAGNOSTIC DISPLAY

LED diagnostic display

WIRELESS DUAL-GATE COMMUNICATION

Eliminates expensive conduit costs and unsightly driveway scars

DUAL-GATE CONTROL

Bi-part delay or synchronized close

FIRE DEPARTMENT COMPLIANT

Allows gate to auto open upon loss of AC power or battery depletion: includes manual release

LIMIT SETTING

Electronic

PROGRAMMABLE AUXILIARY RELAYS

4 programmable auxiliary relays accommodate more accessories such as warning lights/alarms

UNAUTHORIZED ACCESS PREVENTION

Can be programmed with anti-tailgate or quick close capabilities

HOMELINK® COMPATIBLE

Version 4 or higher

SPECIFICATIONS

OPERATOR SPEED

.5 ft./sec. to 1 ft./sec.

POWER

120/240VAC single phase

ACCESSORY POWER

24VDC 1 A max. output; switched and unswitched power

OPERATOR WEIGHT

172 lbs.

WARRANTY

5 years commercial, 7 years residential

TEMPERATURE SPECIFICATIONS

Without heater: -4°F (-20°C) to 140°F (60°C); with optional heater: -40°F (-40°C) to 140°F (60°C)

UL USAGE CLASSIFICATION

Class I, II, III and IV

CONSTRUCTION

MOTOR

24VDC brushless motor with soft start/stop

OPERATOR DUTY RATING

Continuous-duty

CHASSIS/FRAME

Constructed with 1/4 in. powder coated steel for rust prevention

GEAR REDUCTION

Direct drive 40:1 gear ratio

COVER

High-density, UV-resistant polyethylene 1-piece cover for excellent heat and corrosion resistance

RECOMMENDED CAPACITIES

Rated for gates up to 75 ft. in length and weighing up to 3,000 lbs.

*When linked with a myQ Business capable access control. Cellular data or Wi-Fi® connection required.

DATA SHEET
SLIDE GATE OPERATOR

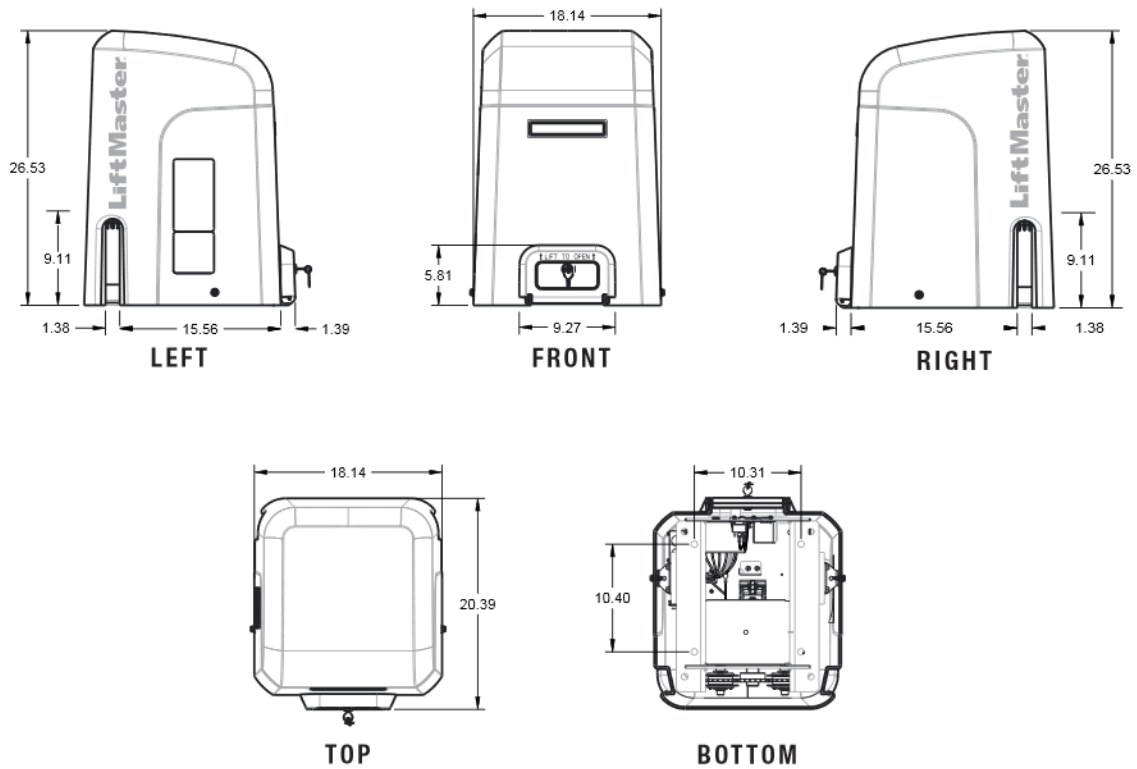


LiftMaster

HDSL24UL HEAVY-DUTY VARIABLE SPEED SLIDE GATE OPERATOR

SECTION 32 31 00

DIMENSIONS



CAPACITY

BATTERY BACK-UP OPERATION

BATTERY	CYCLES	STANDBY TIME
7Ah	45	120 DAYS
33Ah	190	180 DAYS

Cycles and Standby Time Based on Stand-Alone System

