

Electromagnetic Gate Locks with Weldable Brackets

E-942FC-600SQ

600-lb Holding force, face mount

E-942FC-1K3SQ

1,200-lb Holding force, face mount

E-946FC-1K2SQ

1,200-lb Holding force, side (surface) mount

Electromagnetic Gate Locks with brackets for armature and magnet. Three versions for different mounting applications. The E-942FC-600SQ and E-942FC-1K3SQ are primarily designed for swinging gates while the E-946FC-1K2SQ is primarily designed for sliding gates.

Features:

- For most types of outdoor sliding and swinging electric gates.
- Can be welded or bolted directly to gate.
- Brackets are zinc-plated for corrosion resistance.
- Black finish to match most gates.
- Water-and vandal-resistant attractive stainless-steel finish.
- Maintenance-free, factory-sealed design.
- Fail-safe operation (releases if power is removed).
- Mount vertically or horizontally.
- Four knockouts on junction box.
- Adapter and mounting hardware included.
-

Specifications:

E-942FC-1K3SQ, E-946FC-1K2SQ		E-942FC-600SQ	
Operating voltage	12/24 VDC	Operating voltage	12/24 VDC
Holding force	1,200-lb (544kg)	Holding force	600-lb (272kg)
Current draw	12V 500mA 24V 250mA	Current draw	12V 500mA 24V 250mA
Weight (approx.)	Total 16.1-lb (7.3kg) Maglock & armature 11-lb (5kg) Bracket 5-lb (2.3kg)	Weight (approx.)	Total 10.4-lb (4.7kg) Maglock & armature 6.4-lb (2.9kg) Bracket 3.95-lb (1.8kg)
Certifications	cUL, UL, CE, RoHS (magnetic lock only)	Certifications	cUL, UL, CE, RoHS (magnetic lock only)



E-942FC-600SQ



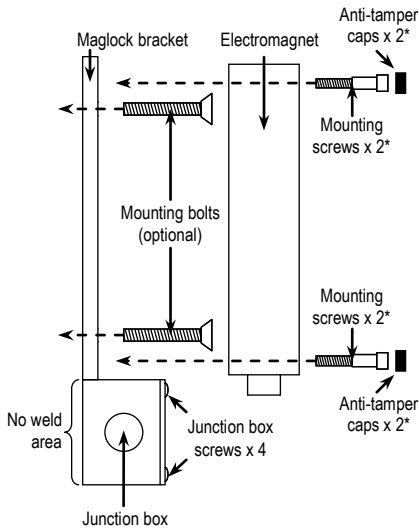
E-942FC-1K3SQ



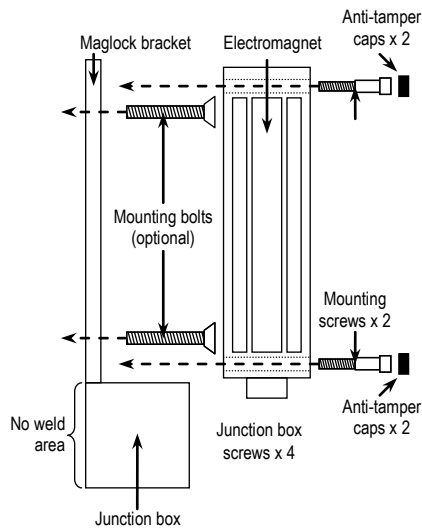
E-946FC-1K2SQ

Mounting Diagram:

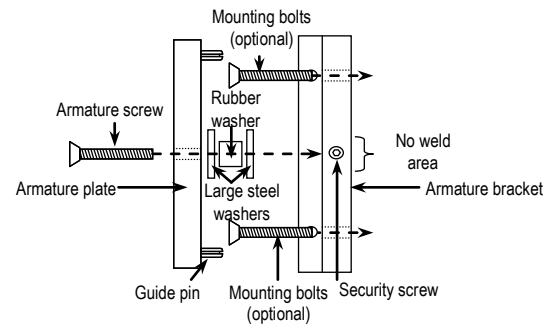
E-942FC-1K3SQ, E-942FC-600SQ
(Face Mount)



E-946FC-1K2SQ (Surface Mount)



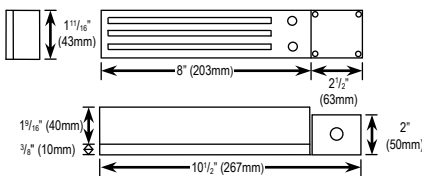
Armature Mounting (All models)



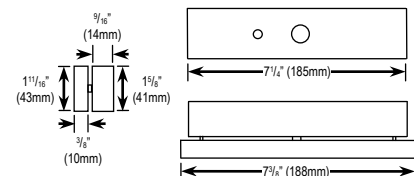
Dimensions:

E-942FC-600SQ

Magnetic Lock and Bracket

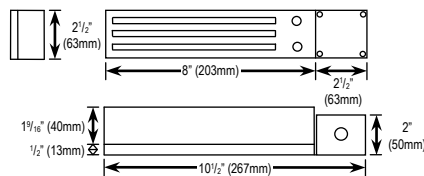


Armature Plate and Bracket

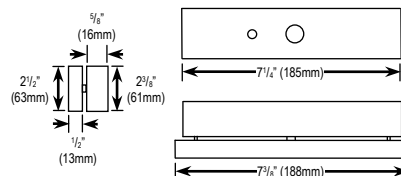


E-942FC-1K3SQ

Magnetic Lock and Bracket

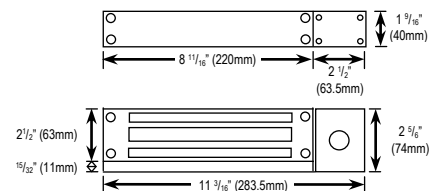


Armature Plate and Bracket

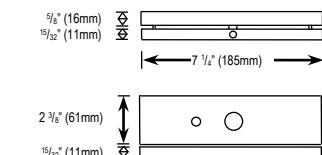


E-946FC-1K2SQ

Magnetic Lock and Bracket

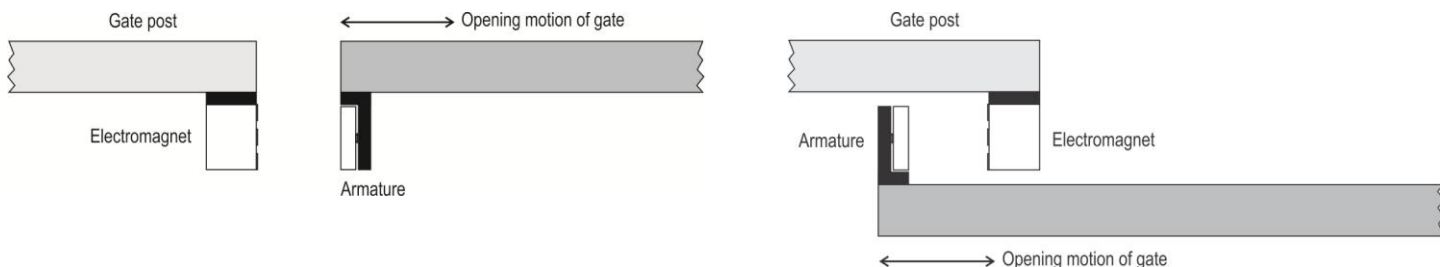


Armature Plate and Bracket

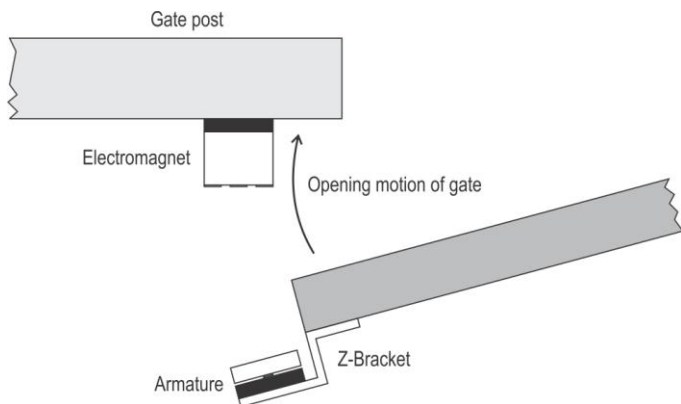


Sample Applications:

For sliding gates (E-946FC-1K2SQ):



For swinging gates (E-942FC-600SQ and E-942FC-1K3SQ):



Also Available from SECO-LARM®:



E-942FC-600

600-lb Gate Lock

Face mount for swinging gates



E-942FC-1300

1,200-lb Gate Lock

Face mount for swinging gates



E-946FC-600Q

600-lb Gate Lock

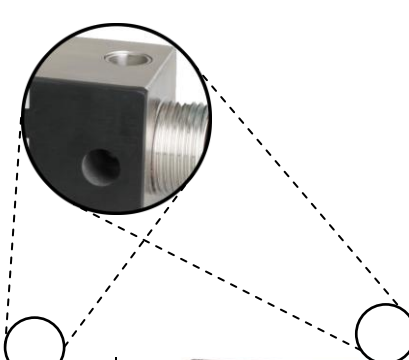
Face or surface mount for swinging or sliding gates



E-946FC-1K2Q

1,200-lb Gate Lock

Face or surface mount for swinging or sliding gates



SECO-LARM® U.S.A., Inc.

16842 Millikan Avenue, Irvine, CA 92606

Phone: (949) 261-2999 | (800) 662-0800 Fax: (949) 261-7326

Website: www.seco-larm.com Email: sales@seco-larm.com



Copyright 2015 © SECO-LARM U.S.A., Inc. All rights reserved.
 All trademarks are the property of SECO-LARM U.S.A., Inc. or their respective owners.
 The SECO-LARM policy is one of continual development. For that reason, SECO-LARM reserves the right to change prices and specifications without notice. SECO-LARM is not responsible for misprints.
SECO-LARM® ENFORCER® CRIMEBUSTER® CBA SLI

