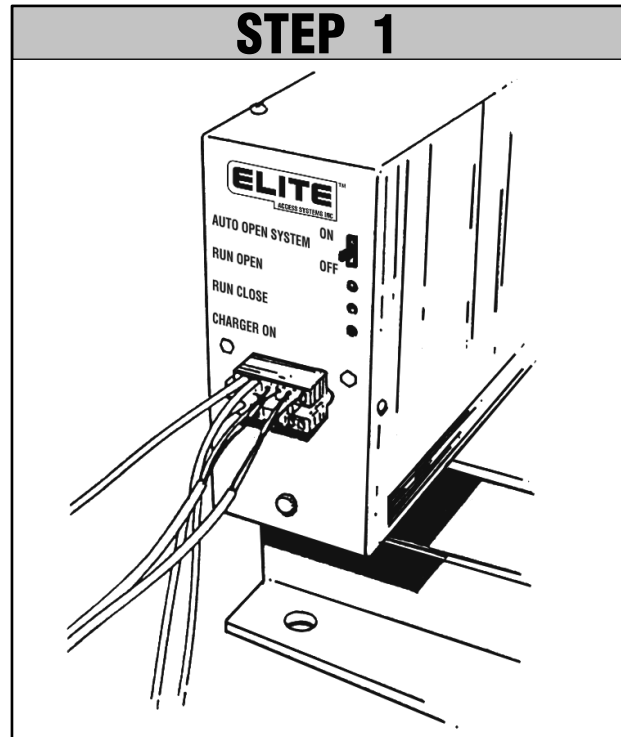
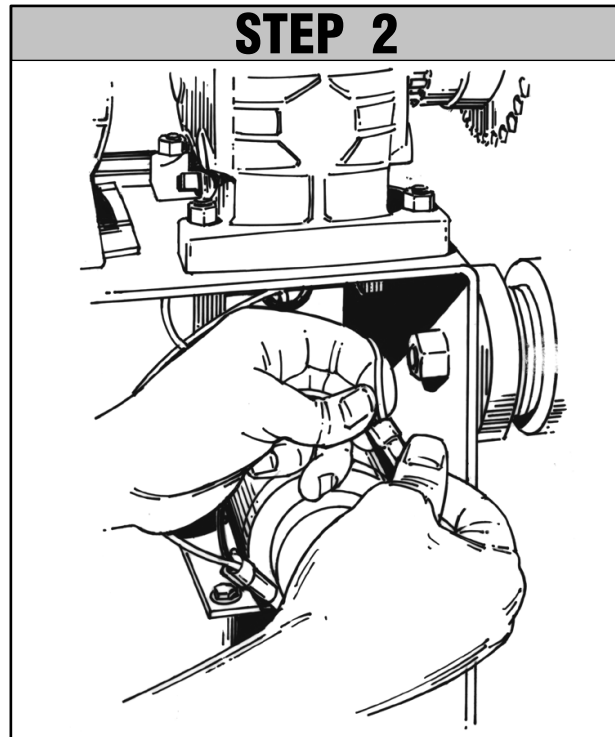


Installation for the DC1000U™ on the SL3000UL™ and SL3000ULD™

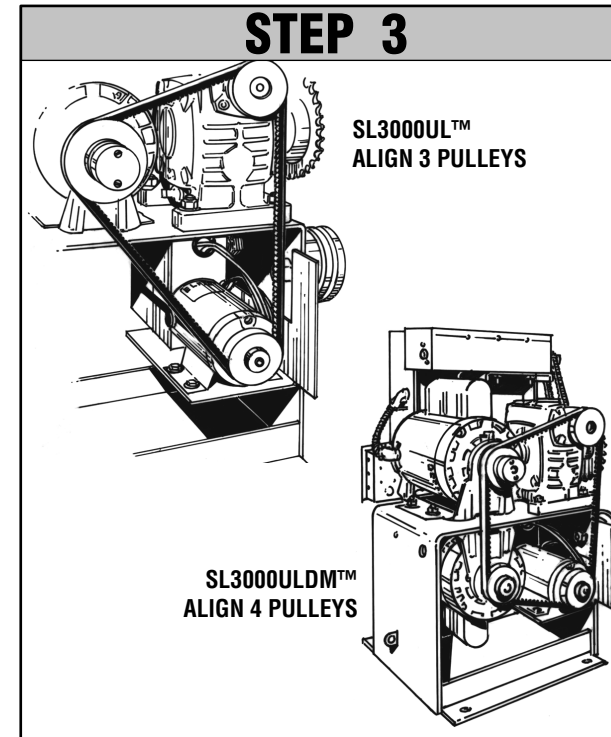
LiftMaster®



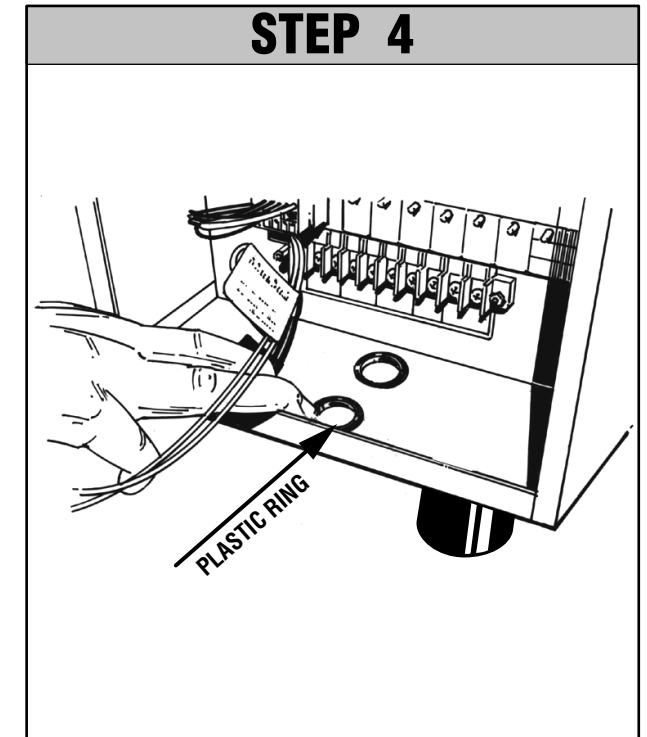
Bolt the DC1000U™ into operator chassis, (Use 7/8" holes below idler sprockets). Plug wire harness into front of DC1000U™.



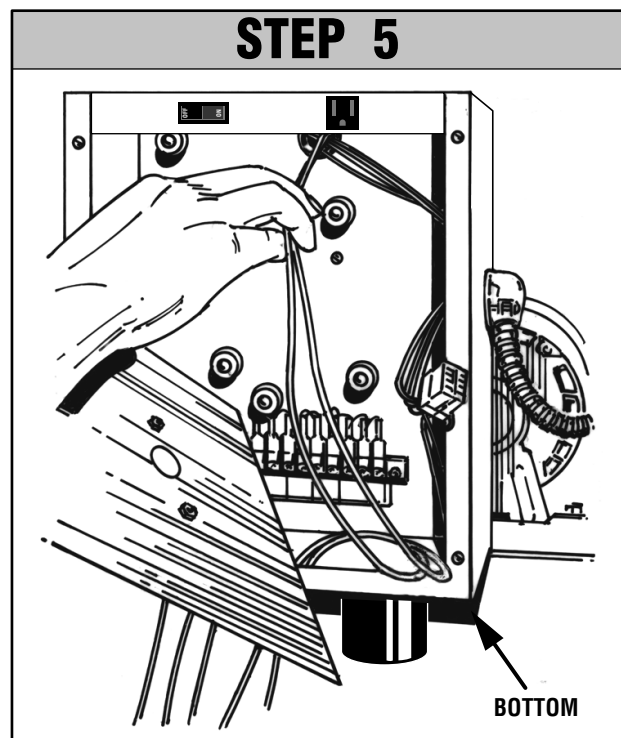
Connect motor wires to power wires located at back of DC1000U™. **Crossing wires will change direction the DC1000U™ will open.**



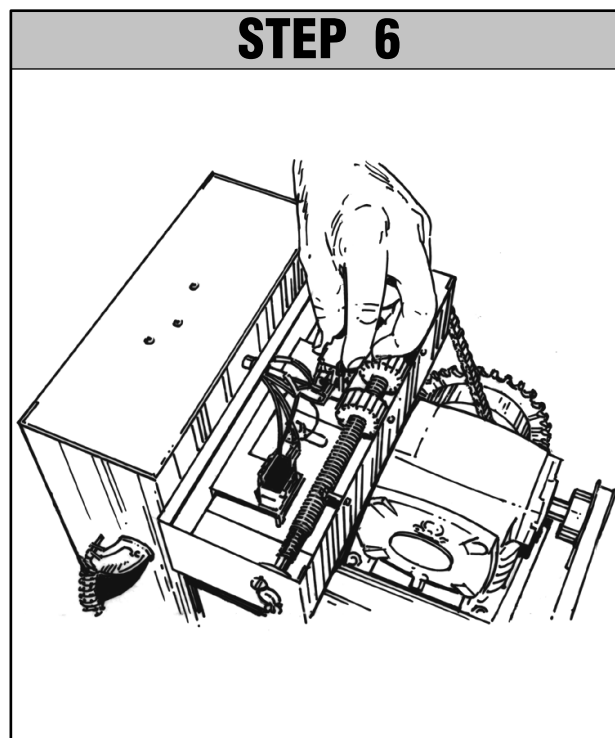
Remove old belt. Make sure all pulleys are in line. With new belt tight and **PULLEYS ALIGNED**, tighten motor. (**DO NOT OVER TIGHTEN BELT**)



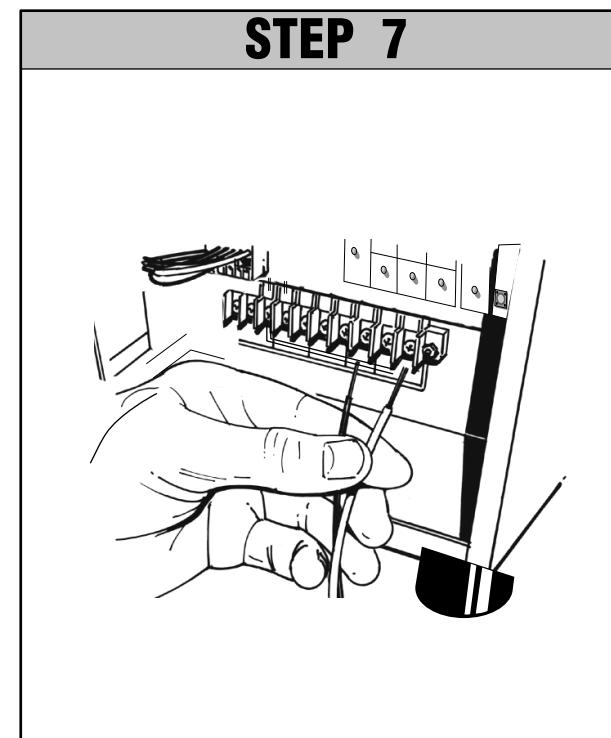
Remove plastic plug from hole in bottom of control box. Install new plastic ring in hole.



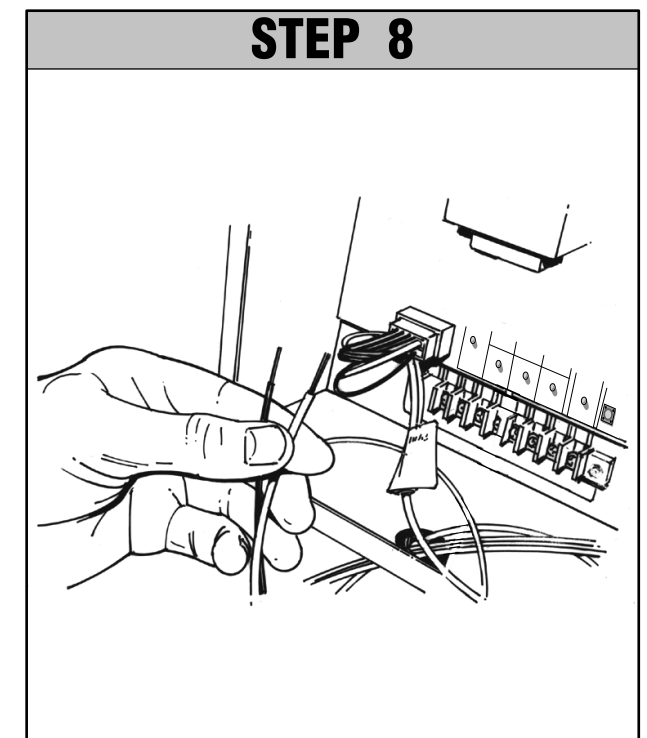
Remove main control board from control box. Install limit wires from DC1000U™ into bottom and out of the top back of the control box.



Install DC1000U™ limit wires into limit box. Install new limit switches on top of existing limit switches. See back for wiring new limit switches.



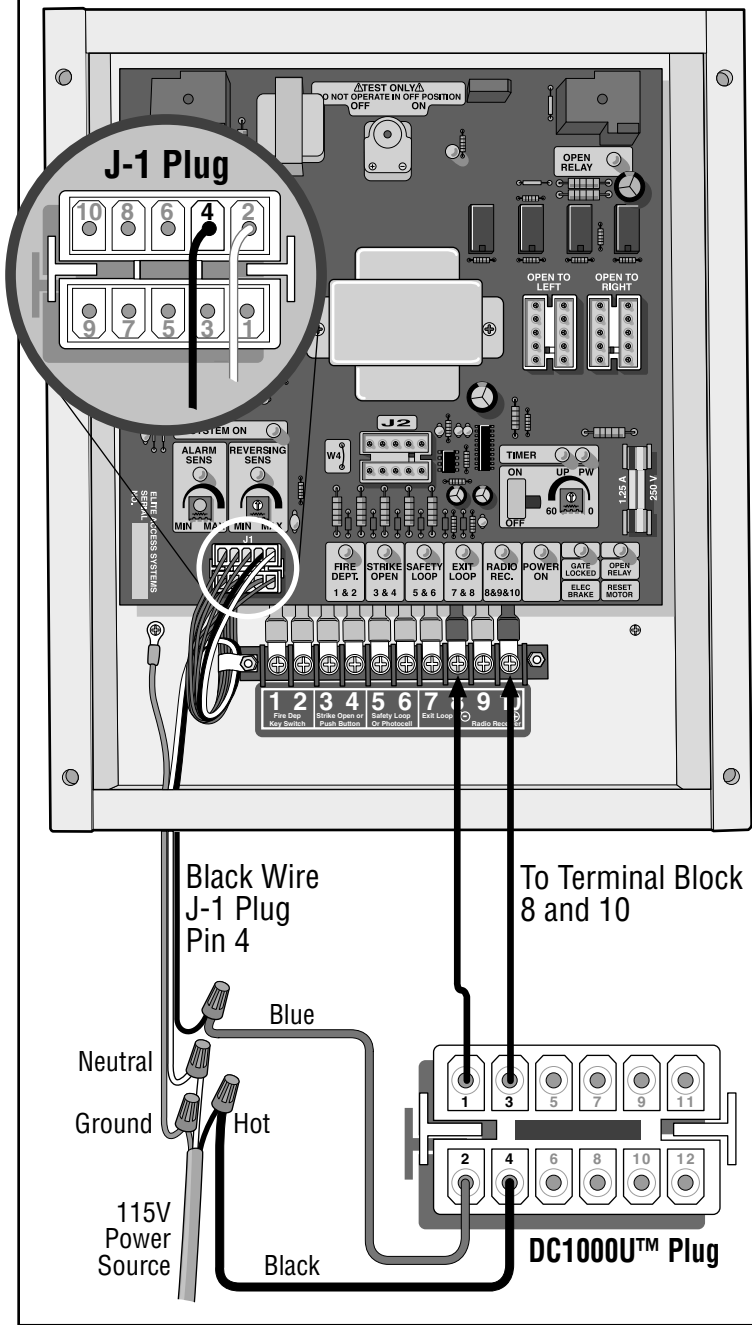
Connect wires from DC1000U™ into terminal block on operator. See wiring diagrams on back for correct configuration. (Polarity does NOT matter)



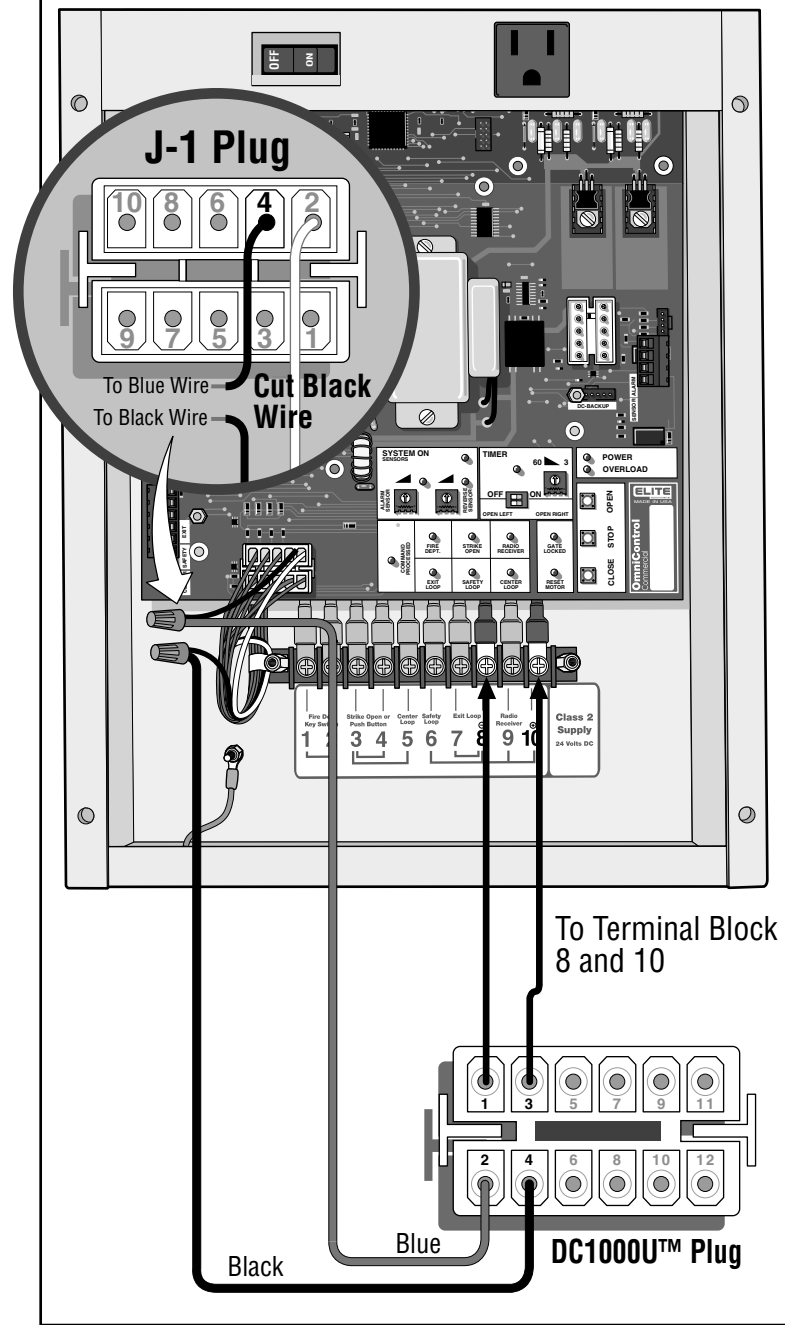
CAUTION: DO NOT connect 120 Vac to DC1000U™. Connect HOT wire from power source to BLACK wire from DC1000U™ plug. Then connect the BLUE wire from the DC1000U™ plug to the BLACK wire from the gate operator. (See back)

WARNING: This product can expose you to chemicals including lead, which are known to the State of California to cause cancer or birth defects or other reproductive harm. For more information go to www.P65Warnings.ca.gov

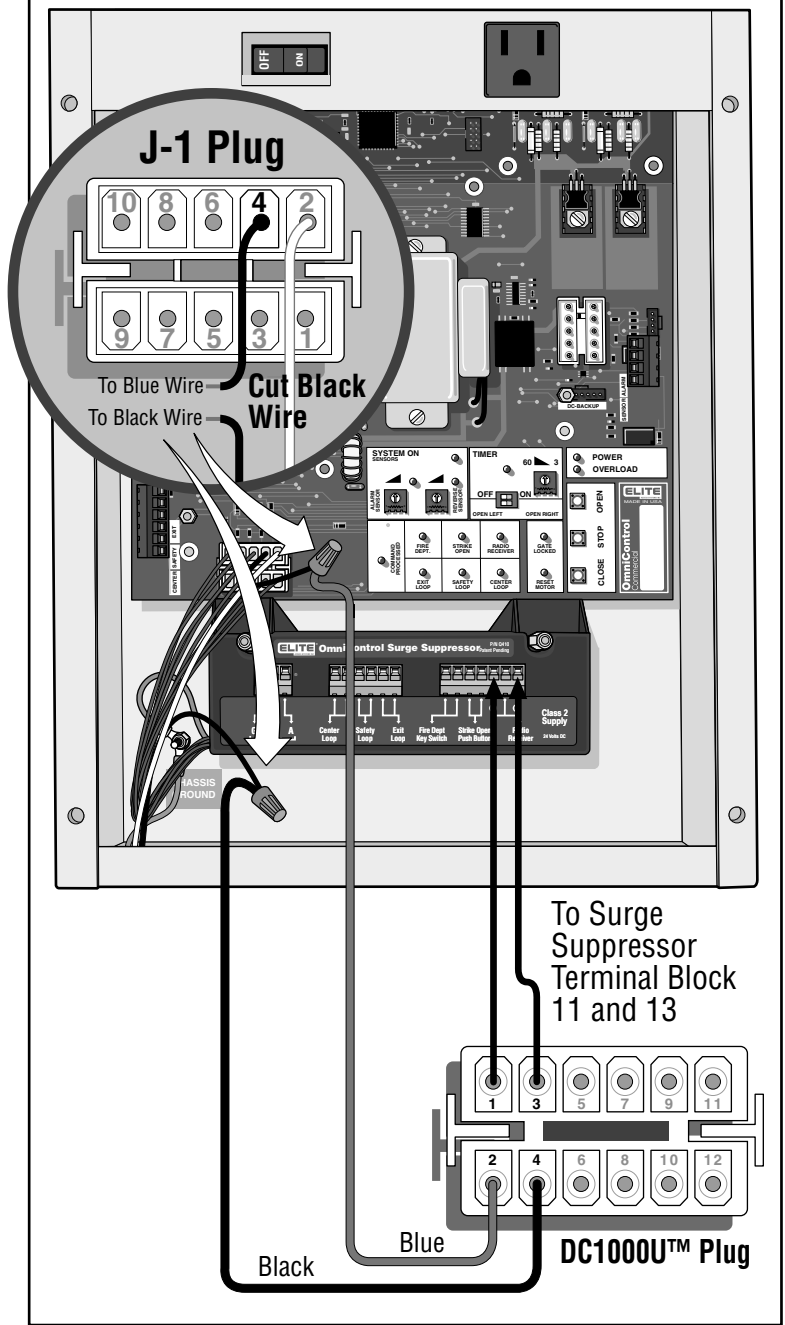
Wiring the DC1000U™ to a: Main Style Commercial Board



Wiring the DC1000U™ to a: OmniControl™ Board



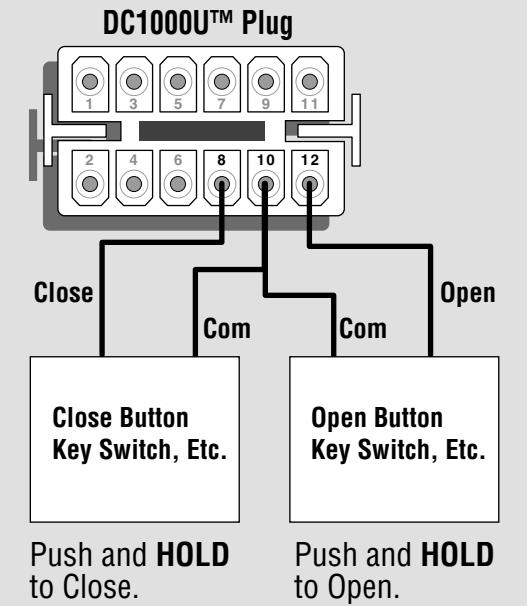
Wiring the DC1000U™ to a: OmniControl™ Board with Surge Suppressor



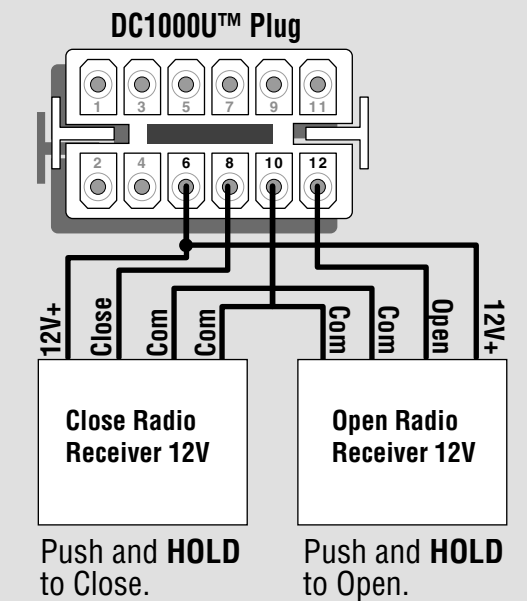
Wiring *Optional* Equipment to the DC1000U™

All devices wired to the DC1000U™ are dedicated to it alone. Normal operation will be controlled by separate devices wired to the operator control board.

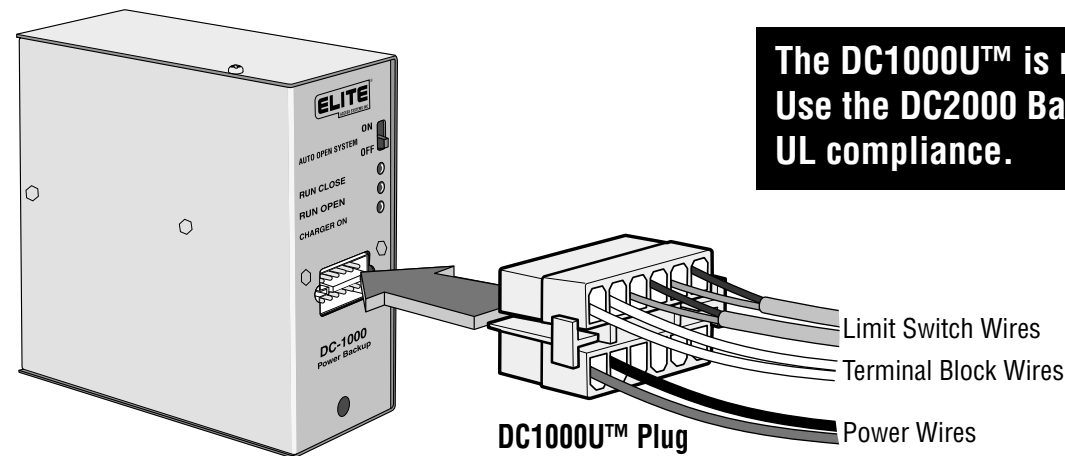
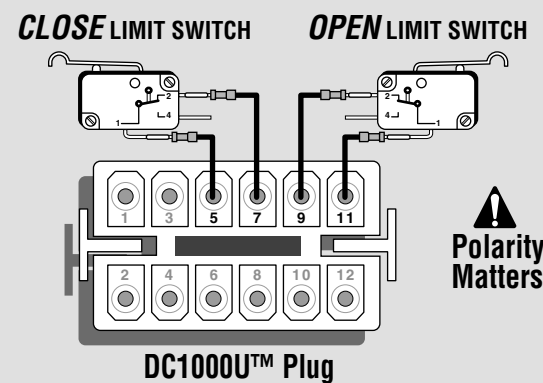
Close Buttons, Key Switches, Etc.



Radio Receivers 12V



Wiring the DC1000U™ New Limit Switches



**The DC1000U™ is not UL approved.
Use the DC2000 BackUp to Retain
UL compliance.**

For Technical Support: 1-800-528-2806

© 2004 LiftMaster Inc.
All Rights Reserved