

ENFORCER®

EV-Y2501-AMWAQ

4-in-1 HD TVI, CVI, AHD, Analog

Vandal Dome Camera

Manual



Features:

- ICR Module
- D-WDR (Digital Wide Dynamic Range)
- Joystick OSD control
- Heavy-duty vandal-resistant design
- Rugged, weatherproof (IP66) construction
- Split-glass design eliminates IR reflection
- Cables concealed in bracket to prevent tampering

ENFORCER 4-in-1 HD TVI, CVI, AHD, Analog Vandal Dome Camera

Specifications:

| | | |
|-------------------------|--|---------|
| Housing Color | White | |
| Type | Vandal Dome | |
| Formats | TVI (Default) / CVI / AHD / Analog | |
| CMOS | 1/2.7" 5MP CMOS | |
| Resolution (HD) | 2592x1944 | |
| 3DNR | No | |
| 2DNR | Yes | |
| D-WDR | Yes | |
| OSD (On-screen display) | Yes | |
| Cable OSD Control | Yes | |
| Megapixel | 5MP | |
| Lens | 2.8~12mm ICR | |
| Viewing angle | 38°~138° | |
| # of IR LEDs | 24 (SMT) | |
| IR Range | Up to 98ft (30m) | |
| FPS | 20FPS | |
| F Stop | F2.0 | |
| Minimum illumination | IR On | 0Lux |
| | IR Off | 0.05Lux |
| S/N Ratio | 35dB | |
| Shutter control | Auto | |
| Gain control | Auto | |
| Operating voltage | 12VDC | |
| Current draw | IR On | 320mA |
| | IR Off | 80mA |
| IP rating | IP66 | |
| Operating temperature | -22°~131° F (-30°~55° C) | |
| Dimensions | ø5 ¹³ / ₁₆ "x4 ⁵ / ₈ " (ø147x117 mm) | |
| Weight | 2-lb 35-oz (1067g) | |

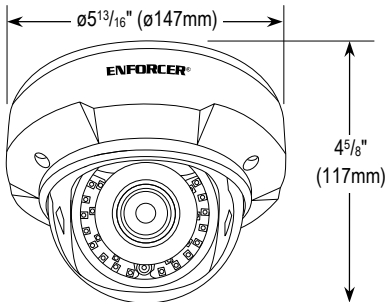
Parts List:

1x Vandal-dome Camera
1x Manual

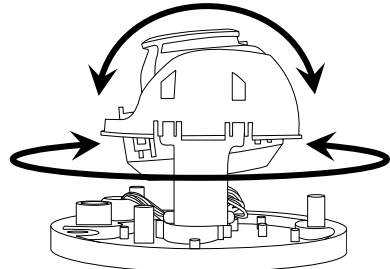
4x Mounting screws
4x Screw anchors

1x Hex Wrench
1x OSD Manual

Dimensions:

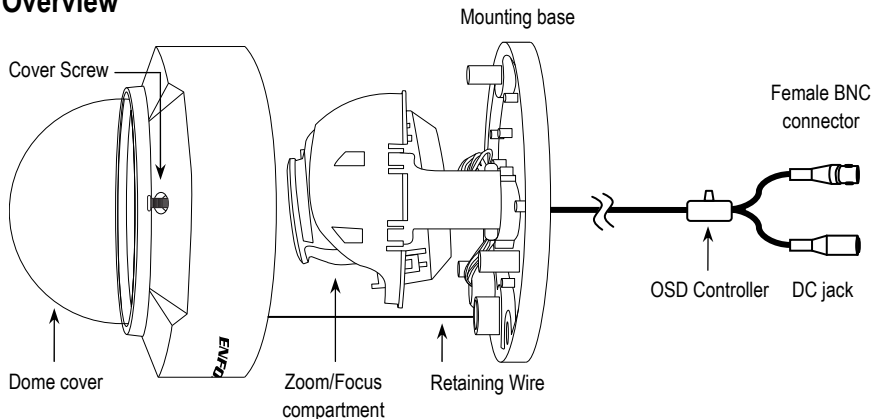


Adjusting the 2-Axis Gimbal:



Move the camera vertically up and down or rotate the camera to change the lens angle.

Overview



Important: Do not cut any wires as the warranty will be voided.

Zoom and Focus Adjustment:

To adjust the zoom and focus, open the Zoom/Focus compartment located in the camera body. Use a flathead screwdriver to loosen the zoom and focus screws to allow for adjustment.

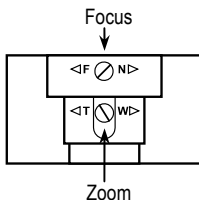
Focus

To focus in on close objects, push the focus screw right towards "N".

To focus out on far objects, push the screw right towards "F".

Zoom

To zoom in, push the zoom screw left towards "T". To zoom out, push the screw right towards "W".

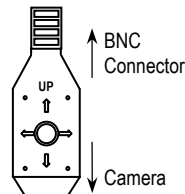


OSD Controller Settings:

To set format via the OSD controller, move the controller in the direction of the desired setting, hold for 5 seconds, and release when the camera restarts.

See chart below.

| Direction | Format Setting |
|-----------|----------------|
| Up | AHD |
| Down | CVBS/Analog |
| Left | TVI |
| Right | CVI |



NOTE: Do not press joystick in when setting different modes.

Before Starting:

1. Use the camera within the given temperature and voltage limits.
2. Do not point the camera at the sun. Heat could damage the camera, even when not in use.
3. Do not subject the camera to strong vibrations.
4. Do not mount the camera in areas exposed to radiation, strong magnetic fields, or strong electrical signals.

Installation:

1. Undo the 4 screws on the side of the dome cover using the included hex wrench.
2. Remove the dome cover from the base.
3. Temporarily connect the camera's female BNC connector to a monitor.
4. Temporarily connect the camera's DC jack to a 12VDC power supply.
5. While watching the monitor, hold the camera against the wall or ceiling by hand where it is to be mounted, then adjust the camera until it is certain that the mounting location is correct. Mark that location with a pencil.
6. Adjust the zoom and focus to desired settings. See "Zoom and Focus Adjustment".
7. Use the OSD controller's joystick to adjust the camera settings. See "OSD Controller Settings". (For more information, see separate OSD manual).
8. Mount the camera mounting base to the wall using the included mounting screws, making sure the bottom of the base sits flush against the wall.
9. Run a hidden, permanent video cable from the monitor to the camera.
10. Run a hidden, permanent power cable from a 12VDC power supply to the camera.

(Continued next page)

ENFORCER 4-in-1 HD TVI, CVI, AHD, Analog Vandal Dome Camera

Installation:

11. If the installation involves surface wiring, use the wiring notch located on the side of the mounting base.
12. Reattach and secure the dome to the mounting base.
13. Test the camera again under the exact lighting conditions in which it is expected to be used.
14. Make any necessary adjustments to the camera angle by gently twisting the camera on its axes.
15. Do a final test of the video camera and monitor.

Troubleshooting:

| | |
|---|--|
| The screen is black | <ul style="list-style-type: none">• Check that the camera is powered up• Check that the power supply's polarity is correct• Check that the monitor is powered up• Check that the video cable connecting the camera to the monitor is connected properly |
| The image is foggy or washed out at night | <ul style="list-style-type: none">• Check that there are no objects very close to the camera• Check that there are no highly reflective objects in the scene |
| The screen image is dim | <ul style="list-style-type: none">• Clean the lens using a soft, clean cloth• Check that the light source is adequate |
| The screen image has poor contrast | <ul style="list-style-type: none">• Adjust the monitor's contrast knob• Change the position of the camera |
| The screen image flickers | <ul style="list-style-type: none">• Change the position of the camera, check cables and format setting |
| The screen image is distorted | <ul style="list-style-type: none">• Change the position of the camera, check cables and format setting |
| The camera case is hot | <ul style="list-style-type: none">• Check that the correct power supply is in use |
| IR LEDs do not turn on | <ul style="list-style-type: none">• Check that the correct power supply is in use |

IMPORTANT: Users and installers of this product are responsible for ensuring this product complies with all national, state, and local laws and statutes related to monitoring and recording audio and video signals. SECO-LARM will not be held responsible for the use of this product in violation of any current laws or statutes.

FCC COMPLIANCE STATEMENT

THIS DEVICE COMPLIES WITH PART 15 OF THE FCC RULES. OPERATION IS SUBJECT TO THE FOLLOWING TWO CONDITIONS: (1) THIS DEVICE MAY NOT CAUSE HARMFUL INTERFERENCE AND (2) THIS DEVICE MUST ACCEPT ANY INTERFERENCE RECEIVED, INCLUDING INTERFERENCE THAT MAY CAUSE UNDESIRE OPERATION.

Notice: The changes or modifications not expressly approved by the party responsible for compliance could void the user's authority to operate the equipment.

IMPORTANT NOTE: To comply with the FCC RF exposure compliance requirements, no change to the antenna or the device is permitted. Any change to the antenna or the device could result in the device exceeding the RF exposure requirements and void user's authority to operate the device.

WARRANTY: This SECO-LARM product is warranted against defects in material and workmanship while used in normal service for three (3) years from the date of sale to the original customer. SECO-LARM's obligation is limited to the repair or replacement of any defective part if the unit is returned, transportation prepaid, to SECO-LARM. This Warranty is void if damage is caused by or attributed to acts of God, physical or electrical misuse or abuse, neglect, repair or alteration, improper or abnormal usage, or faulty installation, or if for any other reason SECO-LARM determines that such equipment is not operating properly as a result of causes other than defects in material and workmanship. The sole obligation of SECO-LARM and the purchaser's exclusive remedy, shall be limited to the replacement or repair only, at SECO-LARM's option. In no event shall SECO-LARM be liable for any special, collateral, incidental, or consequential personal or property damage of any kind to the purchaser or anyone else.

NOTICE: The SECO-LARM policy is one of continual development and improvement. For that reason, SECO-LARM reserves the right to change specifications without notice. SECO-LARM is also not responsible for misprints. All trademarks are the property of SECO-LARM U.S.A., Inc. or their respective owners. Copyright © 2020 SECO-LARM U.S.A., Inc. All rights reserved.

SECO-LARM® U.S.A., Inc.

16842 Millikan Avenue, Irvine, CA 92606
Phone: (949) 261-2999 | (800) 662-0800

Website: www.seco-larm.com
Email: sales@seco-larm.com



ML_EV-Y2501-AMWAQ_191206.docx