



SLIDE GATE

V-WHEEL ASSEMBLIES



SLIDE GATE V-WHEELS

- Full line of wheels and wheel assemblies to meet your specific application and budgetary requirements
- UHMW, steel wheels and wheel assemblies available
- Steel roller bearings or sleeve bearing available
- Tandem wheel assemblies provide superior performance for heavy gates by distributing the gate weight across 4 wheels

RESIDENTIAL • GATED COMMUNITIES • APARTMENT
COMPLEXES • PARKING • CONDOMINIUM/RESIDENT HALL •
MIXED USE • COMMERCIAL • SELF STORAGE



UHMW V-Wheels
for smooth quiet operation



Pivot Point
for uneven tracks



Tandem & Quad 6 inch
for heavy gates

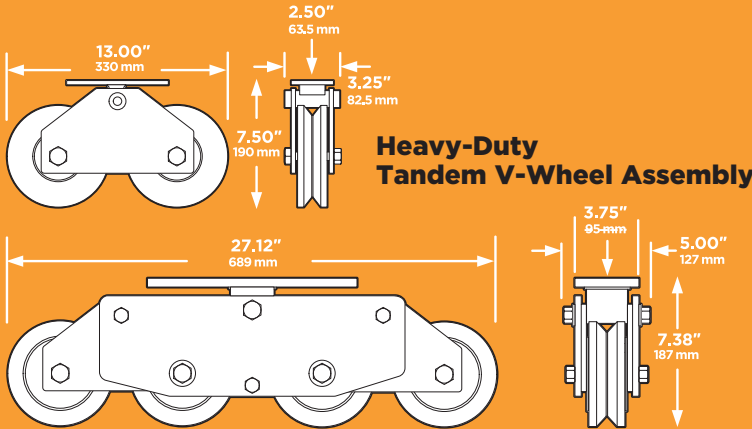
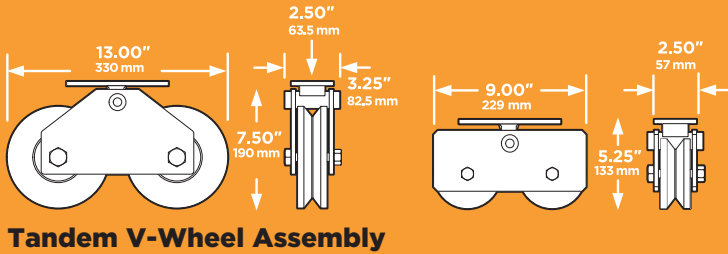
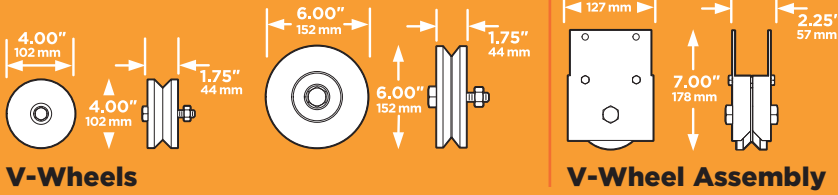


Sealed Bearings
maximum load bearing with
excellent durability

ACCESS CONTROL SOLUTIONS



SLIDE GATE V-WHEELS



Heavy-Duty Quad V-Wheel Assembly

| | Weight Capacity | Size | UHMW | Steel | Sealed Bearing | Sleeve Bearing |
|------------------------------------|------------------------|--------|------|-------|----------------|----------------|
| STANDARD SLIDE GATE | | | | | | |
| V-Wheel Assemblies | | | | | | |
| 1201-102 | 500 lb | 4-inch | ✓ | - | - | ✓ |
| 1201-105 | 750 lb | 4-inch | ✓ | - | ✓ | - |
| 1201-117 | 1500 lb | 4-inch | - | ✓ | ✓ | - |
| 4-inch Tandem V-Wheel Assemblies | | | | | | |
| 1201-012 | 1500 lb | 4-inch | ✓ | - | ✓ | - |
| 1201-010 | 3000 lb | 4-inch | - | ✓ | ✓ | - |
| 6-inch Tandem V-Wheel Assemblies | | | | | | |
| 1201-210 | 5000 lb | 6-inch | - | ✓ | ✓ | - |
| Replacement V-Wheels | | | | | | |
| 1201-004 | 500 lb | 4-inch | ✓ | - | - | ✓ |
| 1201-006 | 750 lb | 4-inch | ✓ | - | ✓ | - |
| 1201-016 | 1500 lb | 4-inch | - | ✓ | ✓ | - |
| 1201-000 | 2500 lb | 6-inch | - | ✓ | ✓ | - |
| HEAVY-DUTY SLIDE GATE | | | | | | |
| 6-Inch Tandem V-Wheel (Heavy-Duty) | | | | | | |
| 1201-215 | 7,000 lb ¹ | 6-inch | - | ✓ | ✓ | - |
| 6-Inch Quad V-Wheel (Heavy-Duty) | | | | | | |
| 1201-250 | 14,000 lb ² | 6-inch | - | ✓ | ✓ | - |
| Replacement V-Wheel (Heavy-Duty) | | | | | | |
| 1202-000 | 3500 lb | 6-inch | - | ✓ | ✓ | - |

TECHNICAL FEATURES

V-WHEELS

Available in sleeve and sealed roller bearings

4" Machined Steel and UHMW V-Wheels

6" Machined Steel V-Wheels

Maximum gate weights of 500, 750, 1500, and 2500 lbs

4" UHMW V-Wheel 1201-004
Sleeve bearing - Maximum gate weight 500 lb

4" UHMW V-Wheel 1201-006
Sealed roller bearing - Maximum gate weight 750 lb

4" machined steel V-Wheel 1201-016
Sealed roller bearing - Maximum gate weight 1500 lb

6" machined steel V-Wheel 1201-000
Sealed roller bearing - Maximum gate weight 2500 lb

V-WHEEL ASSEMBLIES

Available in sleeve and sealed roller bearings

4" Machined Steel and UHMW V-Wheels

Maximum gate weights of 500, 750, and 1500 lbs

Mounting bracket for 2 x 2 bottom rail

4" UHMW V-Wheel 1201-102
Sleeve bearing - Maximum gate weight 500 lb

4" UHMW V-Wheel 1201-105
Sealed roller bearing - Maximum gate weight 750 lb

4" machined steel V-Wheel 1201-117
Sealed roller bearing - Maximum gate weight 1500 lb

TANDEM V-WHEEL ASSEMBLIES

4" Machined Steel and UHMW V-Wheels

6" Machined Steel V-Wheels

Maximum gate weights of 1500, 3000, and 5000 lbs

Pivoting mounting bracket

4" UHMW V-Wheel 1201-012
Sealed roller bearings - Maximum gate weight 1500 lb

4" machined steel V-Wheel 1201-010
Sealed roller bearing - Maximum gate weight 3000 lb

6" machined steel V-Wheel 1201-210
Sealed roller bearing - Maximum gate weight 5000 lb

HEAVY-DUTY TANDEM V-WHEEL ASSEMBLY

6" machined steel V-Wheel 1201-215
Sealed roller bearing - Maximum gate weight 14,000 lb¹

HEAVY-DUTY QUAD V-WHEEL ASSEMBLY

6" V-Wheel 1201-250
Sealed roller bearing - Maximum gate weight 28,000 lb²

1. Assembly is rated for 7,000 lb (3,175 Kg). Maximum gate weight is 14,000 lb (6,350 Kg) - two (2) assemblies required per gate. With this configuration, each wheel (4 total) is supporting 3,500 lb (1,587 Kg).
2. Assembly is rated for 14,000 lb (6,350 Kg). Maximum gate weight is 28,000 lb (12,700 Kg) - two (2) assemblies required per gate. With this configuration, each wheel (8 total) is supporting 3,500 lb (1,587 Kg).

DoorKing®, Inc.

Access Control Solutions since 1948



120 S. Glasgow Avenue,
Inglewood, California 90301 U.S.A.
Tel: 310-645-0023 FAX: 310-641-1586
www.doorking.com

© 2022 All Rights Reserved.
Product specifications may
change without notice. Rev. 3/22



MEMBER:



DISTRIBUTED BY:

