

## Motorized Cabinet Lock

### CL-210M-U3BQ

The SECO-LARM Motorized Cabinet Lock provides security for lockers, cabinets, cases, and drawers. The built-in lock and door status sensors and fail-secure operation offer additional security. The Motorized Cabinet Lock's small size and compatibility with existing keypads or readers allow for various installations.

### Features:

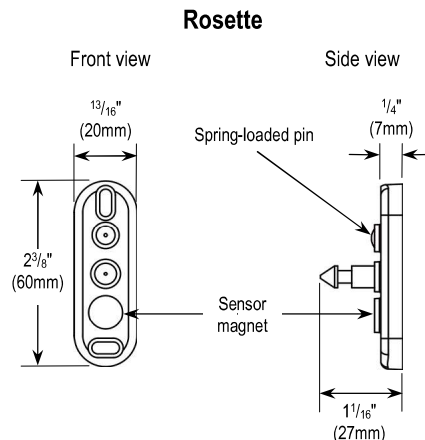
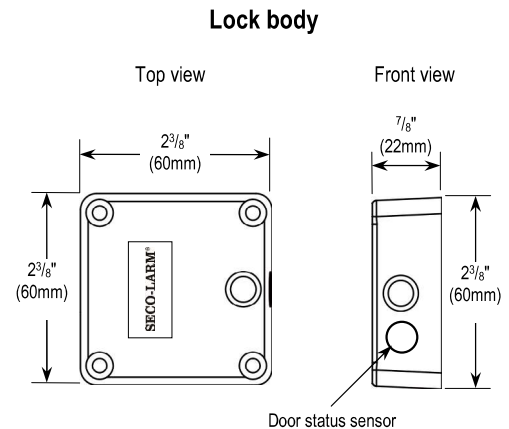
- Electronically secure lockers, cabinets, cases, and drawers
- Lock status sensor allows for monitoring whether the lock is engaged
- Door status sensor allows for monitoring whether the door is closed completely
- Compatible with existing keypads or readers
- Spring feature gently pushes door open
- Fail-secure operation
- Various mounting positions
- 12~28 VAC/VDC Operating voltage
- Low current draw:
  - 69mA@12/24 VDC (standby)
  - 165mA@12/24 VDC (active)
- 220-lb (100kg) Holding force
- Two locking orientations

### Specifications:

Operation	Fail-Secure	
Operating voltage	12~28 VAC/VDC	
Current draw	Standby	69mA@12/24 VDC
	Active	165mA@12/24 VDC
Lock status output	1A@125VAC	
Door status output	1A@125VAC	
Holding force	220-lb (100kg)	
Relock time delay	2~5 seconds	
Case	Polyamide	
Operating humidity	0~95% non-condensing	
Operating temperature	14°~113° F (-10°~45° C)	
Dimensions	Lock body	2 <sup>3</sup> / <sub>8</sub> "x2 <sup>3</sup> / <sub>8</sub> "x7 <sup>1</sup> / <sub>8</sub> " (60x60x22 mm)
	Rosette	1 <sup>3</sup> / <sub>16</sub> "x2 <sup>3</sup> / <sub>8</sub> "x1 <sup>1</sup> / <sub>16</sub> " (20x60x27 mm)
Weight	3-oz (93g)	



### Dimensions:



### SECO-LARM® U.S.A., Inc.

16842 Millikan Avenue, Irvine, CA, 92606

Phone: (949) 261-2999 | (800) 662-0800 Fax: (949) 261-7326

Website: www.seco-larm.com Email: sales@seco-larm.com



Copyright © 2018 SECO-LARM U.S.A. Inc. All rights reserved. All trademarks are the property of SECO-LARM U.S.A., Inc. or their respective owners. The SECO-LARM policy is one of continual development. For that reason, SECO-LARM reserves the right to change prices and specifications without notice. SECO-LARM is not responsible for misprints.

SECO-LARM® ENFORCER® CRIMEBUSTER® CBA® SLI®

PI\_CL-210M-U3BQ\_180115.docx