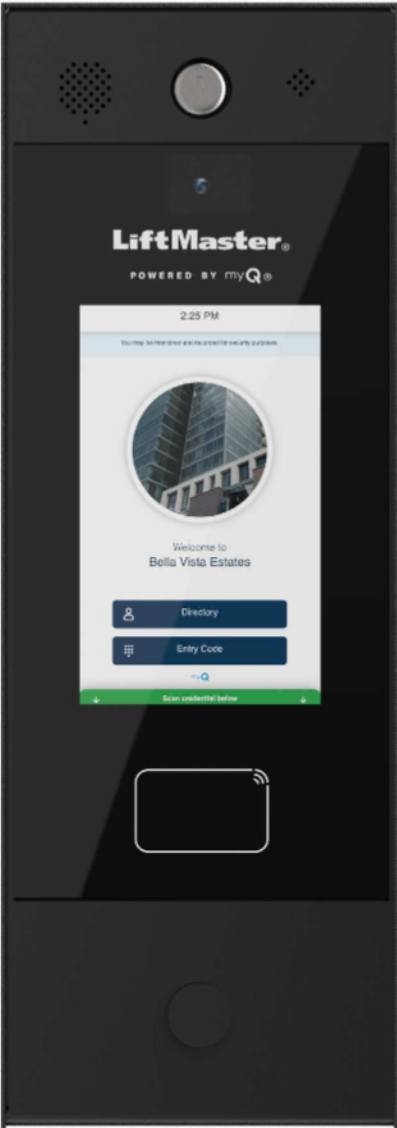


myQ[®] Business[™]
Smart Video Intercom M

INSTALLATION MANUAL

Model CAPXM



Safety

Safety Symbol and Signal Word Review

When you see these Safety Symbols and Signal Words on the following pages, they will alert you to the possibility of serious injury or death if you do not comply with the warnings that accompany them. The hazard may come from something mechanical or from electric shock. Read the warnings carefully.

When you see this Signal Word on the following pages, it will alert you to the possibility of damage to your property or product if you do not comply with the cautionary statements that accompany it. Read them carefully.

 **WARNING**

MECHANICAL

 **WARNING**

ELECTRICAL

 **CAUTION**


  **WARNING**

- To reduce the risk of SEVERE INJURY or DEATH:
- Disconnect power at the fuse box BEFORE proceeding.
 - To AVOID damaging gas, power or other underground utility lines, contact underground utility locating companies BEFORE digging.
 - ALL electrical connections MUST be made by a qualified individual.
 - ALL power and control wiring MUST be run in separate conduit.
 - All power wiring should be on a dedicated circuit and well protected. The location of the power disconnect should be visible and clearly labeled.
 - The CAPXM shall be installed in accordance with the National Electrical Code and all local codes.

- To protect against fire and electrocution:
- Disconnect power BEFORE installing or servicing CAPXM.
 - NEVER connect a keypad/reader or lock to doors without first consulting the applicable fire code.
 - You MUST consult with, and get approval from, local fire officials BEFORE installing locks or devices on ANY doors that may be fire exits.
 - Use of egress push buttons may not be legal. Single action exits may be required.
 - ALWAYS obtain proper permits and approvals in writing BEFORE installing equipment.

 **WARNING**

DO NOT INSTALL THE SYSTEM IN THE FAIL SECURE MODE UNLESS PERMITTED BY THE LOCAL AUTHORITY HAVING JURISDICTION. Doing so may cause interference with the operation of panic hardware.

 **WARNING:** This product can expose you to chemicals including lead, which are known to the State of California to cause cancer or birth defects or other reproductive harm. For more information go to www.P65Warnings.ca.gov.

INTRODUCTION

CAPXM Overview	4
Control Board Overview	5
Door Board Overview	6
Carton Inventory	7
Tools Needed	7
Dimensions	8
System Specifications	8
Wire Specifications	9
Internet Requirements.....	10

1

PRE-INSTALL

Setup a myQ® Business™ Account	11
--------------------------------------	----



2

INSTALL

Remove Knockouts	12
Mount the CAPXM.....	13
Install the Ground.....	14
Connect Power.....	15

3

NETWORK

Connect Internet.....	16
Validate Setup	16

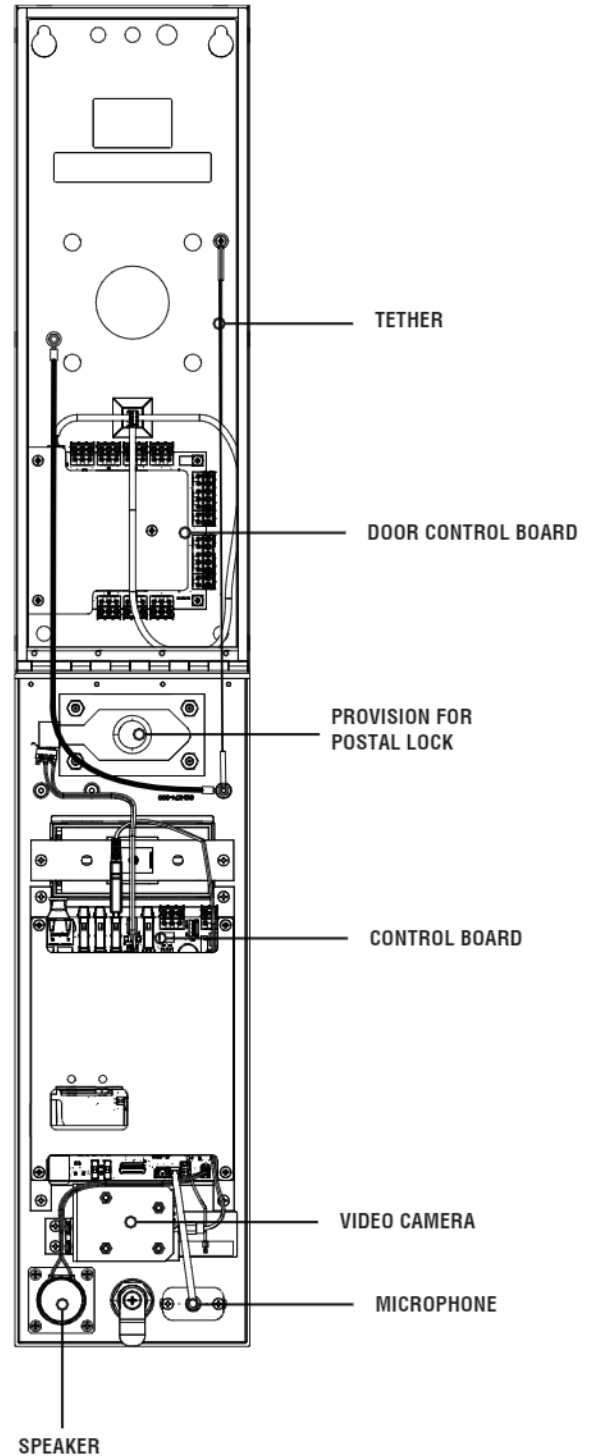
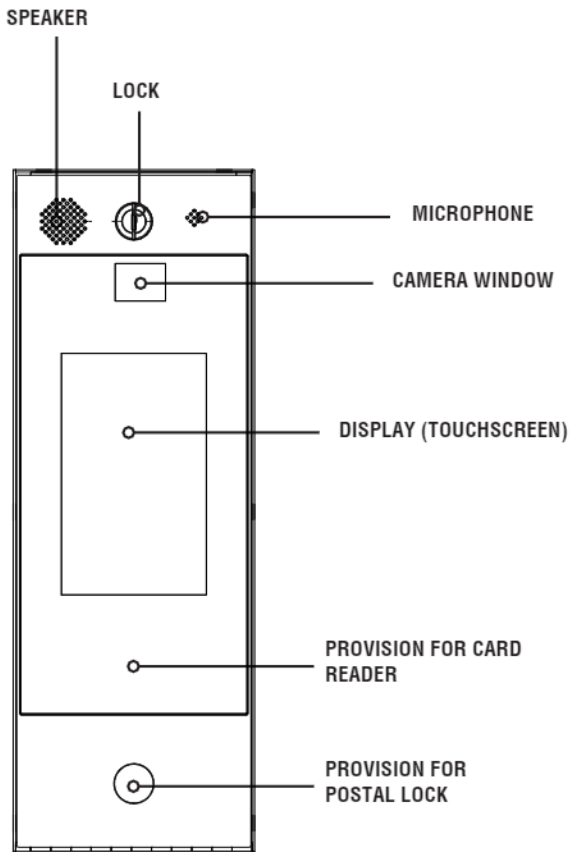
4

ACCESS CONTROL

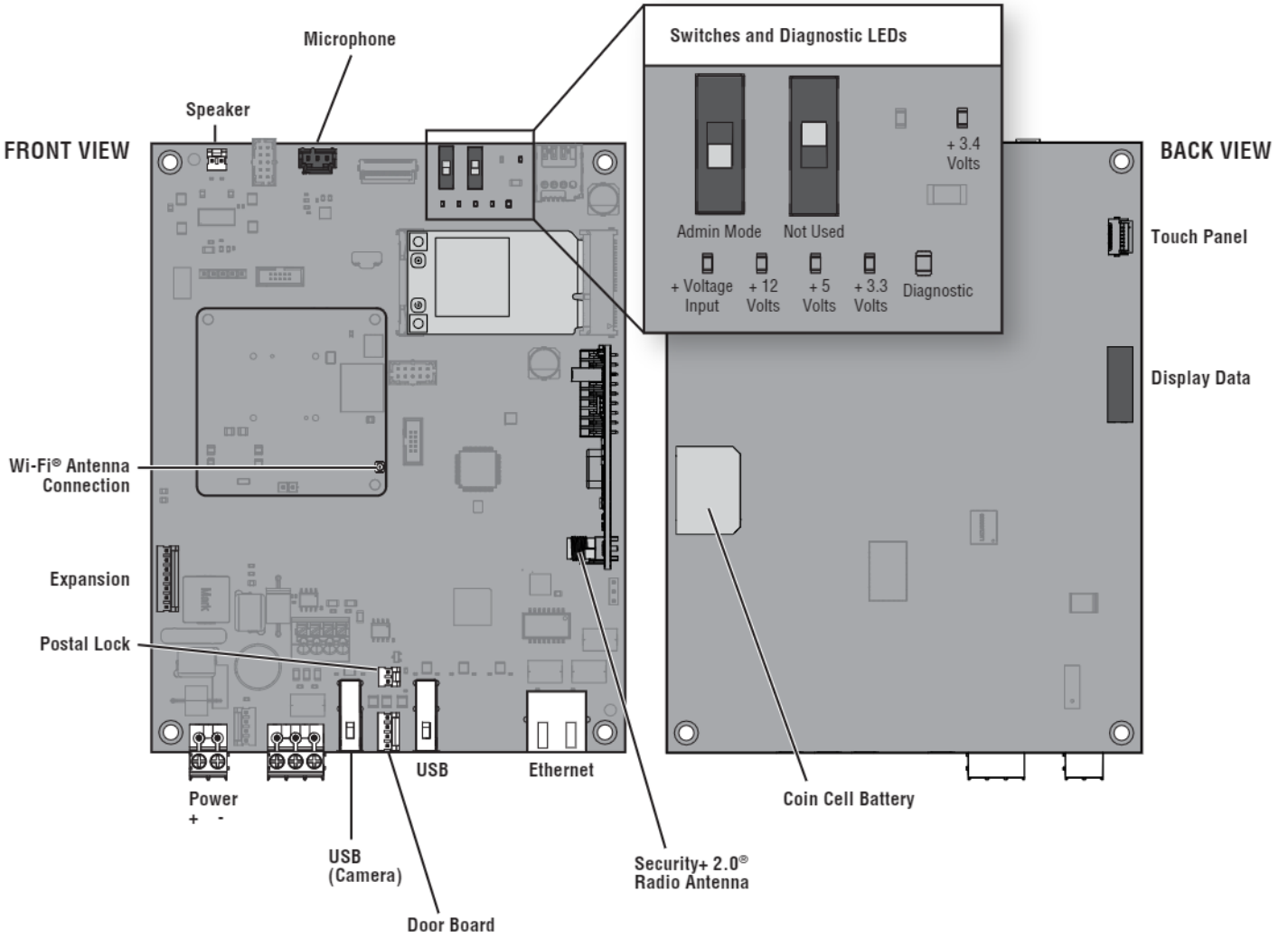
Gate Access (Wired).....	17
Gate Access (Wireless)	18
Door Access.....	19
RFID Reader.....	20
Wiegand Output	21
Postal Lock	21
Wiring Diagram.....	22
Repair Parts	23
Accessories.....	23
Configuration Sheet.....	24
Legal Disclaimers.....	25
Warranty	26

CAPXM Overview

Smart Video Intercom M (Model CAPXM) is a cloud based access control solution that includes an integrated video camera enabling advanced video features.

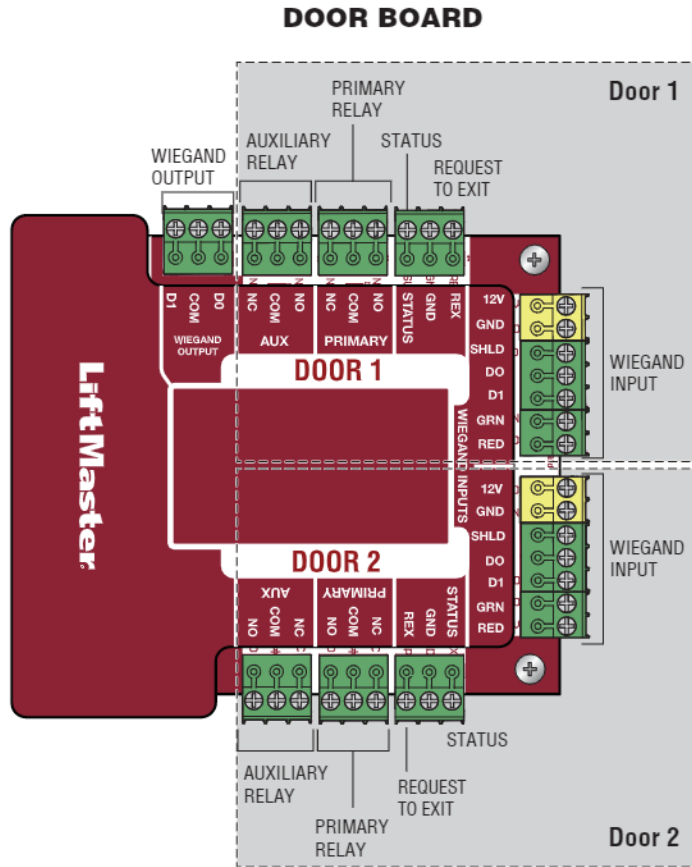


Control Board Overview



Door Board Overview

The CAPXM has a combination of access control inputs/outputs on the Door Board that work in conjunction to control up to 2 access points.

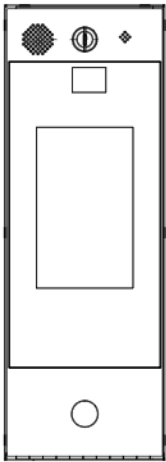


See page 17 for wiring diagram.

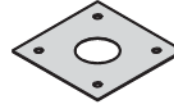
INPUT/OUTPUT	USED FOR
Relay Output 1	Gated Operator, Door Strikes, Maglocks, Lights (for control-only power to be provided by external power supply), Alarm Shunt
Relay Output 2	
Wiegand Output 1	Standard 26-bit, 30-bit Wiegand, HID 37-bit with Facility Code, Transcore 37-bit, 32-bit MiFare
Wiegand Output 2	
Supervised Input 1	Closed Door Sensor (Supervised EOL or unsupervised), Closed Limit Gate Sensor (Supervised EOL or unsupervised), Open Limit Gate Sensor (Supervised EOL or unsupervised)
Supervised Input 2	

NOTE: Only the 26-bit Wiegand protocol is compatible in UL installations.

Carton Inventory



Power Supply



Goose-neck Gasket

S10K30MOV
(Metal Oxide Varistor)(4)

PK625 Keys (2)



1N4005 Diode Kit (4)

PROVIDED (NOT SHOWN)

- Installation Manual

Tools Needed

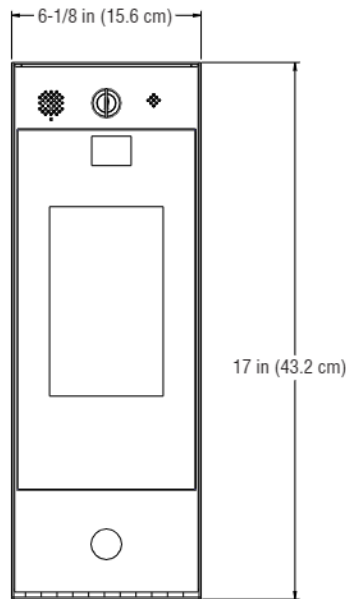
- PH2 Phillips Screwdriver
- Precision 1/8" Flat or PH0 Phillips Screwdriver
- 1/4" Nut Driver
- Drill/Driver
- 7/64" Drill Bit
- Hammer Drill Bits for Drill/Driver
- RJ45 Crimping Pliers
- Multimeter
- Measuring tape
- Conduit Bender
- Conduit Cutter/Reamer
- Hack Saw
- Center Punch Tool
- Hammer

Additional Tools Recommended

- Network LAN Cable Tester
- Wi-Fi Analyzer App (smartphone app)
- Network Analyzer software
- Computer with Ethernet port
- Ethernet patch cable

Dimensions

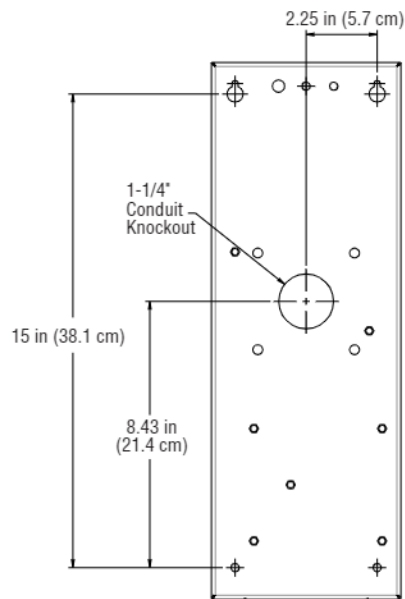
FRONT VIEW



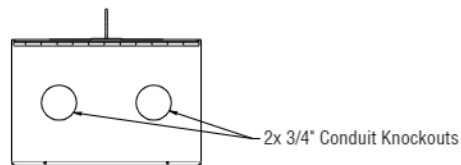
SIDE VIEW



BACK VIEW



BOTTOM VIEW



Specifications

CAPXM Capacity	Resident Capacity 50,000 / Local Event History 50,000
Supply Voltage	24VDC, 60W (minimum), Class 2 Output, Level VI Efficiency, (Power Supply 120VAC, 60Hz, 2A)
Operating Current	0.75A (typical) at 24VDC, 3A Max at 15VDC
Surge Suppression	EFT: 2 kV Power Line, ESD: 15 kV HBM / 8 kV Direct / 200V MM
CAPXM Operating Temperature Range	- 29°C to 54°C (-20°F to 130°F)
Enclosure	Carbon Steel and Aluminum
Storage and Shipping Temperature Range	-40°C To 65°C (-40°F to 149°F)
Wiegand Inputs (2)	26-bit, *30-bit, *32-bit Mifare, *37-bit with and without facility code, and ASCII (for keypads). 12VDC, 250mA power output (per input).
2 Primary and 2 Auxiliary Relay Outputs	SPDT, Rated Load 3A at 30VDC (each)
Accessory Compatibility	Refer to the accessory page for compatible accessories
Network Compatibility	10/100 Ethernet
Wi-Fi® Compatibility	802.11b/g/n @ 2.4 Ghz
Wi-Fi® Security	CAPXM is compatible with routers using the following security protocols: WPA3 Personal and WPA2 Personal (AES).
Wi-Fi® Range	Up to 250 feet (76.2 m), Open Air/Line-of-Sight to front of panel (range will vary depending on obstructions)
Built-in LiftMaster Passport Receiver	Security+ 2.0®
Wireless Communication to Gate Operator	Up to 750 feet (228.6 m), Open Air/Line-of-Sight (range will vary depending on obstructions), Compatible with LiftMaster Security+ 2.0® gate operators, 2018 LiftMaster Gate Operators (firmware v4.4 and later), HD Operators (firmware v3.3 or later). NOT compatible with LiftMaster Barrier Gate Operators.
CAPXM Video Camera	1080p, Viewing angle - 135 degree diagonal, Up to 1,000 30-second temporary video events stored locally

***NOTE:** Only the 26-bit Wiegand protocol is compatible in UL installations. Wi-Fi® and wireless ranges were not evaluated by UL.

Wire Specifications

Use this chart to pull wires in preparation of your installation. Check the national and local building codes **BEFORE** installation.

DESCRIPTION OF WIRE RUN	WIRE SPECIFICATION	MAXIMUM RUN DISTANCE
Power Wire, secondary DC output	2-Conductor 14 AWG	Up to 300 feet (91.4 m)
	2-Conductor 16 AWG	Up to 200 feet (60.9 m)
	2-Conductor 18 AWG	Up to 100 feet (30.4 m)
Local Area Network (LAN) CAT 5e or better Network Cable.	8-Conductor, 24 AWG Twisted pair	328 feet* (100 m)
Grounding the Chassis (use grounding lug in CAPXM)	12 AWG Copper	12 feet (3.7 m)
Door Strike	2-Conductor 18-22 AWG Shielded	100 - 250 feet (30.5 - 76.2 m)
Magnetic Lock	2-Conductor 18-22 AWG	50 - 125 feet (15.2 - 38.1 m)
Dry Contact Closure (Most Gate Operators)	2-Conductor 18-24 AWG Shielded	500 - 2500 feet (152.4 - 762 m)
Exit Request (REX)	2-Conductor 18-24 AWG	500 feet (152.4 m)
Supervised Input	2-Conductor 18-24 AWG	500 feet (152.4 m)
Wiegand/Proximity Readers	7-Conductor 18-22 AWG Shielded	500 feet (152.4 m)

NOTE: Main power supply and control wiring **MUST** be run in separate conduits. Conduits must be UL approved for low and high voltage. Refer to the NEC for additional wiring requirements.

Category 5e cabling is the minimum performance category recommended.

Wiring shall be in accordance with the National Electrical Code (ANSI/NFPA 70), local codes and authorities having jurisdiction.

Always provide power from a dedicated source. Plug provided transformer into an outlet wired to its own 10 Amp minimum circuit breaker. This will prevent two problems:

- Other equipment cannot introduce spikes, noise, surges or dips into the power circuit that will affect the system.
- The system's operation will not be affected if any other equipment develops a short circuit across the power line.

*** CAT 5/6 NETWORK CABLE NOTES:**

- For outdoor distances exceeding 140 feet (42.7 m), a UL497 compliant primary surge protector **MUST** be installed at the CAPXM.
- Distances exceeding 328 feet (100 m) may be accommodated with additional hardware (available through third-party sources).

Internet Requirements

When selecting a router, use the information below to ensure compatibility.

MODEL: CAPXM - Smart Video Intercom M

CAPXM can be connected to a router via a wired connection or Wi-Fi. LiftMaster recommends a minimum upload/download speed of 5Mbps for each CAPXM supporting video camera feeds.

NOTE: This upload speed should be met when considering usage of other devices on the network like cameras and computers.

CAPXM IS COMPATIBLE WITH ROUTERS USING THE FOLLOWING Wi-Fi COMMUNICATION PROTOCOLS:

- 802.11b
- 802.11g
- 802.11n @ 2.4 GHz

CAPXM WI-FI SECURITY COMPATIBILITY

- WPA3 Personal
- WPA2 Personal (AES)

ADDITIONAL COMPATIBILITY CONSIDERATIONS:

- DO NOT use Wi-Fi extender devices. These may introduce latency in the connection leading to choppy or loss of reliable video transmission.
- If using a Wi-Fi signal strength tool or app, a continuous Wi-Fi signal strength connection of at least -65 DBM (numbers closer to zero are stronger strength) at the CAPXM must be guaranteed to ensure an acceptable connection to the local network.
- Hidden network SSIDs are not supported. The network must be selectable from the CAPXM display.
- Wi-Fi networks requiring secondary authentication are not supported (E.g. Hotels and airport Wi-Fi).
- When checking signal strength in CAPXM admin mode, we recommend at least two bars, as shown on the CAPXM screen.
- If two bars are not available, relocate the router, the antenna or use accessory WFAEXT (Wi-Fi Antenna Extension Kit – 15') to move the CAPXM antenna higher up or to a location resulting in two or more bars.

The following services are required for CAPXM to fully function

Setup a myQ[®] Business[™] Account



NOTE: If you have an existing myQ[®] account, your myQ[®] Business[™] account will have the same password. Go to: myQBusiness.com and login.

1. If you do not have a myQ[®] Business[™] account, call LiftMaster Customer Care at 800.323.2276 to activate a myQ[®] Business[™] account.
Be prepared by reviewing the information required on the [Installation Readiness Survey](#).
2. You will get a welcome email from LiftMaster. Accept the invitation and register or login to your account.
3. Setup the facility, select a subscription plan, add residents, and credentials (refer to the available Help in myQ[®] Business[™]).
4. Continue with the installation of the CAPXM in this manual.

For Support, call 800.528.2806 or visit <https://support.partner.liftmaster.com/s/community-access-support>



NOTE: A SIP account is required for calling function. LiftMaster[®] only supports Phone.com for video calling features and cannot guarantee or support 3rd party SIP provider's compatibility for voice only calling.

1 Remove Knockouts

1. Prepare the work surface by laying down a cloth or other protective material.
2. Lay the CAPXM face down on the protective material.
3. Identify which knockouts need to be removed based on your application.
4. Use a center punch tool to remove the knockouts from the outside of the box inward using an appropriately sized punch and hammer. **NOTE:** *Be careful when removing the knockouts to avoid damaging the CAPXM components.*

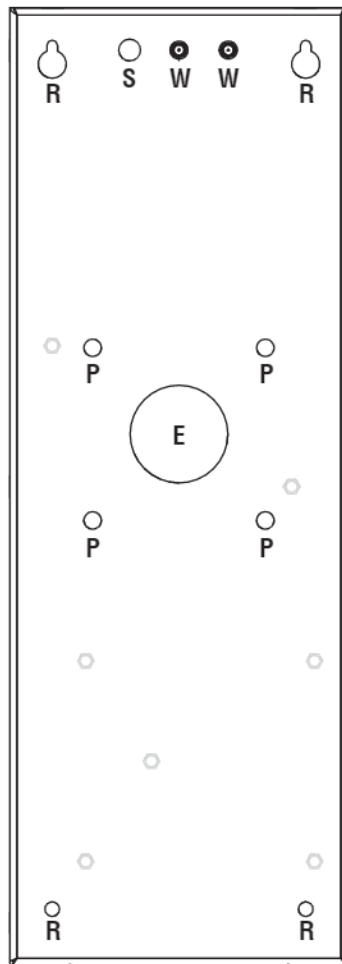
⚠ CAUTION

To prevent damage to the CAPXM from moisture or water:

- DO NOT install during rain. Internal components MUST be kept from of water and moisture.
- BEFORE opening the front cover of the CAPXM, remove ANY accumulated water from the top of the CAPXM.

To prevent damage to ANY internal components:

- DO NOT attempt to remove the knockouts with a hammer. Banging on the knockouts may result in shock to the circuit boards, which could cause permanent damage.



E = Electrical Wiring

P = Pedestal Mount

R = Recess/Surface Mount

S = Security+ 2.0®
Radio Antenna

W = Wi-Fi® Antenna

2 Mount CAPXM

1. Attach the goose-neck gasket (provided) if mounting to a goose-neck.
2. Mount the CAPXM securely to a flat surface or pedestal with appropriate (1/4 in.) hardware taking care to route wiring through appropriate knockouts. Stainless steel hardware is recommended to mount the CAPXM. Use of zinc plated or galvanized hardware is at risk for galvanic corrosion.

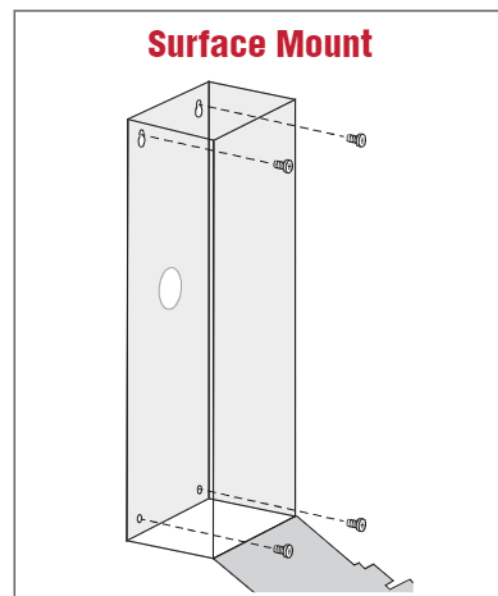
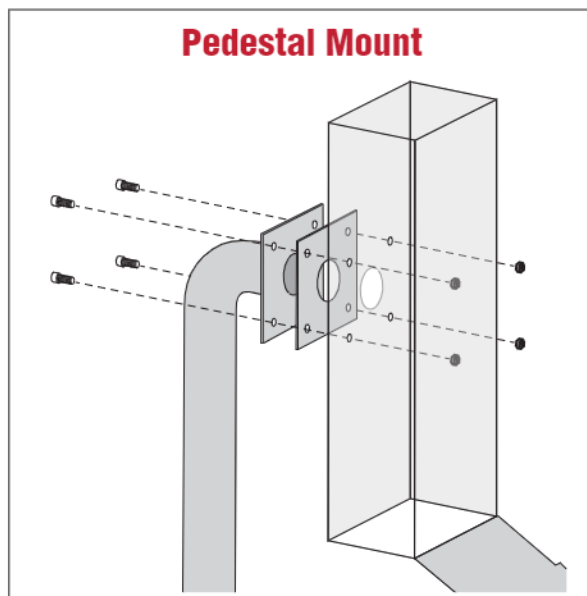
NOTES:

-Ensure the cover can fully open to allow access after the installation is complete. Allow 1/8 in. (3.175 mm) of space between the bottom of CAPXM and the wall, if flush-mounting CAPXM without the trim kit.

-ADA Compliance: When mounting the CAPXM at a pedestrian entrance, to meet ADA compliance, mount the top of the CAPXM screen no higher than 54 inches from the ground.

DO

Make sure the CAPXM is properly sealed to prevent damage to the CAPXM from moisture.

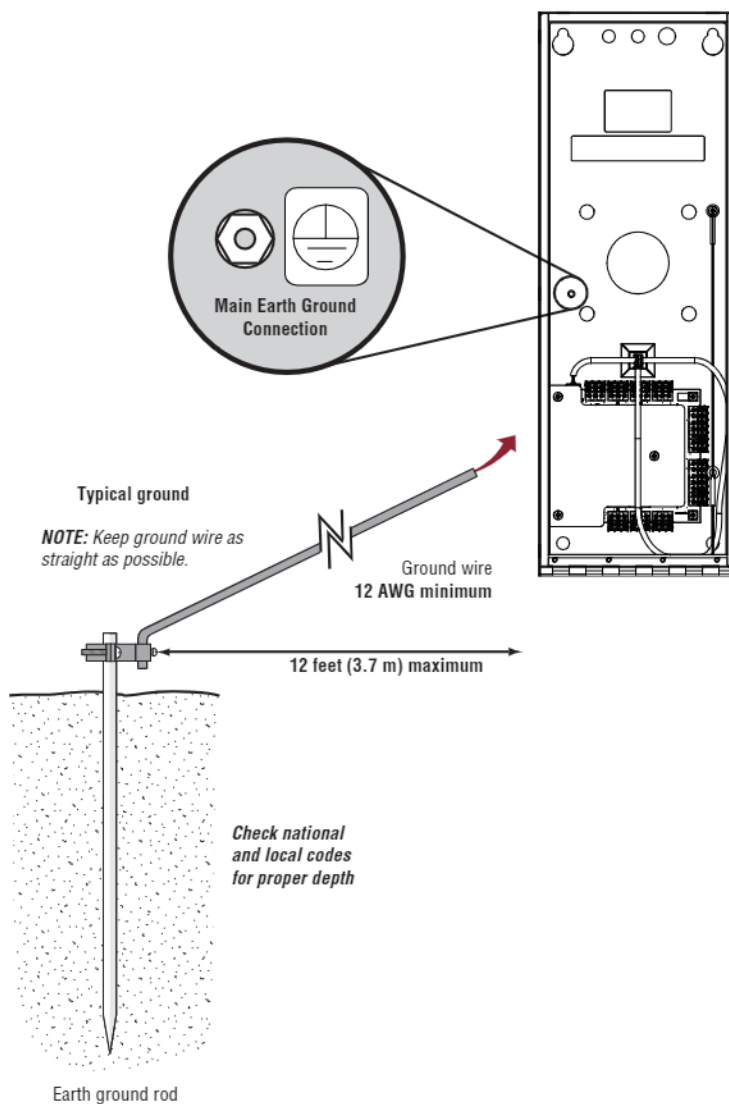


3 Install the Ground

IMPORTANT: An earth ground rod is strongly recommended and should be no further than 12 feet (3.7 m) from the CAPXM and use a minimum of 12 gauge wire in most cases. The type and length of earth ground rods vary by region. Contact the AHJ (Authority Having Jurisdiction) in the municipality where you plan to install the CAPXM for correct grounding materials and installation procedures. A proper ground is critical to minimizing risk for the CAPXM from damaging electrical transients.

1. Connect the ground wire (12 AWG or larger) to the CAPXM main earth ground connection.
2. Run the wire from the CAPXM to suitable earth ground.

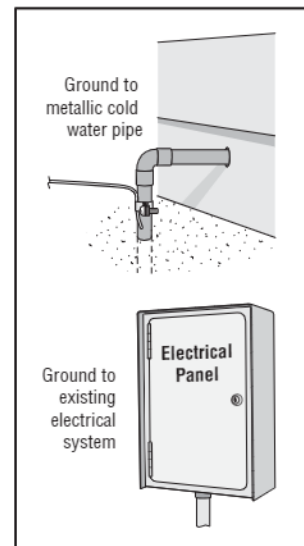
NOTE: Shield connections on boards should not be connected to main earth ground connection.



CAUTION

To AVOID damaging gas, power or other underground utility lines, contact underground utility locating companies BEFORE digging.

Other ground sources within 12 feet of access control panel



4 Connect Power

The outlet for the CAPXM MUST be an external dedicated 120 Vac outlet. Refer to the table below for maximum wire run distances. This outlet should be wired back to its own 10 Amp minimum circuit breaker.

WIRE SPECIFICATION	MAXIMUM RUN DISTANCE
14 AWG	Up to 300 feet (91.4 m)
16 AWG	Up to 200 feet (60.9 m)
18 AWG	Up to 100 feet (30.4 m)

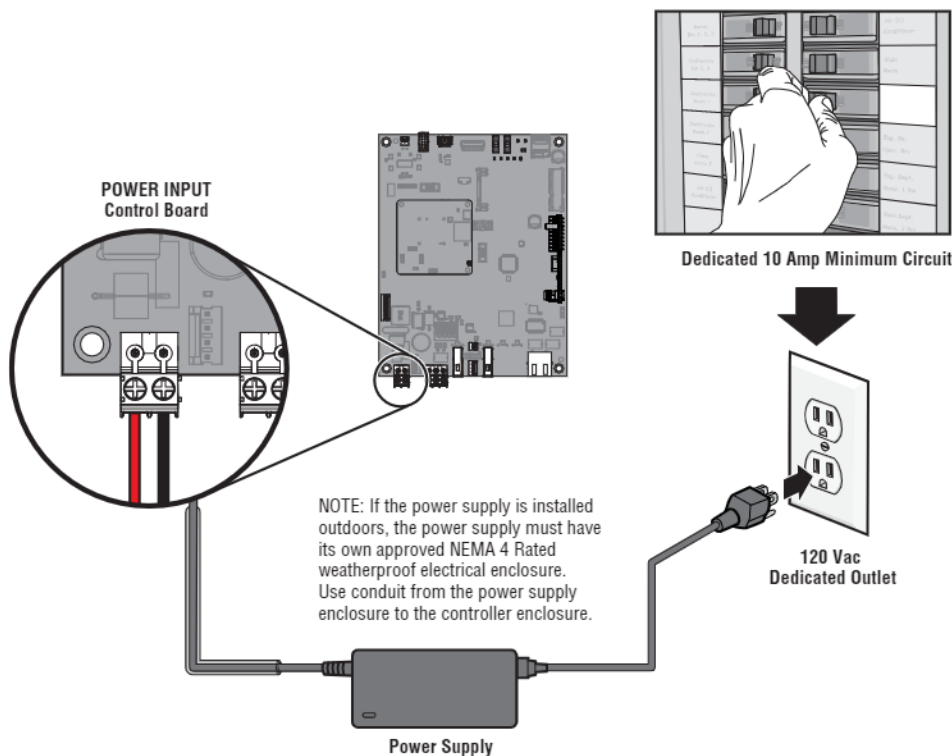
1. Connect 14-18 AWG wire to the stripped secondary DC output wires on the power supply. Black is negative and red is positive.
2. Remove the PWR INPUT terminal block from the Control Board.
3. Connect the power supply wires to the PWR INPUT terminal block (red to +24V and black to GND). Reattach the terminal block to the Control Board.
4. Plug the power supply into a 120 Vac outlet after all connections have been made.

NOTE: The green LED on the door board will blink and the green LEDs on the Control Board will light solid when powered up. The CAPXM will display the LiftMaster logo while booting up. When boot up is complete, the user interface will appear.

5. Close the CAPXM door.

⚠ CAUTION

- DO NOT use ANY power supply other than those supplied with your CAPXM.
- DO NOT power electronic strikes and latches with the same power supply used to power the access control panel; doing so will cause DAMAGE to the CAPXM. Use ONLY a UL listed burglar alarm or access control system to power electronic strikes and latches.
- DO NOT connect the power supply to a switched outlet or otherwise controlled AC outlet.
- DO NOT connect the power supply to the 120 Vac outlet until ALL wiring is completed.
- Install the transient noise suppression device (MOV) supplied with the CAPXM for AC powered devices and Diode for DC powered devices.
- DISCONNECT the power supply from the 120 Vac outlet prior to removing or attaching the terminal block to the Control Board.



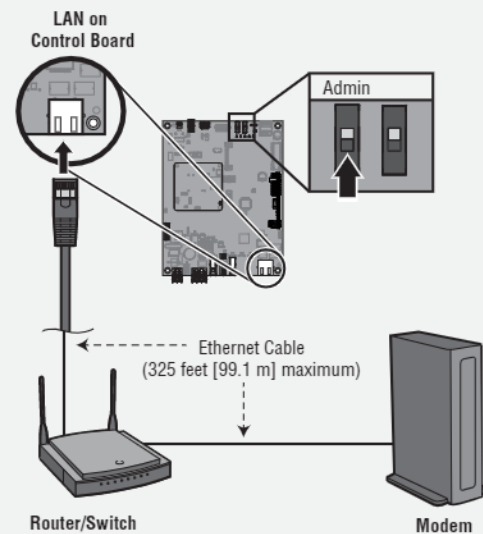
1 Connect Internet

The CAPXM can connect to the Internet with a wired connection or with Wi-Fi® (wireless). See page 10 for Internet requirements. Make sure you are in the Admin Mode before you connect to the Internet. If you are not in Admin Mode, flip switch #1 to the ON position on the Control Board, press the Network tab on the CAPXM display, and press the “Change Network Settings” button. Follow the instructions according to your application.

OPTION 1 Wired Connection

The Local Area Network (LAN) port is a 10/100 Ethernet interface with an RJ45 jack for connecting the CAPXM to a hub, switch, or router in order for it to gain connectivity to the Internet. Use a straight, (i.e., non-crossover) Cat5e, or Cat6 cable to connect to a local hub, switch or router. This type of cable is referred to as an Ethernet cable in this manual.

1. Connect an Ethernet cable from the hub, switch, or router to the LAN port on the Control Board. When connected properly, the green and amber LED on the Ethernet port of the control board will light/flicker (the control board is located on the back of the CAPXM display). If the green LED is not lit, check the connections on the CAPXM and the Ethernet hub.
2. On the display, select **Wired Network** if dynamic configuration (DHCP) is desired or select **Manual Setup** for a static IP address.



OPTION 2 Connect through Wi-Fi® (Wireless)

1. On the display select **Wi-Fi® Network**.
2. Select the network the CAPXM will use.
3. Enter the password for the network.
4. Select **Login**.

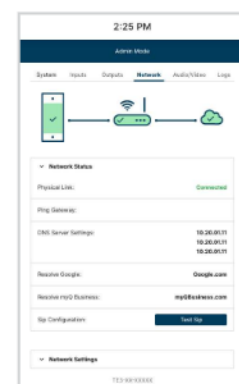
Additional compatibility considerations:

- When checking signal strength in CAPXM admin mode, we recommend at least two bars.
- If two bars are not available, relocate the router, the antenna or use accessory WFAEXT (Wi-Fi® Antenna Extension Kit – 15') to move the CAPXM antenna higher up or to a location resulting in two or more bars.
- If using a Wi-Fi® signal strength tool or app, a continuous Wi-Fi® signal strength connection of at least -65 dBm (numbers closer to zero are stronger strength) at the CAPXM must be guaranteed to ensure an acceptable connection to the local network.
- Hidden network SSIDs are not supported. The network must be selectable from the CAPXM display.
- Wi-Fi® networks requiring secondary authentication are not supported (E.g. Hotels and airport Wi-Fi®).



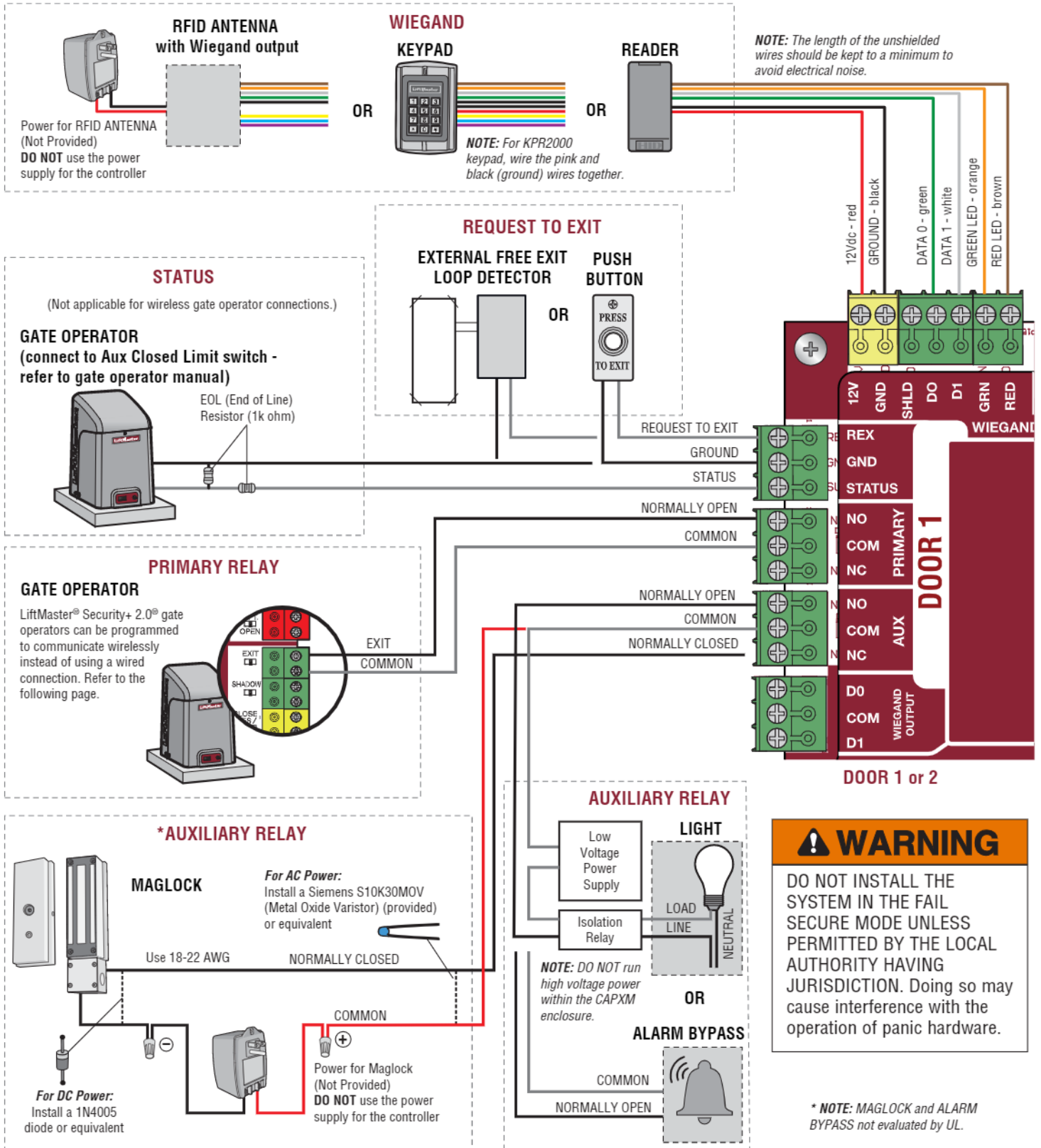
2 Validate Setup

On the display, select each tab in Admin Mode to validate setup (network, inputs, outputs, etc.). Once you have validated the setup, exit Admin Mode.



Gate Access (Wired)

Disconnect power BEFORE making electrical connections. Below is an example of a wiring setup for gate access. Gate access can be wired to Door 1 or 2 on the Door Board. LiftMaster® Security+ 2.0® gate operators can also be programmed to communicate wirelessly instead of using a wired connection (refer to the following page).



Gate Access (Wireless)

The CAPXM can communicate wirelessly to LiftMaster® UL325 gate operators to send open commands, monitor gate position, and send email notifications if an error occurs in the operator (email notifications are configured in myQ® Business™). Up to 4 gate operators can be paired with the CAPXM - one for each primary and auxiliary relay. If using dual gates, program the CAPXM to the primary operator.

NOTE: Use of this feature requires the optional Passport antenna kit.

1 Enter Admin Mode

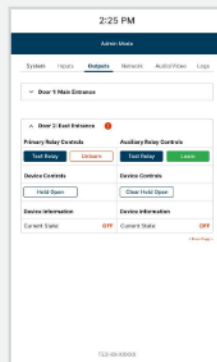
Flip switch #1 to the ON position to enter Admin Mode.

NOTE: For new installations press the login button without entering information in the Admin Username and Admin Password fields.



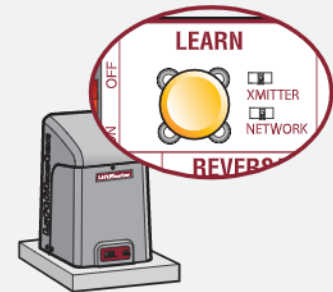
2 Select Outputs and Relay

Select the **Outputs** tab. Then select the desired relay on the left-hand side (1 through 4).



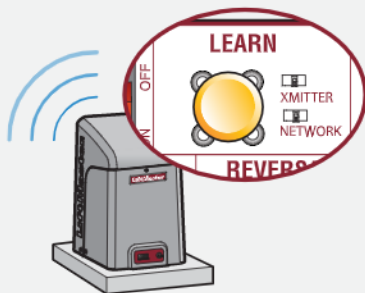
3 Press LEARN button on gate operator

Press and release the LEARN button on the primary operator. The green XMITTER LED will light. **NOTE:** The operator will time out of programming mode after 180 seconds.



4 Press LEARN button on gate operator again

Press and release the LEARN button again on the primary operator. The yellow NETWORK LED will light.



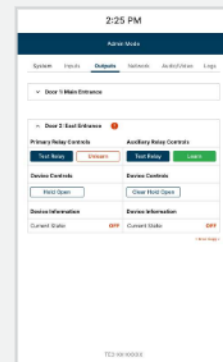
5 Select LEARN on display

Select the LEARN button on the display and the Learn button will go from blue to red. The gate operator and the CAPXM will beep once and the NETWORK LED on the gate operator will turn off indicating programming is successful.

NOTE: 4 beeps/blinks indicate you are not programming to the primary operator. Attempt programming from the other operator.

6 Validate

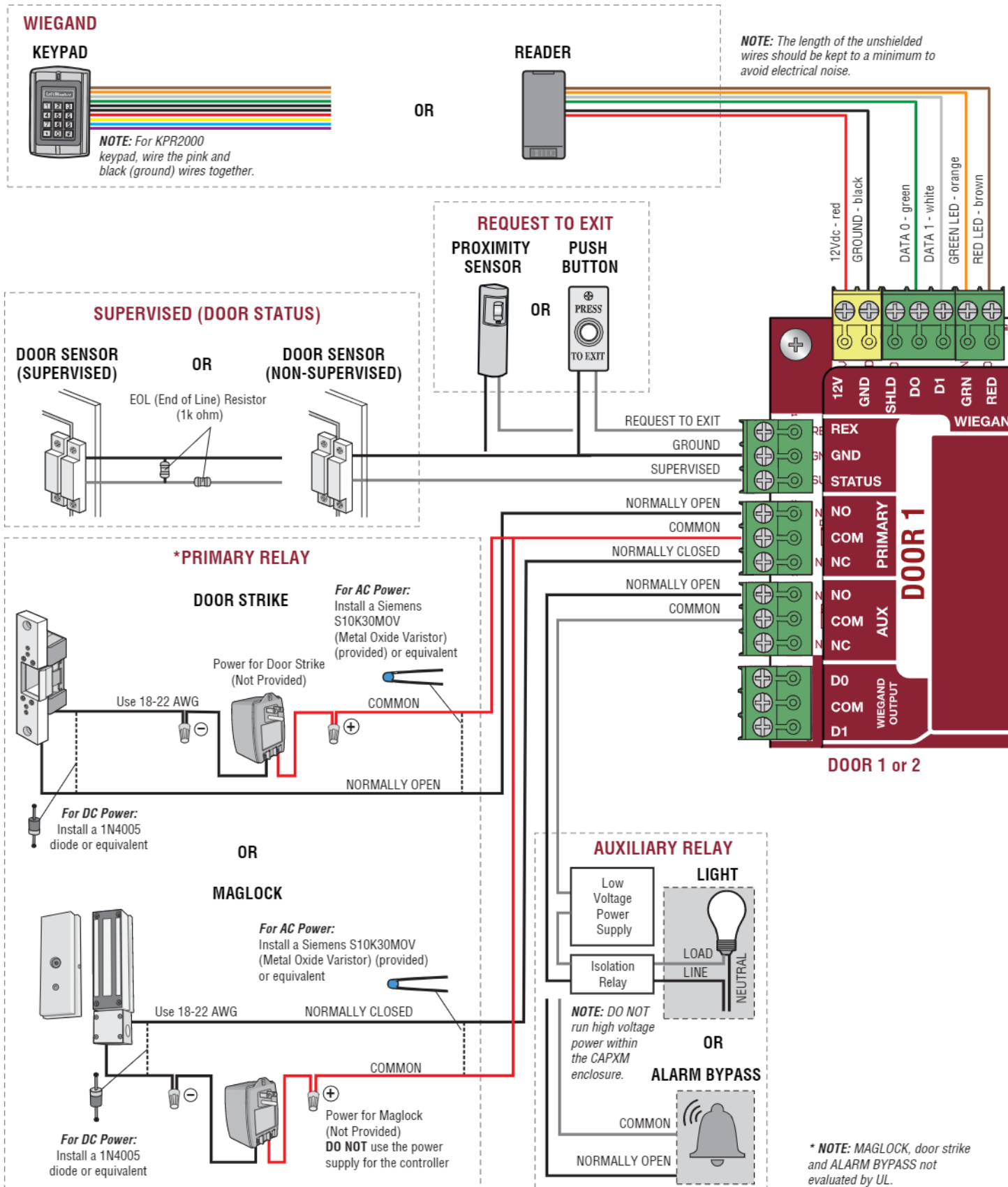
Validate functionality by selecting **Test Relay** on the CAPXM display.



Visit myQBusiness.com for more information on how to set up doors for wireless linking.

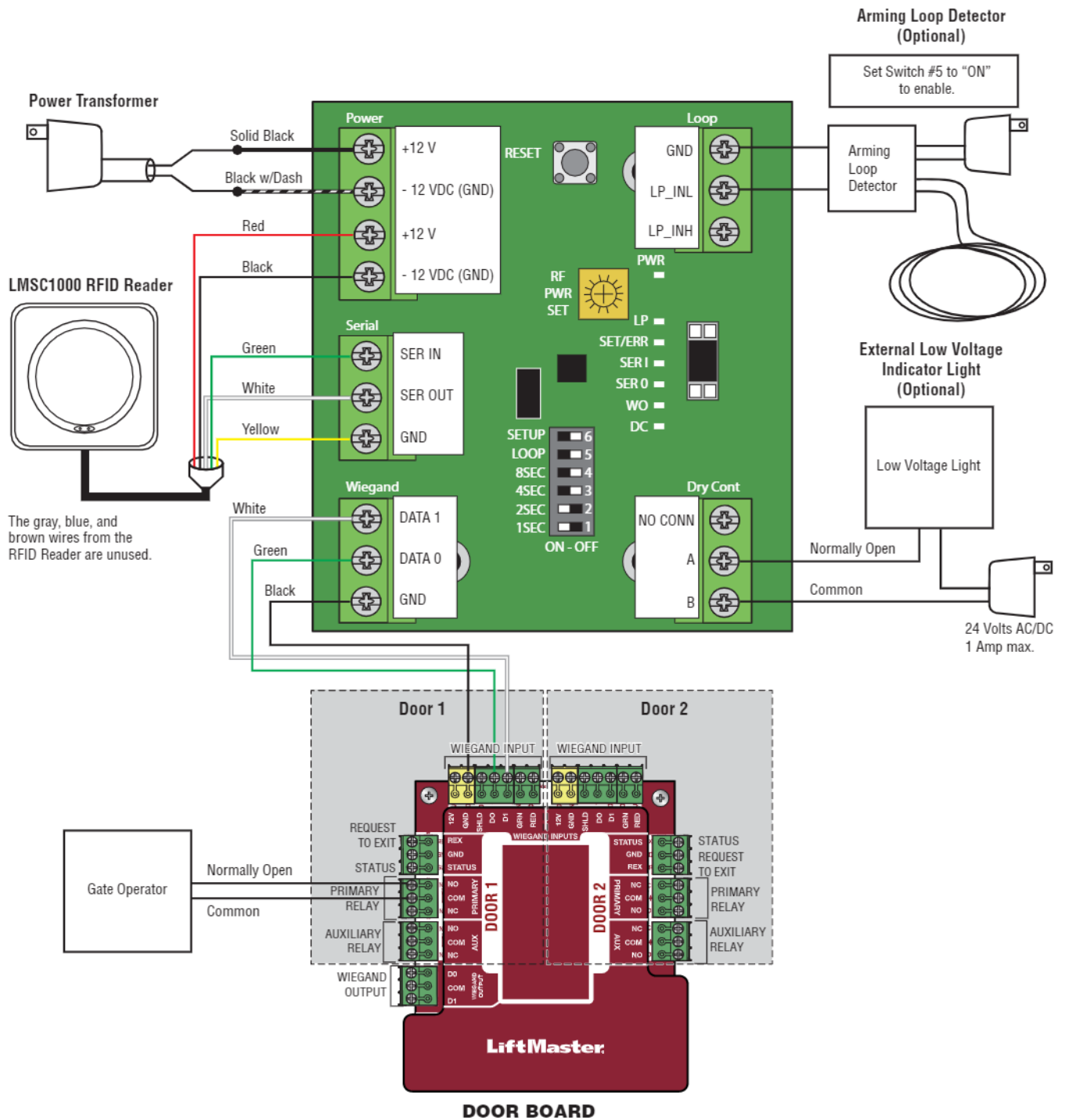
Door Access

Disconnect power **BEFORE** making electrical connections. Below is an example of a wiring setup for door access. Door access can be wired to Door 1 or 2 on the Door Board.



* NOTE: MAGLOCK, door strike and ALARM BYPASS not evaluated by UL.

LiftMaster LMSC1000 RFID Reader Wiring Diagram



Wiegand Output

Disconnect power **BEFORE** making electrical connections. The CAPXM offers a Wiegand output capable of 26-bit transmission of the following data:

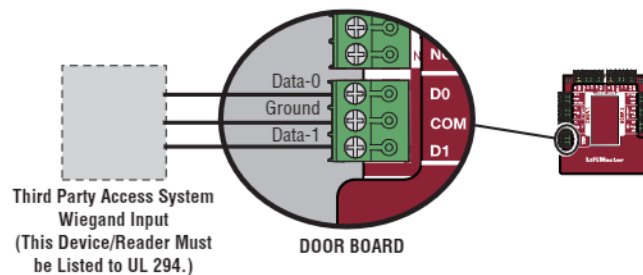
- Success Call with access granted by the resident. The CAPXM will provide a myQ® Business™ specified facility code followed by the Directory Code of the resident that granted access.

And/Or

- Successful access through Entry Code. The CAPXM will provide a myQ® Business™ specified facility code followed by the successful Entry Code.

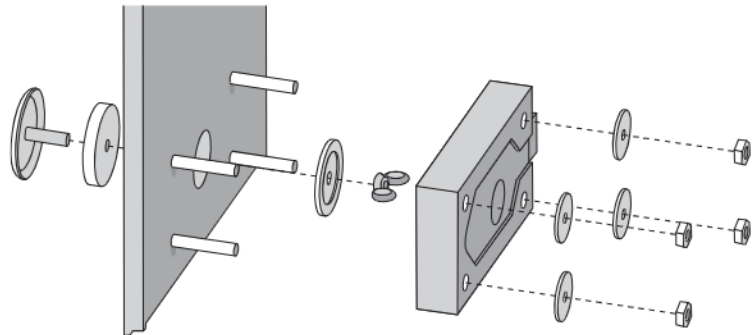
And/Or

- Successful access with a Wiegand credential. The CAPXM will pass along the successful credential Facility Code and ID.



Postal Lock

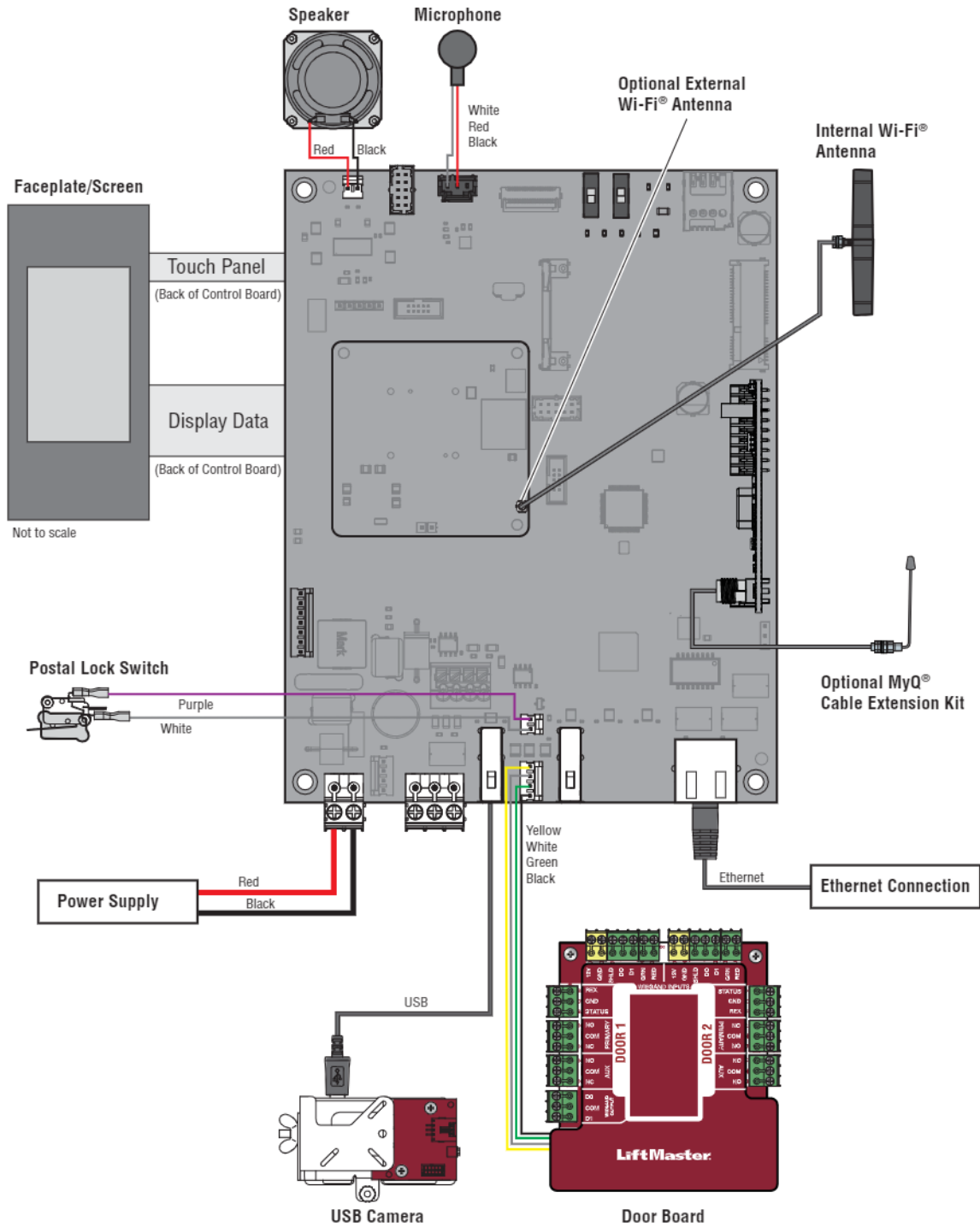
1. Remove the wing nut and plug. Discard the wing nut and plug.
2. Remove 4 mounting nuts from studs.
3. Install postal lock using 4 nuts.
4. Cut the factory installed wire tie from the postal lock switch.
5. The postal lock switch is wired from the factory.



Wiring Diagram

⚠ CAUTION

Not responsible for conflicts between the information listed in the wiring diagram and the requirements of your local building codes. The information is for suggested use ONLY. Check your local codes BEFORE installation.



Repair Parts

ITEM	PART NUMBER
Cam and Lock Kit	K41-0215-000
Front Panel with Display Kit, CAPXM	K41-0216-000
Control Board, CAPXM	K41-0217-000
Microphone Kit, CAPXM	K41-0223-000
Postal Lock Switch, CAPXM	K41-0219-000
Rear Housing Assembly, CAPXM	K41-0220-000
Wiring Kit, CAPXM	K41-0221-000
Speaker Kit, CAPXM	K41-0222-000
Power Supply Kit	K41-0227-000
Door Board and Covers	K001D8478
USB Camera Kit	CAPXLCAM

Accessories

ITEM	PART NUMBER
Reader Multi-class SE RP10 Mini Mullion	LMMC-MINI
Wi-Fi® Antenna Kit	K76-38957
Radio Antenna Kit	K76-38958
Radio Antenna Extension (15 foot)	86LM
Wi-Fi® Antenna Extension (15 foot)	WFAEXT
Wi-Fi®/Bluetooth® External Antenna	WFBTEXT
ESARM Antenna	XMANTKIT
Internal Proximity Reader	XMRDRKIT
Wiegand Keypad/Proximity Reader	KPR2000*
Connected Access Portal 2 Door	CAP2D
Cellular 4G/LTE Modem with Wi-Fi®	CAPCELL
All LiftMaster® myQ®/UL325 compatible gate operators	
Passport 3-Button Visor Remote Control MAX	PPV3M
Passport 3-Button Mini Remote Control MAX	PPK3M
Passport 3-Button Mini Proximity Remote Control MAX	PPK3PHM
Passport Lite 1-Button Visor Remote	PPLV1-X**
Passport Lite 1-Button Key Chain Remote	PPLK1-X**
Passport Lite 1-Button Mini Proximity Remote	PPLK1PH-X**
RFID Long Range Reader	LMSC1000
RFID Universal Tag (windshield/headlamp)	LMUNTG
RFID Vehicle Hang Tag	LMHNTG

* KPR2000 is not UL listed to UL 294. It cannot be used as primary means of granting or denying access but only for supplemental use.

** Available in 10 and 100 packs, replace X with 10 or 100

NOTE: A current list of compatible readers and keypads is maintained at LiftMaster.com. If you have a specific model of reader or keypad that is not listed on the LiftMaster website, please contact LiftMaster Technical Support to determine compatibility.

Configuration Sheet

Record device information and configuration settings below.

CAPXM Name:
<i>NOTE: Any user of the system is subject to the terms outlined in the product EULA.</i>
Notes:

DEVICE CONFIGURATION:

DOOR 1	DOOR/GATE NAME:		
INPUTS	WIEGAND	REX	STATUS
			EOL (Y / N)
OUTPUTS	PRIMARY RELAY		AUXILIARY RELAY
	N.O.	N.C.	N.O.
			N.C.
Notes:			

DOOR 2	DOOR/GATE NAME:		
INPUTS	WIEGAND	REX	STATUS
			EOL (Y / N)
OUTPUTS	PRIMARY RELAY		AUXILIARY RELAY
	N.O.	N.C.	N.O.
			N.C.
Notes:			

Legal Disclaimers

Canada-Underwriters Laboratories Compliance

The CAPXM shall be installed in accordance with Part 1 of the Canadian Electrical Code.

Documentation Disclaimer and Restrictions

Information in this document is subject to change without notice and does not represent a commitment on the part of LiftMaster. For the most up-to-date information, visit LiftMaster.com.

This document and the data herein shall not be duplicated, used or disclosed to others for procurement or manufacturing, except as authorized with the written permission of LiftMaster. The information contained within this document or within the product itself is considered the exclusive property of LiftMaster. All information in this document or within the hardware and software product themselves is protected by the copyright and/or other intellectual property laws of the United States.

UL 294 Access Control Unit Endurance: Level 3, Line security: Level 1, Destructive Attack: Level 1, Power Standby: Level 1

NOTICE: This device complies with part 15 of the FCC rules and Innovation, Science and Economic Development Canada license-exempt RSSs. Operation is subject to the following two conditions: (1) this device may not cause harmful interference, and (2) this device must accept any interference received, including interference that may cause undesired operation. Any changes or modifications not expressly approved by the party responsible for compliance could void the user's authority to operate the equipment.

This device must be installed to ensure a minimum 20 cm (8 in.) distance is maintained between users/bystanders and device.

This device has been tested and found to comply with the limits for a Class B digital device, pursuant to part 15 of the FCC rules and Industry Canada ICES standard. These limits are designed to provide reasonable protection against harmful interference in a residential installation. This equipment generates, uses and can radiate radio frequency energy and, if not installed and used in accordance with the instructions, may cause harmful interference to radio communications.

However, there is no guarantee that interference will not occur in a particular installation. If this equipment does cause harmful interference to radio or television reception, which can be determined by turning the equipment off and on, the user is encouraged to try to correct the interference by one or more of the following measures:

- Reorient or relocate the receiving antenna.
- Increase the separation between the equipment and receiver.
- Connect the equipment into an outlet on a circuit different from that to which the receiver is connected.
- Consult the dealer or an experienced radio/TV technician for help.

NOTICE: When mounting the CAPXM at a pedestrian entrance, to meet ADA compliance, mount the top of the CAPXM screen no higher than 54 inches from the ground.

NOTE: When installing CAPXM, please refer to the local jurisdiction for any specific requirements such as physical signage that may be required.

Warranty

LiftMaster ("Seller") warrants to the first purchaser of this product, for the structure in which this product is originally installed, that it is free from defect in materials and/or workmanship for a period of two years from the date of purchase.

The proper operation of this product is dependent on your compliance with the instructions regarding installation, operation, maintenance and testing. Failure to comply strictly with those instructions will void this limited warranty in its entirety.

If, during the limited warranty period, this product appears to contain a defect covered by this limited warranty, call 1-800-528-2806 before dismantling this product. Then send this product, pre-paid and insured, to our service center for warranty replacement. Products returned to Seller for warranty replacement, which upon receipt by Seller are confirmed to be defective and covered by this limited warranty, will be replaced (at Seller's sole option) at no cost to you and returned pre-paid. Defective parts will be replaced with new or factory-rebuilt parts at Seller's sole option.

THIS LIMITED WARRANTY IS IN LIEU OF ANY OTHER WARRANTIES, EXPRESS OR IMPLIED, INCLUDING ANY IMPLIED WARRANTY OF MERCHANTABILITY OR FITNESS FOR A PARTICULAR PURPOSE OR OTHERWISE, AND OF ANY OTHER OBLIGATIONS OR LIABILITY ON SELLER'S PART. THIS LIMITED WARRANTY DOES NOT COVER NON-DEFECT DAMAGE, DAMAGE CAUSED BY IMPROPER INSTALLATION, OPERATION OR CARE (INCLUDING, BUT NOT LIMITED TO ABUSE, MISUSE, FAILURE TO PROVIDE REASONABLE AND NECESSARY MAINTENANCE, UNAUTHORIZED REPAIRS OR ANY ALTERATIONS TO THIS PRODUCT), LABOR CHARGES FOR REINSTALLING A REPAIRED OR REPLACED UNIT, PROBLEMS RELATED TO INTERFERENCE, OR REPLACEMENT OF BATTERIES.

UNDER NO CIRCUMSTANCES SHALL SELLER BE LIABLE FOR CONSEQUENTIAL, INCIDENTAL OR SPECIAL DAMAGES ARISING IN CONNECTION WITH USE, OR INABILITY TO USE, THIS PRODUCT. IN NO EVENT SHALL SELLER'S LIABILITY FOR BREACH OF WARRANTY, BREACH OF CONTRACT, NEGLIGENCE OR STRICT LIABILITY EXCEED THE COST OF THE PRODUCT COVERED HEREBY. NO PERSON IS AUTHORIZED TO ASSUME FOR US ANY OTHER LIABILITY IN CONNECTION WITH THE SALE OF THIS PRODUCT.

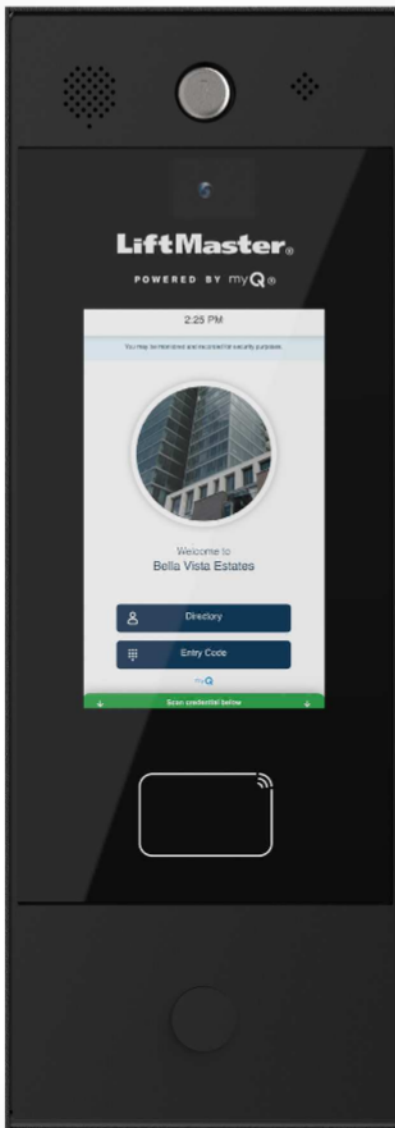
Some states do not allow the exclusion or limitation of consequential, incidental or special damages, so the above limitation or exclusion may not apply to you. This limited warranty gives you specific legal rights, and you may also have other rights which vary from state to state.

myQ® Business™

Smart Video Intercom M

MANUEL D'INSTALLATION

Modèle **CAPXM**



LiftMaster®

Sécurité

Examen des symboles de sécurité et des mots de signalement

Les symboles de sécurité et les mots de signalement qui figurent sur les pages suivantes vous avertissent de la possibilité de blessures graves ou mortelles en cas de non-conformité aux avertissements qui les accompagnent. Le danger peut être de source mécanique ou provenir d'une décharge électrique. Lisez attentivement les avertissements.

Lorsque ce mot-indicateur figure sur les pages suivantes, il vous alerte de la possibilité de dommages à la barrière et/ou à l'actionneur de porte si les mises en garde qui l'accompagnent ne sont pas observées. Prière de les lire attentivement.

AVERTISSEMENT

MÉCANIQUE

AVERTISSEMENT

ÉLECTRICITÉ

ATTENTION

AVERTISSEMENT

Pour réduire le risque de BLESSURES GRAVES, voire MORTELLES :

- Déconnecter l'alimentation au niveau de la boîte à fusibles AVANT de poursuivre.
- Pour ÉVITER d'endommager les conduites de gaz, d'alimentation électrique ou autres conduites de services publics, contacter les compagnies de localisation de services souterrains AVANT d'entreprendre les travaux d'excavation.
- TOUTES les connexions électriques DOIVENT être réalisées par un professionnel compétent.
- TOUT câblage d'alimentation et de commande DOIT être acheminé dans un conduit séparé.
- TOUS les câblages d'alimentation doivent se trouver sur un circuit spécialisé et bien protégé. L'emplacement du dispositif de déconnexion de l'alimentation doit être visible et clairement étiqueté.
- Le CAPXM doit être installé conformément au code de l'électricité national et à tous les codes locaux.

Pour assurer la protection contre le feu et une électrocution :

- DÉCONNECTER l'alimentation AVANT de procéder à l'installation ou à une intervention d'entretien sur le CAPXM.
- NE JAMAIS connecter un clavier/lecteur ou une serrure aux portes sans d'abord consulter le code de prévention des incendies applicable.
- Il est IMPÉRATIF de consulter les autorités du service local des incendies et d'obtenir leur approbation AVANT d'installer des serrures ou des dispositifs à TOUTE porte qui pourrait servir de sortie de secours en cas d'incendie.
- Il est possible que l'utilisation de boutons-poussoirs pour une porte de secours ne soit pas légale. Des sorties de secours à action unique peuvent être exigées.
- Obtenir TOUJOURS les permis et autorisations appropriés AVANT d'installer un équipement quelconque.

AVERTISSEMENT

NE PAS INSTALLER LE SYSTÈME EN MODE DE SÉCURITÉ INTÉGRÉE SAUF SI LES AUTORITÉS LOCALES AYANT JURIDICTION LE PERMETTENT. Cela pourrait causer une interférence avec le fonctionnement de la serrure antipanique.



AVERTISSEMENT : Ce produit peut vous exposer à des produits chimiques, y compris du plomb, reconnus par l'État de la Californie comme étant cancérigènes ou pouvant causer des anomalies congénitales ou d'autres préjudices à l'appareil reproducteur. Pour plus d'information, visitez www.P65Warnings.ca.gov.

INTRODUCTION

Présentation du CAPXM	4
Présentation de la carte logique	5
Présentation de la carte de la porte	6
Contenu de la boîte	7
Outils nécessaires	7
Dimensions	8
Caractéristiques du système	8
Caractéristiques techniques du câblage	9
Exigences internet	10

1

PRÉ-INSTALLATION

Création d'un compte myQ Business™	11
--	----



2

INSTALLATION

Enlever les entrées défonçables	12
Montage du CAPXM	13
Installation de la masse	14
Raccordement de l'alimentation	15

3

RÉSEAU

Se connecter à internet	16
Valider les réglages	16

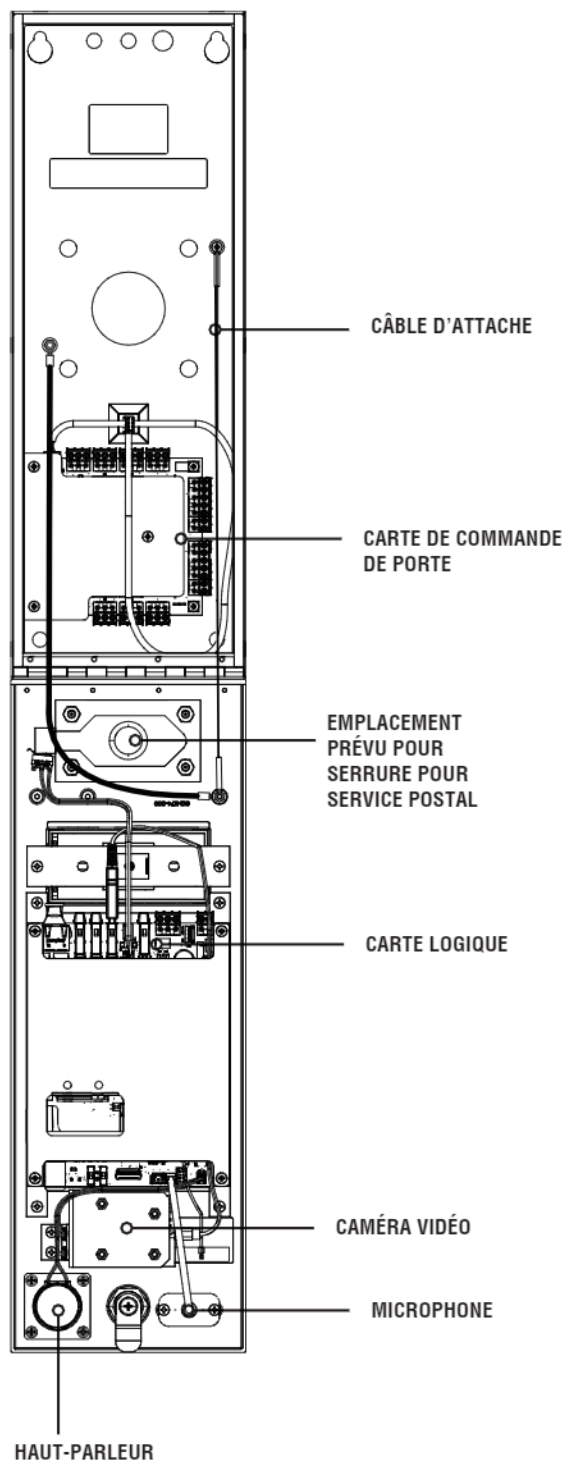
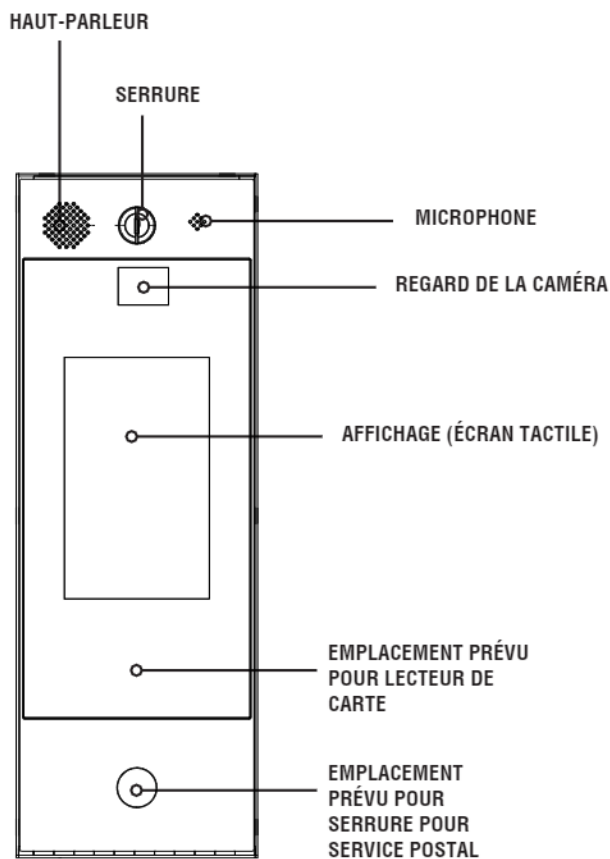
4

CONTRÔLE D'ACCÈS

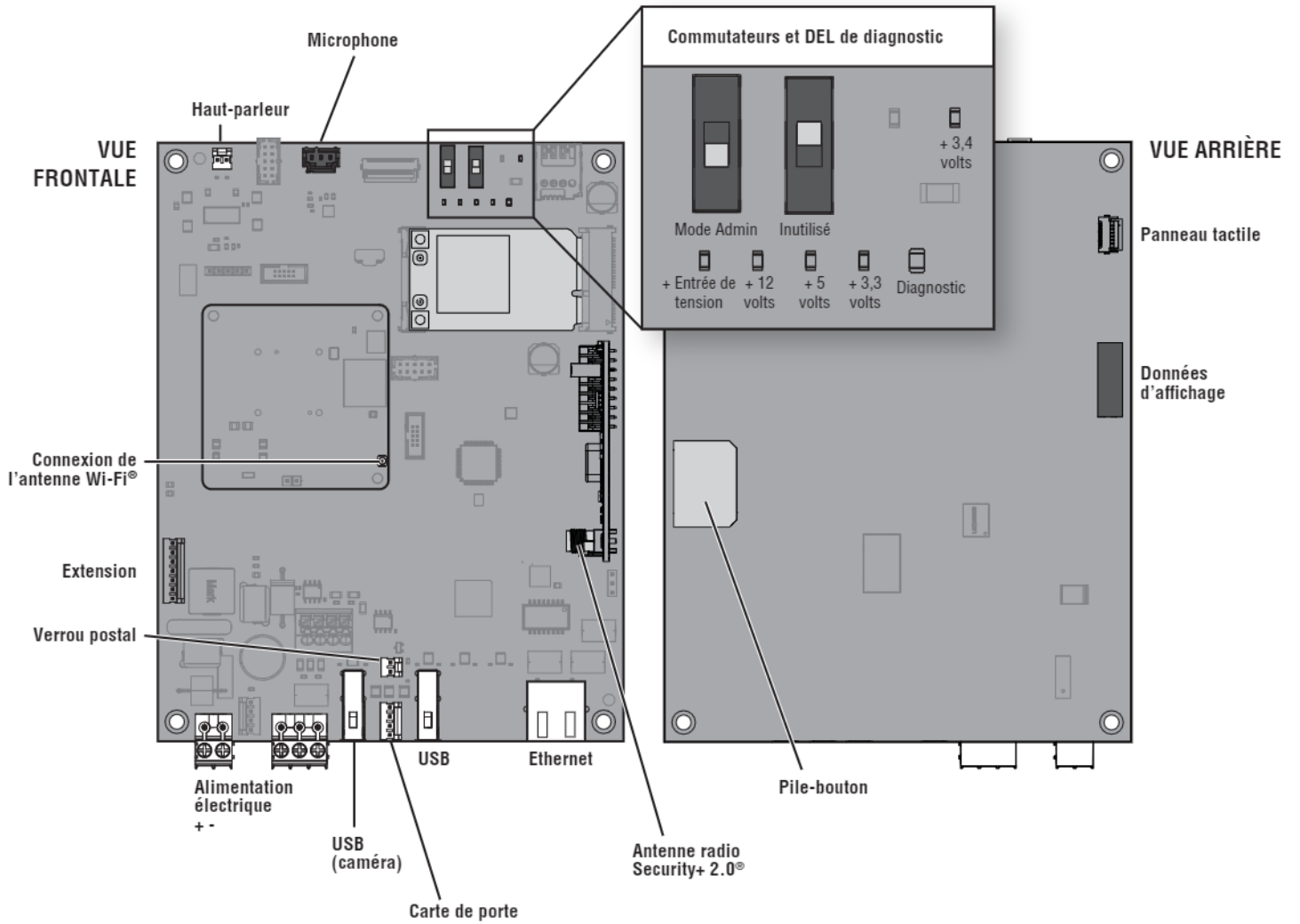
Accès à la barrière (câblé)	17
Accès à la barrière (sans fil)	18
Accès à la porte	19
Lecteur RFID	20
Sortie Wiegand	21
Serrure pour service postal	21
Schéma de câblage	22
Pièces de réparation	23
Accessoires	23
Feuille de configuration	24
Avis de non-responsabilité	25
Garantie	26

Présentation du CAPXM

Le Smart Video Intercom M (modèle CAPXM) est une solution de contrôle d'accès infonuagique qui comprend une caméra vidéo intégrée avec fonctions vidéo avancées.

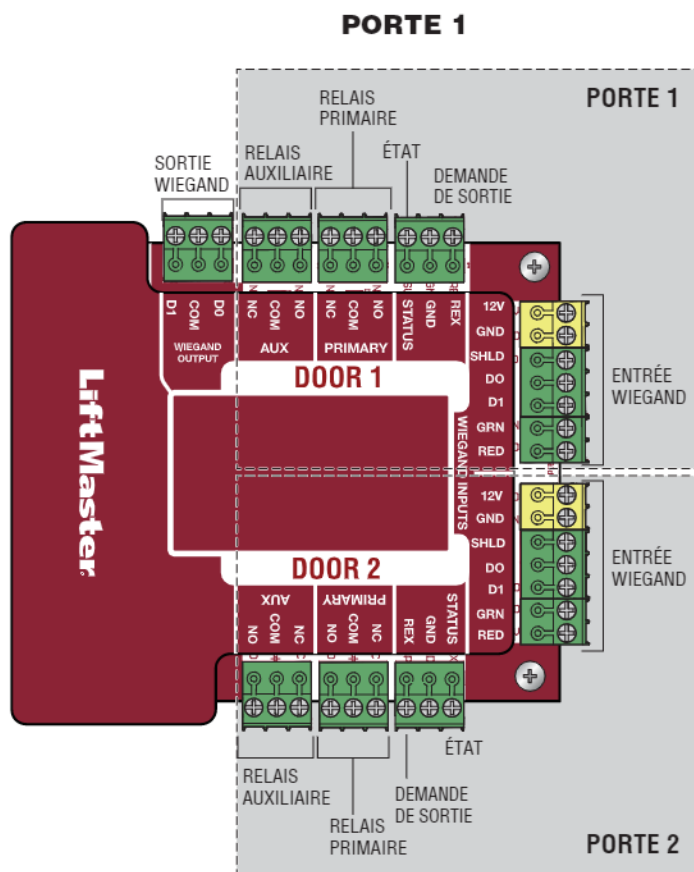


Présentation de la carte logique



Présentation de la carte de la porte

Le CAPXM a une combinaison d'entrées/sorties d'accès sur la carte de porte qui fonctionnent en conjonction pour commander jusqu'à 2 points d'accès.

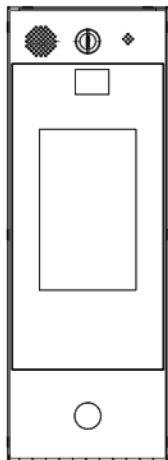


Consulter la page 17 pour le schéma de câblage.

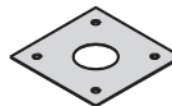
ENTRÉE/SORTIE	UTILISÉE POUR
Sortie de relais 1	Actionneur de barrière, gâches de porte, serrures électromagnétiques, éclairage (pour commande uniquement - l'alimentation doit être fournie par une source externe), shunt d'alarme
Sortie de relais 2	
Sortie Wiegand 1	Standard 26 bits, Wiegand 30 bits, HID 37 bits avec code d'installation, Transcore 37 bits, 32 bits MiFare
Sortie Wiegand 2	
Entrée supervisée 1	Capteur de porte fermée (supervisé en aval ou non supervisé), capteur de barrière de fin de course de fermeture (supervisé en aval ou non supervisé), capteur de barrière de fin de course d'ouverture (supervisé en aval ou non supervisé)
Entrée supervisée 2	

REMARQUE : Seul le protocole Wiegand de 26 bits est compatible avec les installations UL.

Contenu de la boîte



Alimentation électrique



Joint pour col de cygne

S10K30MOV
(varistance à oxyde métallique)(4)

Clés PK625 (2)



Trousse de diodes 1N4005 (4)

FOURNI (NON MONTRÉ)

- Manuel d'installation

Outils nécessaires

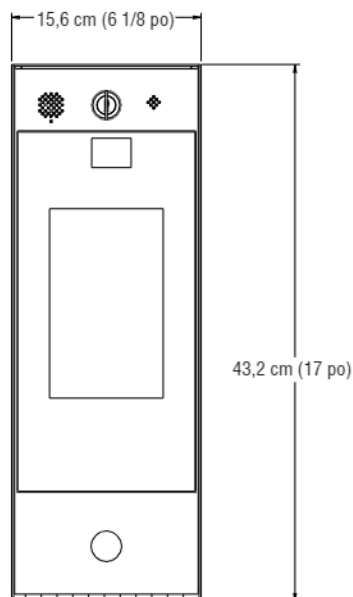
- Tournevis à tête cruciforme PH2
- Tournevis à tête plate de précision 1/8 po ou cruciforme PH0
- Tourne-écrou magnétique 1/4 po
- Perceuse/tournevis électrique
- 7/64" Mèche
- Embouts de perceuse à percussion pour perceuse/outil électrique
- Pincés à sertir RJ45
- Multimètre
- Ruban à mesurer
- Cintreuse de tuyaux rigides
- Alésoir/coupe-tuyau
- Scie à métaux
- Pointeau
- Marteau

Outils supplémentaires recommandés

- Testeur de câblage de réseau local
- Appli d'analyse du Wi-Fi (appli de téléphone intelligent)
- Logiciel d'analyse du réseau
- Ordinateur avec port Ethernet
- Cordon de raccordement Ethernet

Dimensions

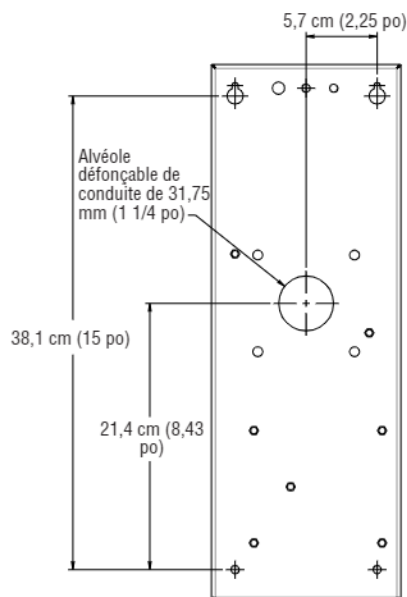
VUE FRONTALE



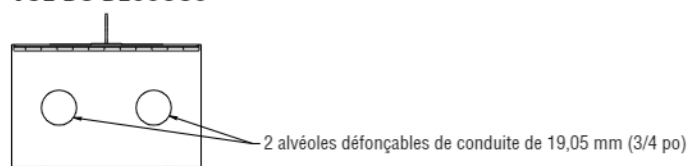
VUE LATÉRALE



VUE ARRIÈRE



VUE DU DESSOUS



Caractéristiques techniques

Capacité du CAPXM	Capacité de résidents 50 000 / Historique d'événements locaux 50 000
Tension d'alimentation	24 V c. c., 60 W (minimum), sortie de classe 2, efficacité de niveau VI, (source d'alimentation 120 V c. a., 60 Hz, 2 A)
Courant de fonctionnement	0,75 A (typique) à 24 V c. c., 3 A max. à 15 V c. c.
Limite de surtension	Protection contre les transitoires électriques rapides : ligne d'alimentation 2 kV, protection électrostatique : 15 kV Hbm / 8 kV direct / 200 V Mm
Plages de températures de service du CAPXM	-29 °C à 54 °C (-20 °F à 130 °F)
Enceinte	Acier au carbone et aluminium
Plage de températures de rangement et d'expédition	-40 °C à 65 °C (-40 °F à 149 °F)
Entrées Wiegand (2)	26 bits, *30 bits, *32 bits Mifare, *37 bits avec ou sans code d'installation et ASCII (pour claviers). 12 V c. c., sortie de puissance 250 mA (par entrée).
Sorties de relais : 2 primaires et 2 auxiliaires	interrupteur unipolaire bidirectionnel, charge nominale de 3 A à 30 V c. c. (chacun)
Compatibilité des accessoires	Se reporter à la page des accessoires
Compatibilité du réseau	10 / 100 Ethernet
Compatibilité Wi-Fi®	802.11b/g/n @ 2,4 Ghz
Sécurité Wi-Fi®	Le CAPXM est compatible avec les routeurs qui utilisent les protocoles de sécurité suivants : WPA3 personnel et WPA2 personnel (AES).
Portée du signal WiFi®	Jusqu'à 76,2 m (250 pi), champ libre/visibilité directe à l'avant du panneau (la portée variera selon les obstructions)
Récepteur Passport LiftMaster intégré	Security+ 2.0®
Communication sans fil à l'actionneur de barrière	Jusqu'à 228,6 m (750 pi), champ libre/visibilité directe (la portée variera selon les obstructions), compatible avec les actionneurs de barrière LiftMaster Security+ 2.0®, les actionneurs de barrière LiftMaster 2018 (logiciel v4.4 et ultérieure), les actionneurs HD (logiciel v3.3 ou ultérieure). NON compatible avec les actionneurs de barrière de type barrage LiftMaster.
Caméra vidéo CAPXM	1 080 p, angle de visualisation - 135 degrés en diagonale, jusqu'à 1 000 événements vidéo temporaires de 30 secondes stockés localement

***REMARQUE :** Seul le protocole Wiegand de 26 bits est compatible avec les installations UL. Les portées Wi-Fi® et sans fil n'ont pas été évalués par l'UL.

Caractéristiques techniques du câblage

Utiliser ce tableau pour tirer les fils en préparation de votre installation. Consulter les codes du bâtiment nationaux et locaux avant d'effectuer l'installation.

DESCRIPTION DU FILAGE	CARACTÉRISTIQUES TECHNIQUES DU CÂBLAGE	DISTANCE MAXIMALE DU FILAGE
Câble d'alimentation, sortie c. c. secondaire	à 2 conducteurs 14 AWG à 2 conducteurs 16 AWG à 2 conducteurs 18 AWG	Jusqu'à 91,4 m (300 pi) Jusqu'à 60,9 m (200 pi) Jusqu'à 30,4 m (100 pi)
Réseau local (LAN) Câble de réseau CAT 5e ou mieux	à 8 conducteurs, à paires torsadées 24 AWG	100 m (328 pi)*
Mise à la masse du châssis (utiliser la cosse de mise à la terre dans le CAPXM)	Cuivre 12 AWG	3,7 m (12 pi)
Gâche de porte	à 2 conducteurs, blindé 18 à 22 AWG	100 - 250 30,5 à 76,2 m (100 à 250 pi)
Serrure électromagnétique	à 2 conducteurs, 18 à 22 AWG	50 - 125 15,2 à 38,1 m (100 à 250 pi)
Fermeture à contact sec (la plupart des actionneurs)	à 2 conducteurs, blindé 18 à 24 AWG	500 - 2 500 152,4 à 762 m (100 à 250 pi)
Demande de sortie (REX)	à 2 conducteurs, 18 à 24 AWG	500 pi (152,4 m)
Entrée supervisée	à 2 conducteurs, 18 à 24 AWG	500 pi (152,4 m)
Lecteurs Wiegand/de proximité	à 7 conducteurs, blindé 18 à 22 AWG	500 pi (152,4 m)

REMARQUE : Le câblage d'alimentation et de commande **DOIT** être acheminé dans des conduits distincts. Le conduit doit être homologué UL pour faibles et hautes tensions. Consulter le code de l'électricité national (NEC) pour les exigences de câblage supplémentaires.

Le câblage de catégorie 5e est la catégorie de rendement minimal recommandée.

Le câblage doit être conforme au code national de l'électricité (ANSI/NFPA 70), aux codes locaux et aux autorités ayant juridiction.

Fournir toujours une alimentation d'une source réservée à cet effet. Brancher le transformateur fourni dans une prise câblée à son propre disjoncteur de 10 A au minimum. Cela permet de prévenir deux problèmes :

- un autre équipement ne pourra pas introduire dans le circuit d'alimentation du bruit, des pointes ou chutes de tension ou des surtensions qui compromettraient le système.
- Le fonctionnement du système ne sera pas touché si tout autre équipement développe un court-circuit dans la ligne électrique.

*CÂBLE DE RÉSEAU CAT 5/6 REMARQUES :

- Pour les distances extérieures dépassant 42,7 m (140 pi), un limiteur de tension primaire conforme à la norme UL497 **DOIT** être installé au CAPXM.
- Les distances dépassant 100 m (328 pi) peuvent être accommodées par le recours à une quincaillerie supplémentaire (offerte auprès de sources de tierce partie).

Exigences internet

Lors du choix d'un routeur, se servir de l'information ci-dessous pour garantir la compatibilité.

MODÈLE : CAPXM - Smart Video Intercom M

Le CAPXM peut être connecté à un routeur par le biais d'une connexion câblée ou par le Wi-Fi. LiftMaster recommande une vitesse minimale de téléversement/téléchargement de 5 Mb/s pour chaque CAPXM prenant en charge la transmission à la caméra.

REMARQUE : Cette vitesse de téléversement devrait être assurée lorsqu'on envisage d'utiliser d'autres dispositifs sur le réseau comme des caméras et des ordinateurs.

LE CAPXM EST COMPATIBLE AVEC LES ROUTEURS QUI UTILISENT LES WI-FI PROTOCOLES DE COMMUNICATION SUIVANTS :

- 802.11b
- 802.11g
- 802.11n @ 2.4 GHz

COMPATIBILITÉ DE SÉCURITÉ AVEC LE CAPXM WI-FI

- WPA3 personnel
- WPA2 personnel (AES)

CONSIDÉRATIONS SUPPLÉMENTAIRES DE COMPATIBILITÉ:

- NE PAS utiliser d'amplificateurs de signal Wi-Fi. Ceux-ci peuvent créer un délai de transit dans la connexion entraînant une transmission vidéo intermittente ou manquant de fiabilité.
- Si un outil ou une appli de puissance du signal Wi-Fi est utilisé, une connexion ayant une puissance de signal Wi-Fi d'au moins -65 dBm (les nombres plus proches de zéro indiquent un signal plus puissant) au CAPXM doit être garantie pour assurer une connexion acceptable au réseau local.
- Les noms de réseau sans fil cachés ne sont pas pris en charge. Le réseau doit être sélectionnable à partir de l'écran d'affichage du CAPXM.
- Les réseaux Wi-Fi exigeant une authentification secondaire ne sont pas pris en charge (p. ex. réseaux Wi-Fi d'hôtels et d'aéroports)
- Lors de la vérification de la puissance du signal en mode Admin du CAPXM, on recommande d'obtenir au moins deux barres, comme illustré à l'écran du CAPXM.
- Si deux barres ne sont pas accessibles, replacer le routeur, l'antenne ou utiliser l'accessoire WFAEXT (trousse de rallonge d'antenne Wi-Fi - 15 pi) pour déplacer l'antenne du CAPXM plus haut ou à un endroit ayant pour résultat un signal indiquant deux barres ou plus.

Les services suivants sont nécessaires pour que le CAPXM puisse pleinement fonctionner.

Création d'un compte myQ® Business™



REMARQUE : Si un compte myQ® existe déjà, votre compte myQ® Business™ aura le même mot de passe. Aller à : myQBusiness.com pour vous connecter.

1. Si vous n'avez pas de compte myQ® Business™, appeler le service à la clientèle LiftMaster au 800 323.2276 pour activer un compte myQ® Business™.
Se préparer à examiner l'information demandée sur le [Questionnaire de préparation à l'installation](#) :
2. Un courriel de bienvenue vous sera envoyé LiftMaster. Accepter l'invitation et s'inscrire ou ouvrir une session dans le compte.
3. Configurer l'installation et ajouter les résidents et identifiants (consulter la section Aide [Help] dans myQ® Business™).
4. Poursuivre l'installation du CAPXM dans ce manuel.

Pour une assistance, composer le 800 528.2806 ou aller à <https://support.partner.liftmaster.com/s/community-access-support>



REMARQUE : Un compte SIP est exigé pour la fonction d'appel. LiftMaster® prend uniquement en charge Phone.com pour les fonctions d'appel vidéo et ne peut garantir ou prendre en charge la compatibilité d'un fournisseur de service internet tiers pour les appels vocaux exclusivement.

1 Enlever les alvéoles défonçables

1. Préparer la surface de travail en étendant un drap ou un autre matériau protecteur.
2. Déposer le CAPXM, face orientée vers le sol, sur le matériau protecteur.
3. Déterminer les entrées défonçables qui doivent être enlevées selon votre application.
4. Se servir d'un pointeau pour enlever les entrées défonçables de l'extérieur du boîtier vers l'intérieur à l'aide du poinçon et du marteau de la taille appropriée. **REMARQUE** : Prendre soin d'éviter tout dommage aux composants du CAPXM en enlevant les entrées défonçables.

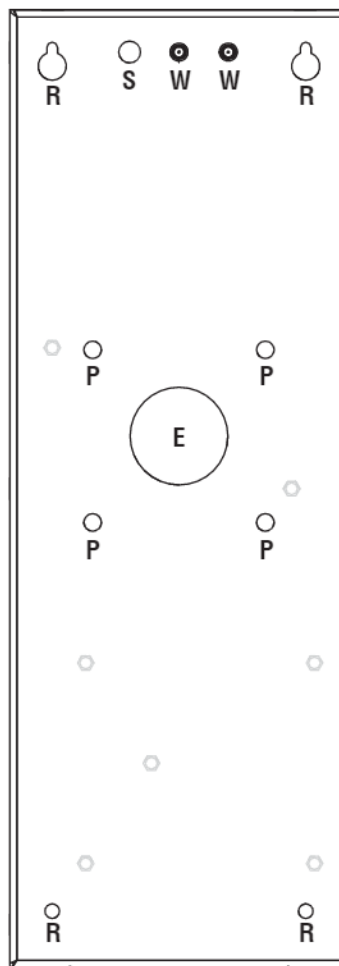
! ATTENTION

Afin de prévenir les dommages au CAPXM causés par l'humidité ou l'eau :

- NE PAS procéder à l'installation sous la pluie. Les composants internes DOIVENT être complètement à l'abri de l'eau et de l'humidité.
- AVANT d'ouvrir le couvercle avant du CAPXM, éliminer TOUTE eau accumulée sur le dessus du CAPXM.

Pour prévenir les dommages à TOUT composant interne :

- NE PAS tenter d'enlever les alvéoles défonçables avec un marteau. Les coups de marteau sur les alvéoles défonçables pourraient causer un choc aux cartes de circuits imprimés de même que des dommages permanents.



- E = câblage électrique
 P = Montage sur socle
 R = Montage encastré/de surface
 S = Security+ 2.0[®] Antenne radio
 W = antenne Wi-Fi[®]

2 Monter le CAPXM

1. Fixer le joint à col de cygne (fourni) si le dispositif est monté sur un col de cygne.
2. Monter le CAPXM solidement à une surface plane ou sur un socle avec la quincaillerie (6,35 mm ou 1/4 po) appropriée en prenant soin d'acheminer le câblage par les bonnes alvéoles défonçables. On recommande d'utiliser une quincaillerie en acier inoxydable pour monter le CAPXM. L'utilisation d'une quincaillerie plaquée zinc ou galvanisée présente un risque de corrosion galvanique.

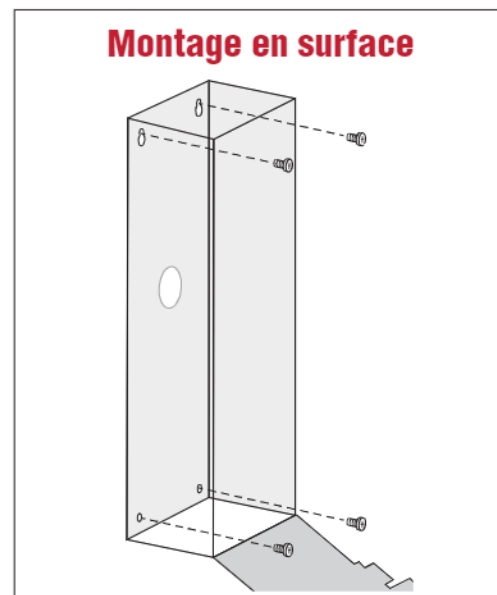
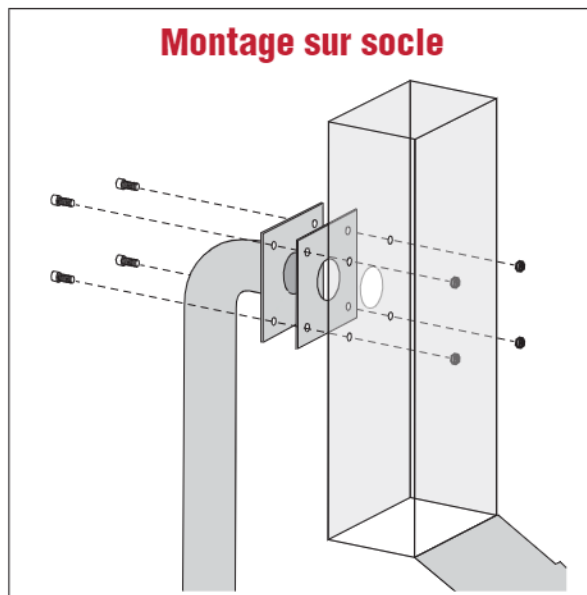
REMARQUES :

- S'assurer que le couvercle peut s'ouvrir complètement pour permettre l'accès une fois l'installation complétée. Laisser 3,175 mm (1/8 po) d'espace entre le bas du CAPXM et le mur dans le cas d'un montage affleurant sans la trousse de garniture.

- Conformité à l'ADA : Lors du montage du CAPXM à une entrée pour piétons, monter le dessus de l'écran du CAPXM à une hauteur ne dépassant pas 137 cm (54 po) du sol afin d'assurer la conformité à l'ADA.

FAIRE

S'assurer que le CAPXM est bien étanche pour prévenir les dommages causés par l'humidité.

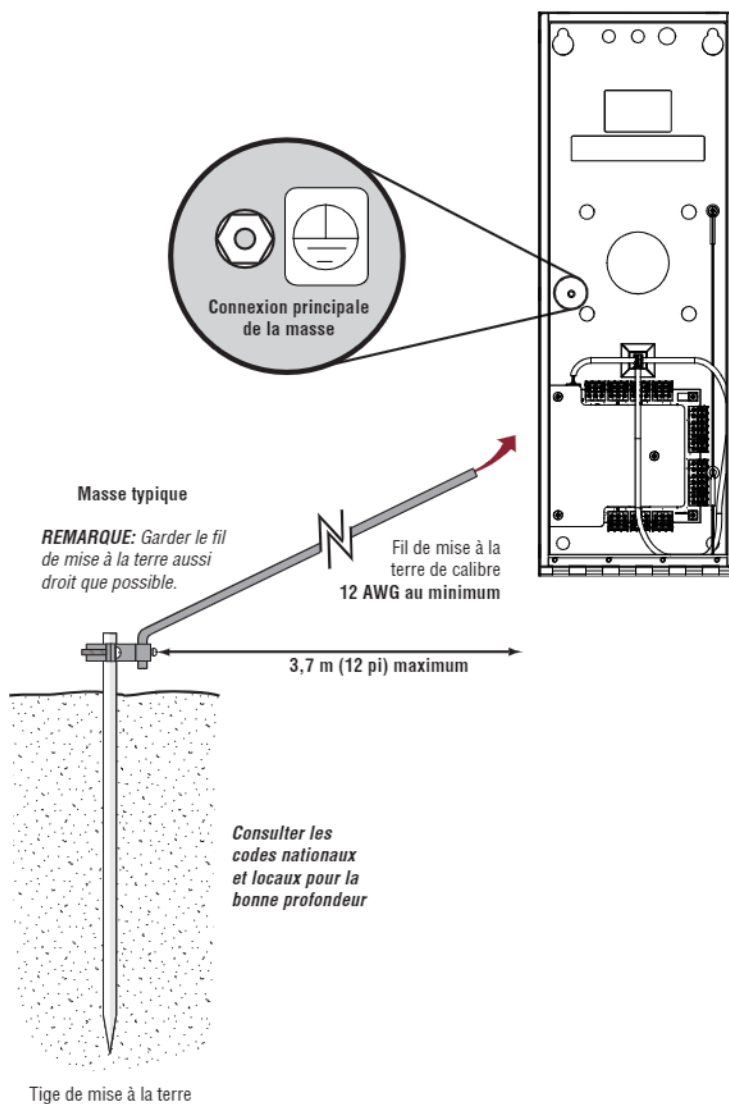


3 Installation de la masse

IMPORTANT : Une tige de mise à la terre est fortement recommandée et ne doit pas être située à plus de 3,7 m (12 pi) du CAPXM; de plus, elle doit utiliser dans la plupart des cas un fil de calibre 12 au minimum. Le type et la longueur des tiges de mise à la terre varient par région. Contacter la juridiction ayant autorité dans la municipalité dans laquelle vous comptez installer le CAPXM pour vous assurer d'utiliser les matériaux adéquats et les bonnes directives d'installation de la masse. Une masse adéquate est essentielle pour minimiser le risque de dommages au CAPXM causés par des courants transitoires.

1. Connecter le fil de mise à la terre (de calibre 12 AWG ou plus) à la principale cosse de mise à la terre du CAPXM.
2. Acheminer le câblage du CAPXM à une masse convenable.

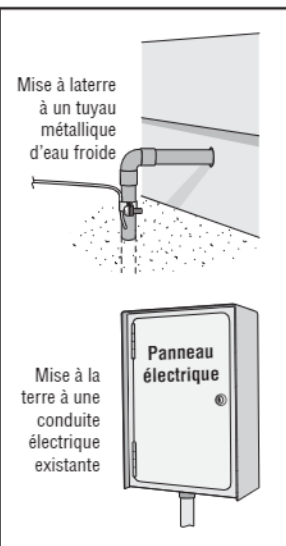
REMARQUE : Les connexions blindées sur les cartes ne doivent pas être raccordées à la principale cosse de mise à la terre.



⚠ ATTENTION

Pour ÉVITER d'endommager les conduites de gaz, d'alimentation électrique ou autres conduites de services publics, contacter les compagnies de localisation de services souterrains AVANT d'entreprendre les travaux d'excavation.

Autres sources de mise à la terre à une distance de moins de 12 pi (3,65 m) du panneau de contrôle d'accès



4 Connecter l'alimentation

La prise du CAPXM DOIT être une prise externe réservée de 120 V c. a. Consulter le tableau ci-dessous pour les distances maximales d'acheminement des fils. Cette prise doit être câblée à son propre disjoncteur de 10 A au minimum.

CARACTÉRISTIQUES TECHNIQUES DU CÂBLAGE	DISTANCE MAXIMALE DU FILAGE
14 AWG	Jusqu'à 91,4 m (300 pi)
16 AWG	Jusqu'à 60,9 m (200 pi)
18 AWG	Jusqu'à 30,4 m (100 pi)

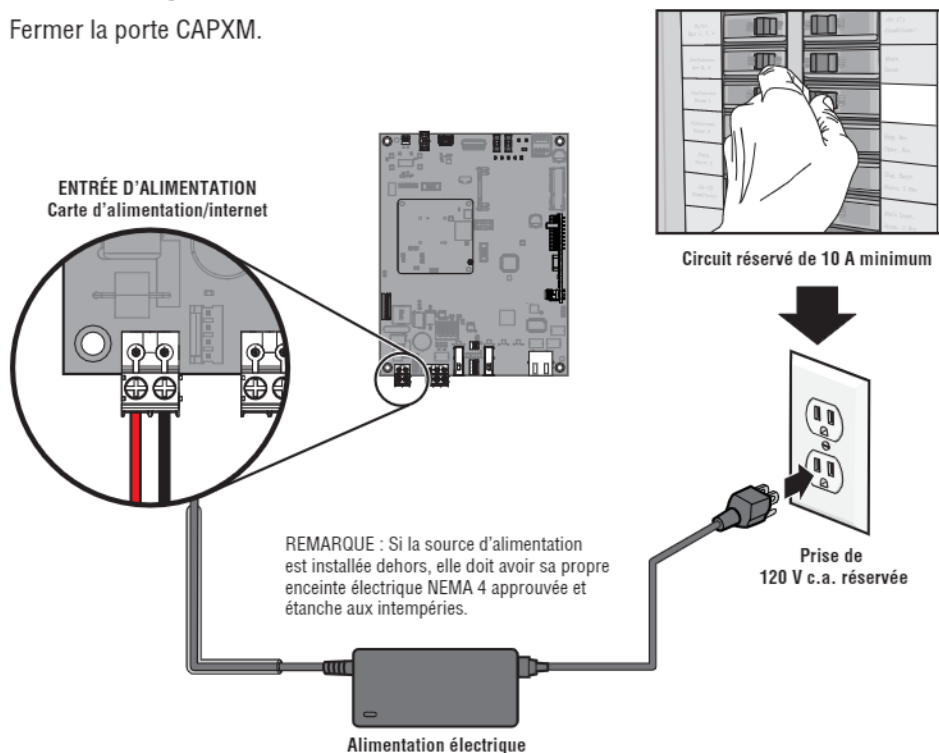
1. Connecter le fil 14-18 AWG aux fils de sortie c. c. secondaires dénudés sur la source d'alimentation. Le noir est de polarité négative et le rouge est de polarité positive.
2. Enlever le bornier d'entrée d'alimentation (PWR INPUT) de la carte logique.
3. Connecter les fils d'alimentation électrique au bornier PWR INPUT (Entrée d'alimentation) (rouge à +24 V et noir à GND [masse]). Rattacher le bornier à la carte d'alimentation.
4. Brancher la source d'alimentation dans une prise de 120 V c. a. lorsque toutes les connexions ont été effectuées.

REMARQUE : La DEL verte sur la carte de la porte clignotera et la DEL verte sur la carte logique s'allumera en continu au moment de la mise sous tension. Le CAPXM affichera le logo LiftMaster logo pendant le démarrage. Une fois le démarrage effectué, l'interface utilisateur s'affichera.

5. Fermer la porte CAPXM.

ATTENTION

- N'utiliser AUCUNE autre source d'alimentation que celle fournie avec votre CAPXM.
- NE PAS alimenter les gâches et verrous électroniques avec la même source d'alimentation que celle utilisée pour le panneau de contrôle d'accès sous risque de causer des DOMMAGES au CAPXM. Utiliser UNIQUEMENT une alarme anticambriolage ou un système de contrôle d'accès homologué UL pour alimenter les barres antipanique et les gâches électroniques.
- NE PAS raccorder l'alimentation électrique à une prise commutée ou autrement contrôlée par une prise c.a.
- NE PAS raccorder l'alimentation électrique à une prise de 120 V c.a. jusqu'à ce que TOUT le câblage ait été effectué.
- Installer le dispositif de suppression du bruit transitoire (varistance) fourni avec le CAPXM pour les dispositifs alimentés par courant alternatif et une diode pour les dispositifs alimentés par courant continu.
- DÉCONNECTER la source d'alimentation de la prise de 120 V c. c. avant d'enlever ou de fixer le bornier à la carte logique.



1 Se connecter à internet

Le CAPXM peut être connecté à l'internet par une connexion câblée ou par le Wi-Fi® (sans fil). Voir la page 10 pour les exigences internet. S'assurer d'être en mode Admin avant de se connecter à internet. Si vous n'êtes pas en mode Admin, basculer le commutateur DIP no 1 à la position de marche sur la carte logique, appuyer sur l'onglet Réseau sur l'affichage du CAPXM et appuyer sur le bouton « Changer les paramètres du réseau ». Observer les instructions en fonction de votre application.

OPTION 1 Connexion câblée

Le port du réseau local (LAN) est une interface Ethernet 10/100 dotée d'un connecteur RJ45 pour la connexion du CAPXM à un concentrateur, un interrupteur ou un routeur afin d'obtenir une connectivité à internet. Utiliser un câble direct (c.-à-d. pas de câble de relais) Cat5e ou Cat6 pour raccorder ce port à un concentrateur local, un commutateur ou un routeur. On fait référence à ce type de câble comme un câble Ethernet dans ce manuel.

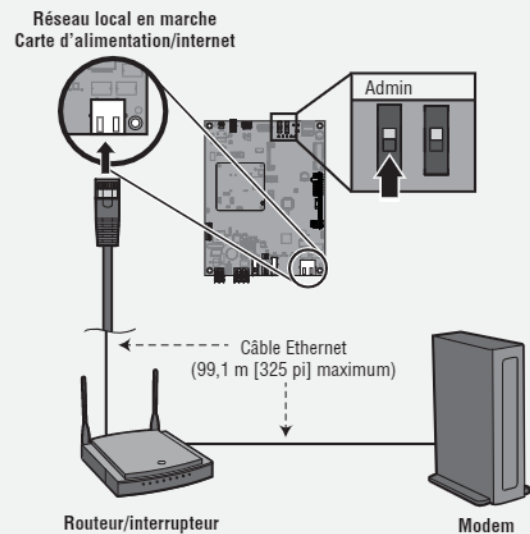
1. Connecter un câble Ethernet à partir du concentrateur, de l'interrupteur ou du routeur au port du réseau local sur la carte logique. Lorsque la connexion est établie de manière appropriée, la DEL verte et la DEL ambre sur le port Ethernet de la carte logique s'allumeront brièvement (la carte logique est située à l'arrière de l'écran d'affichage du CAPXM). Si la DEL verte ne s'allume pas, vérifier les connexions sur le CAPXM et le concentrateur Ethernet.
2. Sur l'écran d'affichage, sélectionner **Wired Network (Réseau câblé)** si la configuration dynamique (DHCP) est désirée ou sélectionner **Manuel Setup (configuration manuelle)** pour une adresse IP statique.

OPTION 2 Connexion à l'aide du Wi-Fi® (sans fil)

1. Sur l'écran d'affichage, sélectionner le **réseau® Wi-Fi**.
2. Sélectionner le réseau que le CAPXM utilisera.
3. Saisir le mot de passe pour le réseau.
4. Sélectionner **Login (Connexion)**.

Considérations de compatibilité supplémentaires :

- Lors de la vérification de la puissance du signal en mode d'administration du CAPXM, nous recommandons au moins deux barres.
- Si deux barres ne sont pas accessibles, replacer le routeur, l'antenne ou utiliser l'accessoire WFAEXT (trousse de rallonge d'antenne Wi-Fi® - 15 pi) pour déplacer l'antenne du CAPXM plus haut ou à un endroit ayant pour résultat un signal indiquant deux barres ou plus.
- Si un outil ou une appli de puissance du signal Wi-Fi® est utilisé, une connexion ayant une puissance de signal Wi-Fi® d'au moins -65 dBm (les nombres plus proches de zéro indiquent un signal plus puissant) au CAPXM doit être garantie pour assurer une connexion acceptable au réseau local.
- Les noms de réseau sans fil cachés ne sont pas pris en charge. Le réseau doit être sélectionnable à partir de l'écran d'affichage du CAPXM.
- Les réseaux Wi-Fi® exigeant une authentification secondaire ne sont pas pris en charge (p. ex. réseaux Wi-Fi® d'hôtels et d'aéroports).



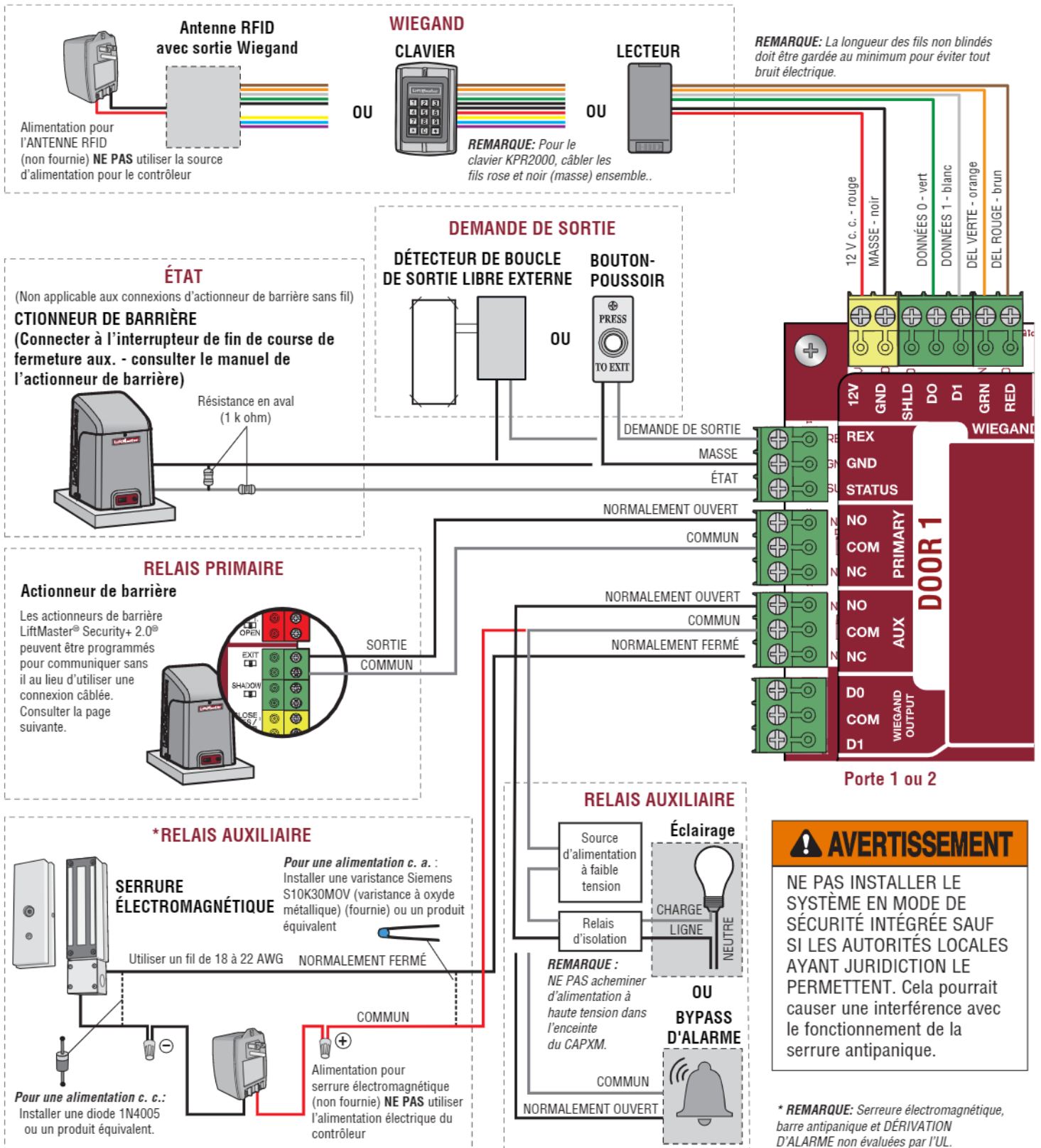
2 Valider les réglages

Sur l'affichage, sélectionner chaque onglet en mode Admin pour valider les réglages (réseau, entrées, sorties, etc.) Après avoir validé les réglages, quitter le mode Admin.



Accès à la barrière (câblé)

Déconnecter l'alimentation AVANT d'effectuer toute connexion électrique. Un exemple de configuration du câblage est fourni ci-dessous pour l'accès à la barrière. L'accès à la barrière peut être câblé à la porte 1 ou 2 sur la carte de porte. Les[®] actionneurs de barrière LiftMaster Security+ 2.0[®] peuvent aussi être programmés pour communiquer sans fil au lieu d'une connexion câblée (voir la page suivante).



Accès à la barrière (sans fil)

Le CAPXM peut communiquer sans fil avec les actionneurs de barrière LiftMaster® UL325 pour envoyer des commandes d'ouverture, surveiller la position de la barrière et envoyer des avis par courriel si une erreur se produit dans l'actionneur (les avis par courriel sont configurés dans myQ® programmation™). Jusqu'à 4 actionneurs de barrière peuvent être jumelés au CAPXM - un pour chaque relais primaire et auxiliaire. Dans le cas de barrières à deux vantaux, programmer le CAPXM à l'actionneur primaire.

REMARQUE : L'utilisation de cette fonction exige la trousse d'antenne Passport facultative.

1 Entrée dans le mode de programmation

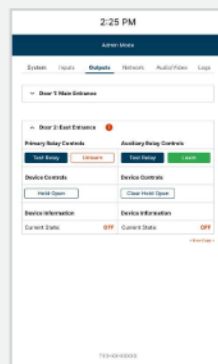
Basculer le commutateur no 1 à la position ON pour passer en mode Admin.

REMARQUE :
Pour les nouvelles installations, appuyer sur le bouton d'ouverture de session sans saisir l'information dans les champs Nom d'utilisateur admin et Mot de passe admin.



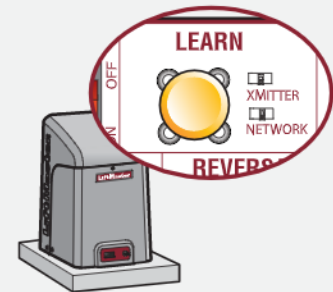
2 Sélectionner Sorties et Relais (Outputs and Relay)

Sélectionner l'onglet **Sorties (Outputs)**. Sélectionner ensuite le relais désiré du côté gauche (1 à 4).



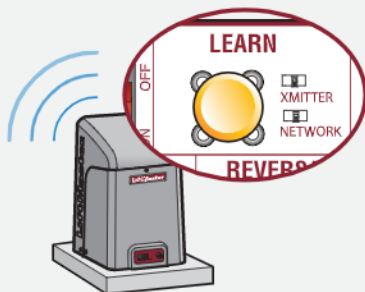
3 Appuyez sur bouton d'apprentissage de l'actionneur de barrière

Enfoncer et relâcher le bouton LEARN (apprentissage) sur l'actionneur primaire. La DEL verte XMITTER (émetteur) s'allume. **REMARQUE :** L'actionneur quittera le mode de programmation après 180 secondes.



4 Appuyer une fois de plus sur le bouton d'apprentissage de l'actionneur de barrière

Enfoncer et relâcher le bouton LEARN (apprentissage) une fois de plus sur l'actionneur primaire. La DEL jaune NETWORK (réseau) s'allume.



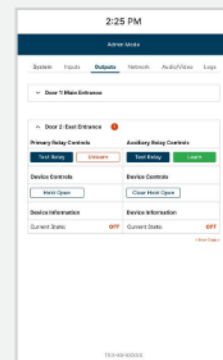
5 Sélectionner ELARN (Apprentissage) sur l'écran d'affichage

Sélectionner le bouton d'apprentissage sur l'écran d'affichage et le bouton passe du bleu au rouge. L'actionneur de barrière et le CAPXM émettront un seul bip, et la DEL RÉSEAU sur l'actionneur de barrière s'éteindra pour indiquer que la programmation a réussi.

REMARQUE : 4 bips/clignotements indiquent que la programmation n'est pas faite à l'actionneur primaire. Retenter la programmation à partir de l'autre actionneur.

6 Validation

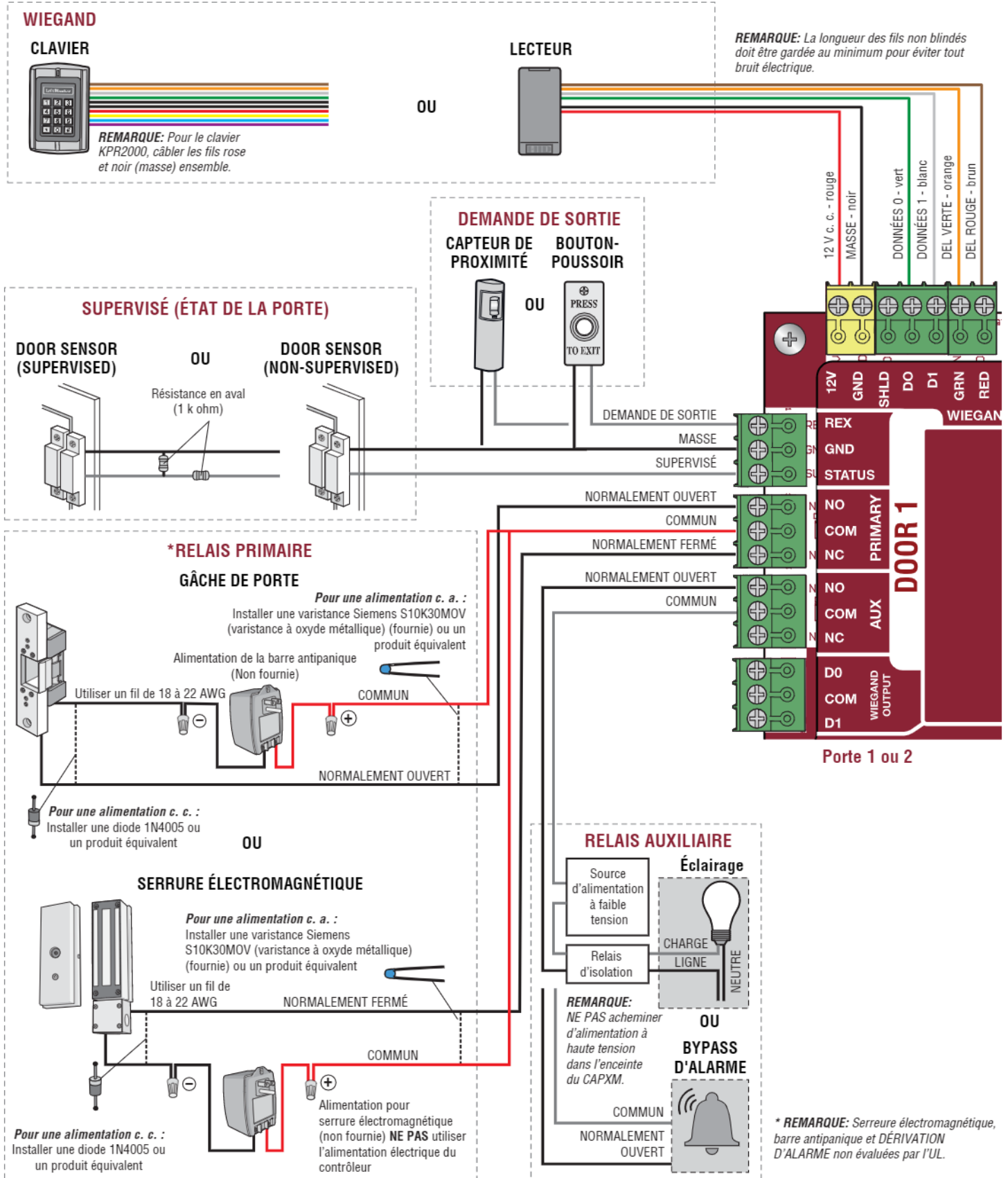
Valider la fonctionnalité en sélectionnant **Test Relay (Tester le relais)** sur l'écran d'affichage du CAPXM.



Aller à myQBusiness.com pour plus d'information sur la façon de configurer les portes pour une mise en lien sans fil.

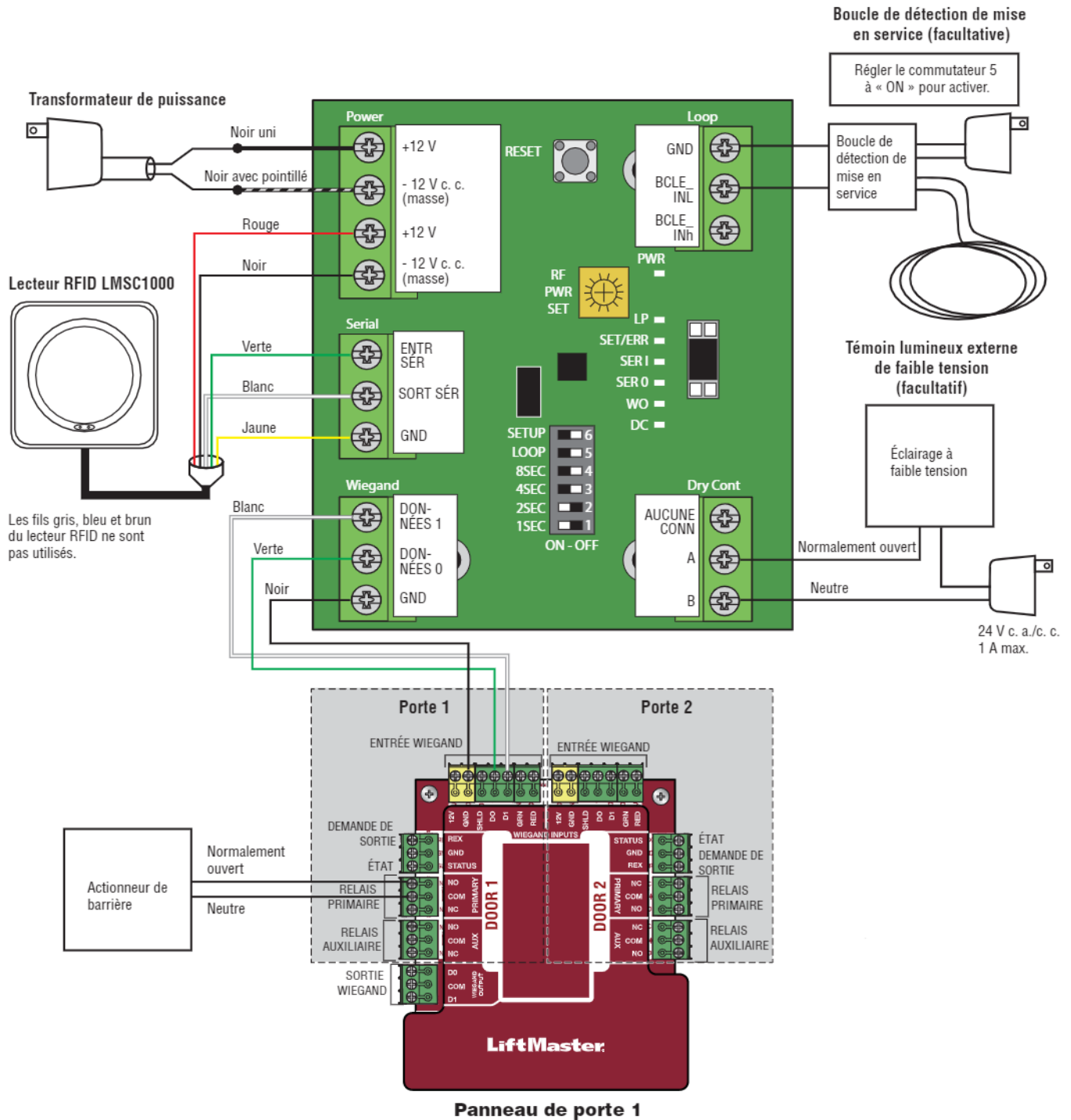
Accès à la porte

Déconnecter l'alimentation AVANT d'effectuer toute connexion électrique. Un exemple de configuration du câblage est fourni ci-dessous pour l'accès à la porte. L'accès à la porte peut être câblé à la porte 1 ou 2 sur la carte de porte.



* REMARQUE: Serrure électromagnétique, barre antipanique et DÉRIVATION D'ALARME non évaluées par l'UL.

Schéma de câblage du lecteur RFID LMSC1000 de LiftMaster



Sortie Wiegand

Déconnecter l'alimentation **AVANT** d'effectuer toute connexion électrique. Le CAPXM offre une sortie Wiegand capable d'une transmission de 26 bits des données suivantes :

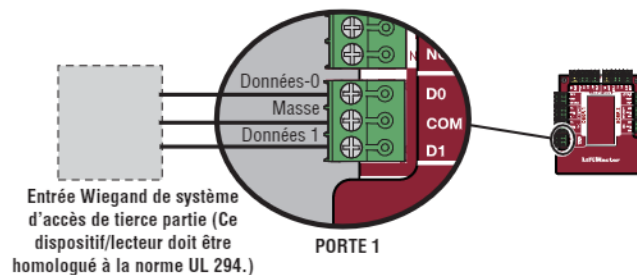
- Appel réussi avec accès accordé par le résident. Le CAPXM fournira un code d'installation myQ® Business™ précisé suivi du code de répertoire du résident ayant accordé l'accès.

et/ou

- Accès réussi par code d'entrée. Le CAPXM fournira un installation d'installation myQ® Business™ précisé suivi du code d'entrée réussi.

ET/OU

- Accès réussi avec identifiant Wiegand. Le CAPXM transmet le code à identifiant et l'ID de l'installation.



Verrou postal

1. Enlever l'écrou à oreilles et le bouchon. Jeter l'écrou à oreilles et le bouchon.
2. Enlever les 4 écrous de montage des goujons.
3. Installer la serrure pour service postal avec les 4 écrous.
4. Couper le serre-fils installé en usine de l'interrupteur de serrure pour service des postes.
5. L'interrupteur de serrure pour service des postes est câblé en usine.

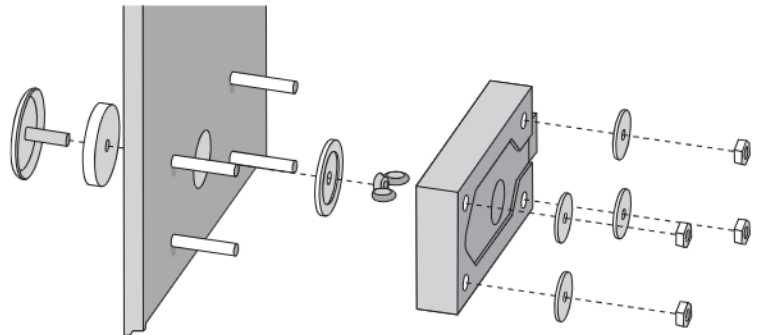
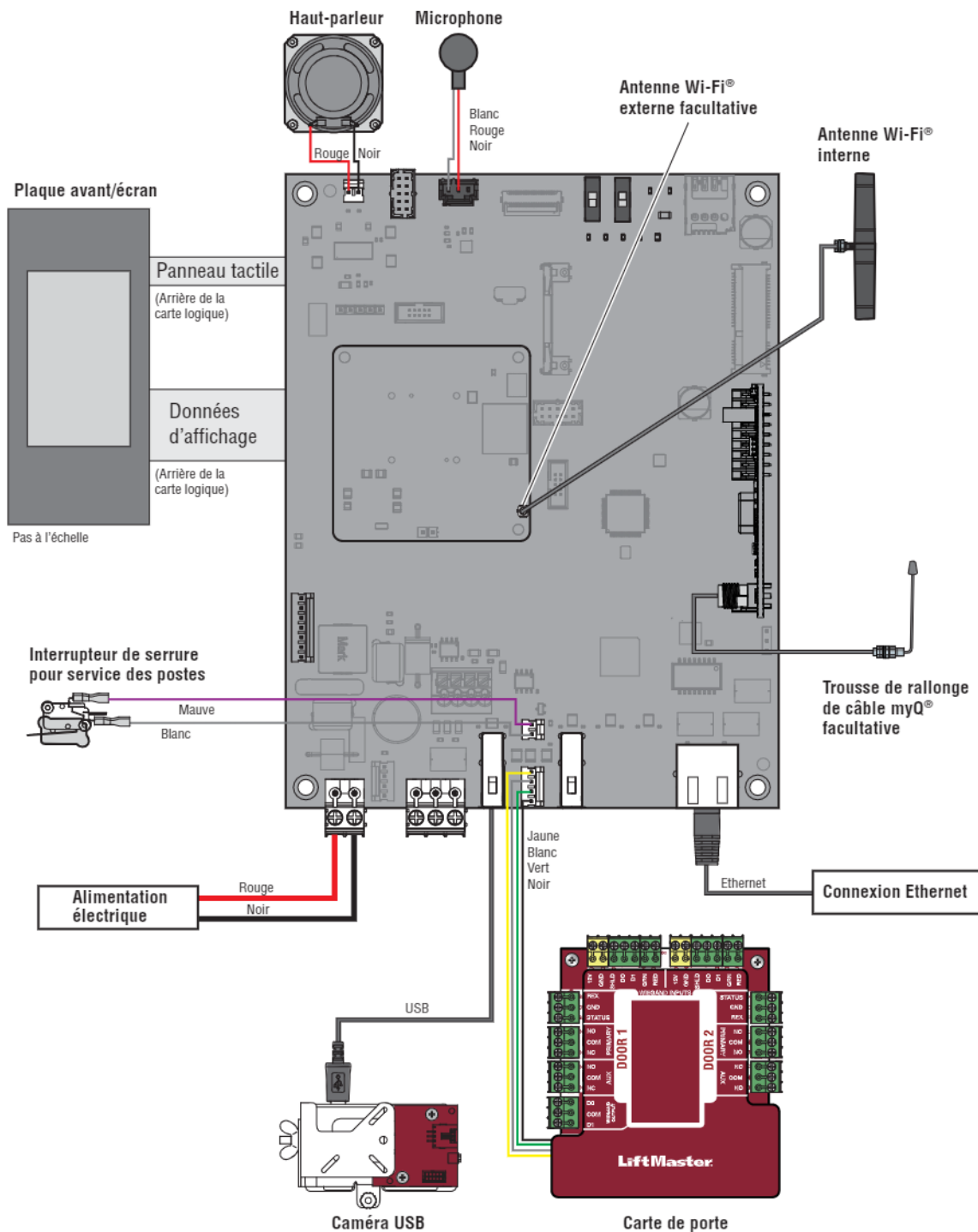


Schéma de câblage

ATTENTION

Non responsable des conflits entre l'information indiquée dans le schéma de câblage et les exigences des codes du bâtiment de votre région. Cette information est fournie UNIQUEMENT à titre de suggestion. Consulter les codes de votre région AVANT l'installation.



Pièces de réparation

ARTICLE	NUMÉRO DE PIÈCE
Trousse de caméra et serrure	K41-0215-000
Panneau avant avec trousse d'écran d'affichage, CAPXM	K41-0216-000
Carte logique, CAPXM	K41-0217-000
Trousse de microphone, CAPXM	K41-0223-000
Interrupteur de serrure pour service des postes, CAPXM	K41-0219-000
Ensemble de boîtier arrière, CAPXM	K41-0220-000
Trousse de câblage, CAPXM	K41-0221-000
Trousse de haut-parleur, CAPXM	K41-0222-000
Trousse d'alimentation électrique	K41-0227-000
Carte de porte et couvercles	K001D8478
Trousse de caméra USB	CAPXLCAM

Accessoires

ARTICLE	NUMÉRO DE PIÈCE
Lecteur multiclasse SE RP10 Mini Mullion	LMMC-MINI
Trousse d'antenne Wi-Fi®	K76-38957
Trousse d'antenne radio	K76-38958
Rallonge d'antenne radio (4,5 m ou 15 pi)	86LM
Wi-Fi® Rallonge d'antenne (4,5 m ou 15 pi)	WFAEXT
Wi-Fi®/ Bluetooth® Antenne externe	WFBTEXT
Antenne ESARM	XMANTKIT
Lecteur interne de proximité	XMRDRKIT
Clavier Wiegand/lecteur de proximité	KPR2000*
Portail d'accès connecté pour 2 portes	CAP2D
Modem cellulaire 4G/LTE avec Wi-Fi®	CAPCELL
Tous les les actionneurs de barrièreLiftmaster® myQ®/UL325 compatibles	
Télécommande MAX à trois boutons pour pare-soleil Passport	PPV3M
Mini-télécommande Control MAX à trois boutons Passport	PPK3M
Mini-télécommande de proximité Control MAX à trois boutons Passport	PPK3PHM
Télécommande à un bouton pour pare-soleil Passport Lite	PPLV1-X**
Télécommande à un bouton de porte-clés Passport Lite	PPLK1-X**
Mini-télécommande de proximité à 1 bouton Passport Lite	PPLK1PH-X**
Lecteur RFID de longue portée	LMSC1000
Étiquette universelle RFID (pare-brise/phare)	LMUNTG
Étiquette à fil RFID du véhicule	LMHNTG

* KPR2000 n'est pas homologué UL à la norme UL 294. Il ne peut être utilisé comme moyen primaire de donner ou de refuser l'accès, seulement comme utilisation complémentaire.

** Offert en paquets de 10 et 100, remplacer X par 10 ou 100

REMARQUE : Une liste courant des lecteurs et claviers compatibles est maintenue par LiftMaster.com. Si le modèle de votre lecteur ou clavier particulier ne figure pas sur le site Web de LiftMaster, communiquer avec l'assistance technique LiftMaster pour déterminer la compatibilité.

Feuille de configuration

Noter l'information sur le dispositif et les paramètres de configuration ci-dessous.

Nom du CAPXM :

REMARQUE : Tout utilisateur de ce système est soumis aux conditions décrites dans l'accord d'utilisation du produit.

Remarques :

CONFIGURATION DU DISPOSITIF :

PORTE 1	NOM DE LA PORTE/BARRIÈRE :		
ENTRÉES	WIEGAND	DEMANDE DE SORTIE (REX)	ÉTAT
			AVAL (O/N)
SORTIES	RELAIS PRIMAIRE		RELAIS AUXILIAIRE
	N.O.	N. F. (normalement fermé)	N.O. N.F.
Remarques :			

PORTE 2	NOM DE LA PORTE/BARRIÈRE :		
ENTRÉES	WIEGAND	DEMANDE DE SORTIE (REX)	ÉTAT
			AVAL (O/N)
SORTIES	RELAIS PRIMAIRE		RELAIS AUXILIAIRE
	N.O.	N. F. (normalement fermé)	N.O. N.F.
Remarques :			

Avis de non-responsabilité

Canada - Conformité à Underwriters Laboratories

Le CAPXM doit être installé conformément à la partie 1 du Code canadien de l'électricité.

Déni de responsabilité et restrictions concernant la documentation

L'information contenue dans ce document peut être modifiée sans préavis et ne constitue pas un engagement de la part de LiftMaster. Pour les prix courants les plus récents, aller à LiftMaster.com.

Ce document et les données fournies aux présentes ne doivent pas être copiés, utilisés ou divulgués à d'autres personnes à des fins d'approvisionnement ou de fabrication, sauf en cas de permission écrite de la part de LiftMaster. L'information contenue dans ce document ou au sein du produit lui-même est considérée comme la propriété exclusive de LiftMaster. Toute information, dans ce document ou dans le matériel et les produits logiciels eux-mêmes, est protégée par droit d'auteur et/ou d'autres lois des États-Unis sur la propriété intellectuelle.

Endurance de l'unité de contrôle d'accès UL 294 : Niveau 3, sécurité de ligne : Niveau 1, attaque destructrice : Niveau 1, alimentation de secours : Niveau 1

AVERTISSEMENT : Cet appareil est conforme aux dispositions de la partie 15 du règlement de la FCC et de l'exemption de licence des appareils radio d'Innovation, Sciences et Développement économique Canada. L'utilisation est assujettie aux deux conditions suivantes : (1) ce dispositif ne peut causer de brouillage nuisible, et (2) ce dispositif doit accepter tout brouillage reçu, y compris tout brouillage pouvant causer un fonctionnement indésirable. Tout changement ou modification non expressément approuvés par la partie responsable de la conformité pourrait annuler l'autorité de l'utilisateur d'utiliser l'équipement.

Cet appareil doit être installé de manière à laisser une distance d'au moins 20 cm (8 po) entre celui-ci et l'utilisateur ou toute personne.

Cet appareil a été testé et déclaré conforme aux limites d'un dispositif numérique de Classe B, conformément à la partie 15 du règlement de la FCC et de la norme NMB d'Innovation, Sciences et Développement économique Canada. Ces limites ont pour but de fournir une protection raisonnable contre le brouillage nuisible dans une installation résidentielle. Cet équipement génère, utilise et peut émettre des fréquences radio et, s'il n'est pas installé et utilisé conformément aux instructions, peut causer un brouillage nuisible aux communications radio.

Cependant, rien ne garantit l'absence de brouillage dans une installation particulière. Si cet équipement cause un brouillage nuisible à la réception radio ou de télévision, ce qui peut être déterminé en éteignant l'équipement et en le rallumant, l'utilisateur est invité à tenter de corriger le brouillage par l'un des moyens suivants :

- Réorienter ou relocaliser l'antenne de réception.
- Augmenter la distance entre l'équipement et le récepteur.
- Connecter l'équipement dans une prise de courant sur un circuit différent de celui auquel le récepteur est branché.
- Pour obtenir de l'aide, consulter le détaillant ou un technicien radio chevronné.

AVIS : Lors du montage du CAPXM à une entrée pour piétons, monter le dessus de l'écran du CAPXM à une hauteur ne dépassant pas 137 cm (54 po) du sol afin d'assurer la conformité à l'ADA.

REMARQUE : Lors de l'installation du CAPXM, consulter la réglementation locale concernant les exigences particulières comme une signalisation physique obligatoire.

Garantie

LiftMaster garantit à l'acheteur initial de ce produit pour la structure dans laquelle ce produit est originalement installé, que le produit est exempt de tout défaut matériel ou de fabrication pour une période de deux (2) ans à compter de la date d'achat.

Le bon fonctionnement de ce produit dépend de la conformité de l'utilisateur aux instructions relatives à l'installation, au fonctionnement, à l'entretien et aux mises à l'essai. Tout défaut de se conformer strictement à ces instructions annulera la présente garantie limitée dans son intégralité.

Si, au cours de la période de garantie limitée, ce produit semble présenter un défaut couvert par la présente garantie limitée, appeler le 1 800 528 9131 sans frais, avant de démonter le produit. Envoyer ensuite le produit, en port payé et assuré, à notre centre de service pour que la réparation soit couverte par la garantie. Les produits retournés au vendeur pour une réparation couverte sous garantie qui, après réception par le vendeur, sont déclarés défectueux et couverts par la présente garantie limitée, seront remplacés (à la discrétion du vendeur) sans frais et retournés port payé. Les pièces défectueuses seront réparées ou remplacées par des pièces neuves ou réusinées, à la seule discrétion du vendeur.

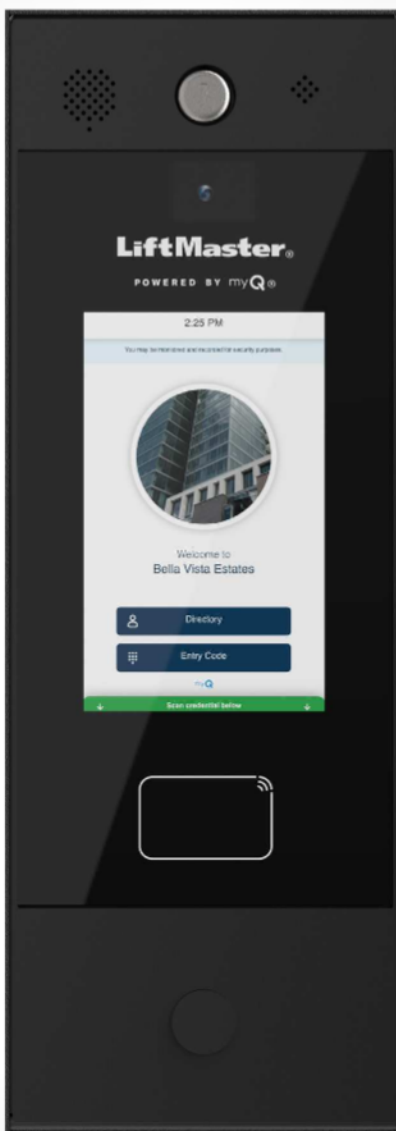
LA PRÉSENTE GARANTIE LIMITÉE REMPLACE TOUTE AUTRE GARANTIE, EXPRESSE OU IMPLICITE, NOTAMMENT TOUTE GARANTIE IMPLICITE DE QUALITÉ MARCHANDE OU D'ADAPTATION À UN BUT PARTICULIER, OU AUTRE, ET TOUTE AUTRE OBLIGATION OU RESPONSABILITÉ DE LA PART DU VENDEUR. LA PRÉSENTE GARANTIE LIMITÉE NE COUVRE PAS LES DOMMAGES QUI NE SONT PAS DUS À UN DÉFAUT, CEUX CAUSÉS PAR UNE MAUVAISE INSTALLATION, UNE UTILISATION OU UN ENTRETIEN INADÉQUAT (INCLUANT, NOTAMMENT, LES AVARIES DUES À UN MAUVAIS TRAITEMENT, UN USAGE NON APPROPRIÉ, L'ABSENCE D'ENTRETIEN RAISONNABLE ET NÉCESSAIRE, DES RÉPARATIONS NON AUTORISÉES OU TOUTE MODIFICATION À CE PRODUIT), LES FRAIS DE MAIN-D'ŒUVRE POUR LA RÉINSTALLATION D'UNE UNITÉ RÉPARÉE OU REMPLACÉE, OU LE REMPLACEMENT DES BATTERIES.

LE VENDEUR NE SERA EN AUCUN CAS TENU RESPONSABLE DES DOMMAGES-INTÉRÊTS PARTICULIERS OU INDIRECTS RÉSULTANT DE L'UTILISATION OU DE L'INAPTITUDE À UTILISER CE PRODUIT CORRECTEMENT. EN AUCUN CAS, LA RESPONSABILITÉ DU VENDEUR POUR RUPTURE DE GARANTIE, RUPTURE DE CONTRAT, NÉGLIGENCE OU RESPONSABILITÉ ABSOLUE NE DÉPASSERA LE COÛT DU PRODUIT COUVERT AUX PRÉSENTES. NUL N'EST AUTORISÉ À ASSUMER POUR NOUS D'AUTRES RESPONSABILITÉS RELATIVEMENT À LA VENTE DE CE PRODUIT.

Certains États et provinces n'acceptant pas l'exclusion ou les restrictions relatives aux dommages immatériels, accessoires ou dommages-intérêts particuliers, les restrictions ou exclusions figurant dans la présente garantie pourraient ne pas s'appliquer à l'acheteur. Cette garantie limitée confère à l'acheteur certains droits particuliers et celui-ci pourrait avoir d'autres droits qui varient selon l'État ou la province dans lequel ou laquelle il réside.

myQ® Business™
Smart Video Intercom M
MANUAL DE INSTALACIÓN

Modelo CAPXM



LiftMaster®

Seguridad

Revisión de los símbolos de seguridad y palabras clave

Estas advertencias y/o símbolos de seguridad que aparecen a lo largo de este manual le alertarán de la existencia de riesgo de una lesión seria o de muerte si no se siguen las advertencias correspondientes. El peligro puede ser eléctrico (electrocución) o mecánico. Lea detenidamente estas advertencias.

Cuando vea esta palabra de advertencia en las páginas siguientes, se le alertará sobre la posibilidad de dañar la puerta o el operador de la puerta si no sigue las precauciones correspondientes. Lea las instrucciones con mucho cuidado.

ADVERTENCIA

MECÁNICA

ADVERTENCIA

ELÉCTRICO

PRECAUCIÓN

ADVERTENCIA

Para reducir el riesgo de LESIONES GRAVES o la MUERTE:

- Desconecte la alimentación eléctrica en la caja de fusibles ANTES de continuar.
- Para EVITAR dañar las tuberías de gas, energía u otros servicios subterráneos, póngase en contacto con las empresas de servicios ANTES de realizar una excavación.
- TODAS las conexiones eléctricas DEBEN ser realizadas por una persona calificada.
- TODO el cableado de alimentación eléctrica y de control se DEBE instalar en conductos separados.
- TODO el cableado de alimentación eléctrica debe estar en un circuito dedicado y bien protegido. La ubicación de la desconexión de alimentación eléctrica debe ser visible y estar claramente etiquetada.
- El CAPXM se debe instalar en conformidad con el Código Eléctrico Nacional y todos los códigos locales.

Para proteger contra incendios y electrocución:

- Desconecte la alimentación ANTES de instalar o realizar el mantenimiento del CAPXM.
- NUNCA conecte un teclado/lector o seguro a las puertas sin antes consultar el código de incendios aplicable.
- ANTES de instalar seguros o dispositivos en CUALQUIER puerta que pudiera ser una salida de emergencia DEBE consultar a los bomberos locales y obtener su aprobación.
- El uso de pulsadores para puertas de salida puede no ser legal. Es posible que se requieran salidas de una sola acción.
- Obtenga SIEMPRE las aprobaciones y los permisos adecuados por escrito ANTES de instalar un equipo.

ADVERTENCIA

NO INSTALE EL SISTEMA EN EL MODO A PRUEBA DE FALLOS A MENOS QUE LA AUTORIDAD COMPETENTE LO PERMITA. De hacerlo, puede causar interferencia con el funcionamiento de la barra antipánico.



ADVERTENCIA: Este producto puede exponerle a productos químicos (incluido el plomo), que a consideración del estado de California causan cáncer, defectos congénitos u otros daños reproductivos. Para obtener más información, visite www.P65Warnings.ca.gov.

INTRODUCCIÓN

Descripción general del CAPXM.....	4
Descripción general del tablero de control.....	5
Descripción general del tablero de la puerta.....	6
Contenido de la caja.....	7
Herramientas necesarias.....	7
Dimensiones.....	8
Especificaciones del sistema.....	8
Especificaciones del cable.....	9
Requerimientos de Internet.....	10

1

PREINSTALACIÓN

Configurar una cuenta myQ® Business™.....	11
---	----



2

INSTALACIÓN

Retirar los troqueles.....	12
Instalar el CAPXM.....	13
Instalar la conexión a tierra.....	14
Conecte la alimentación eléctrica.....	15

3

RED

Conecte Internet.....	16
Validar configuración.....	16

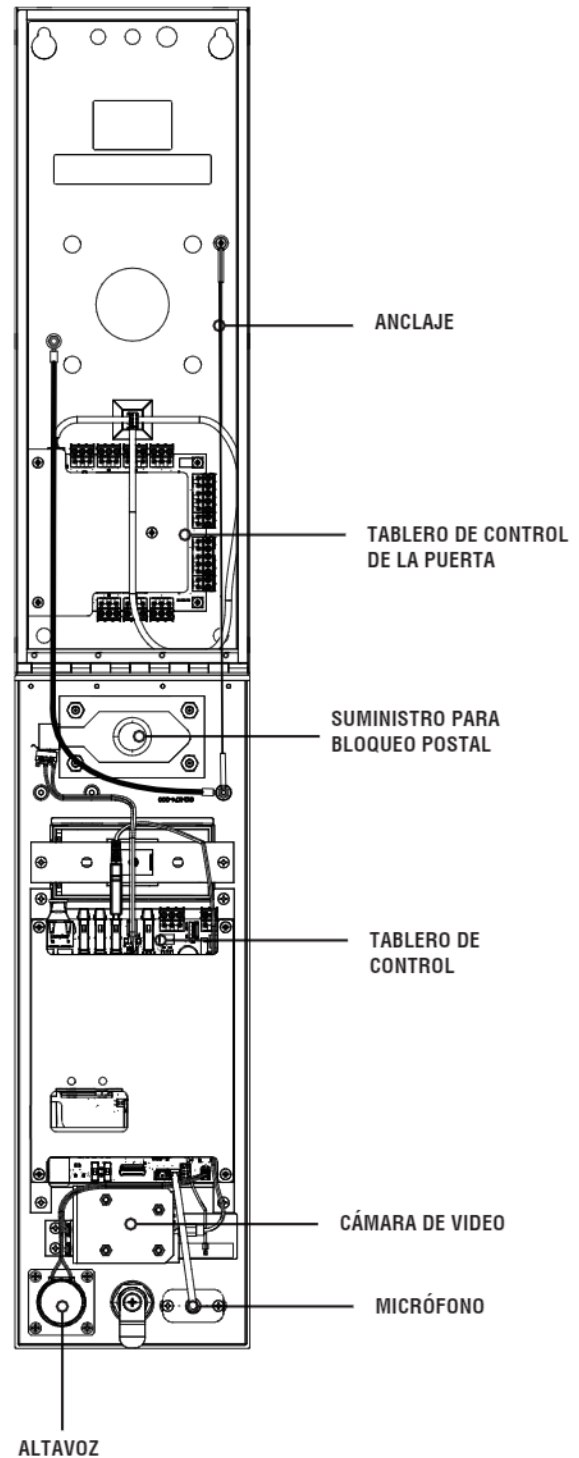
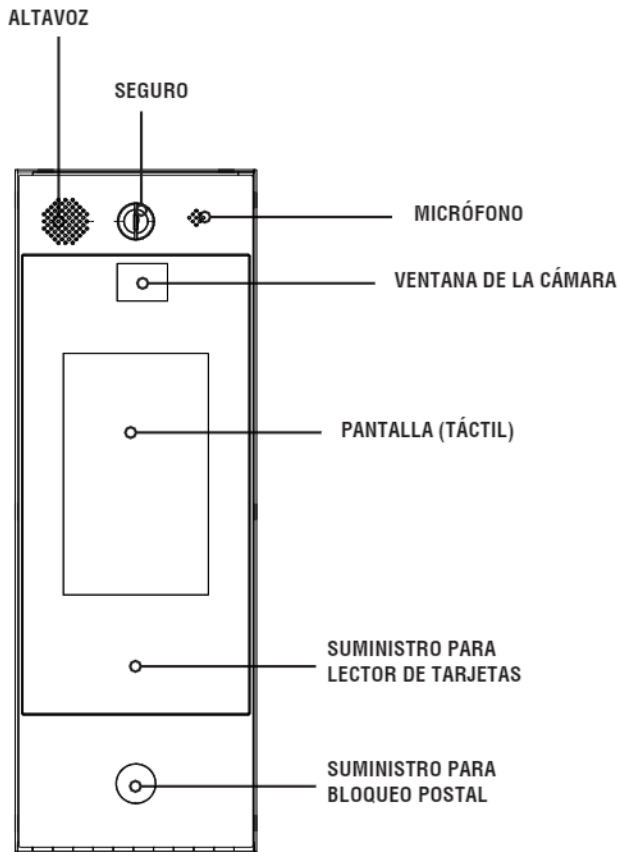
4

CONTROL DE ACCESO

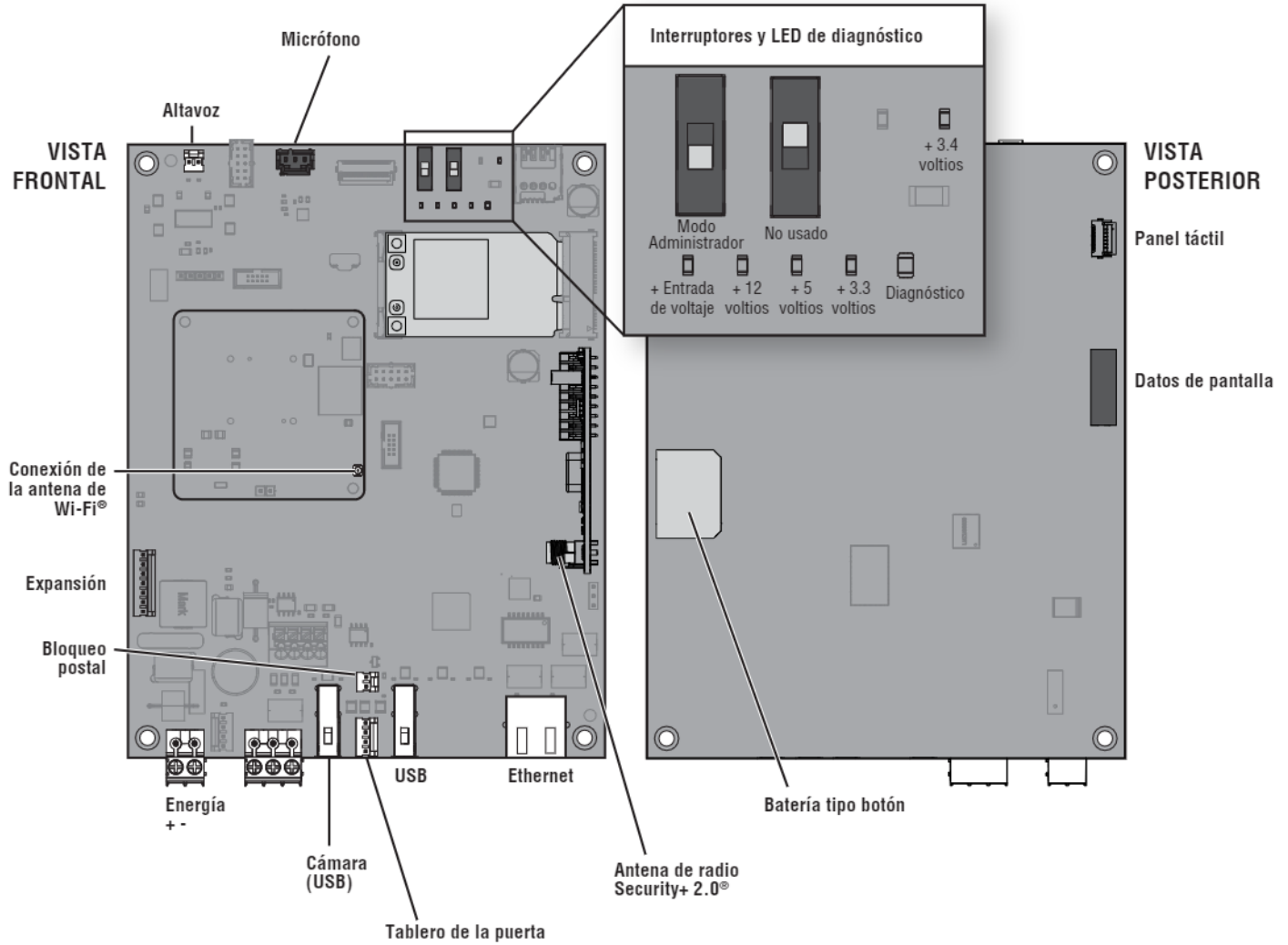
Acceso de portón (cableado).....	17
Acceso de portón (inalámbrico).....	18
Acceso de puerta.....	19
Lector de identificación por radiofrecuencia (RFID)....	20
Salida Wiegand.....	21
Bloqueo postal.....	21
Diagramas de cableado.....	22
Piezas de repuesto.....	23
Accesorios.....	23
Hoja de configuración.....	24
Exención de responsabilidad.....	25
Garantía.....	26

Descripción general del CAPXM

El Smart Video Intercom M (Modelo CAPXM) es una solución de control de acceso con base en la nube que incluye una cámara de video integrada que permite funciones de video avanzadas.



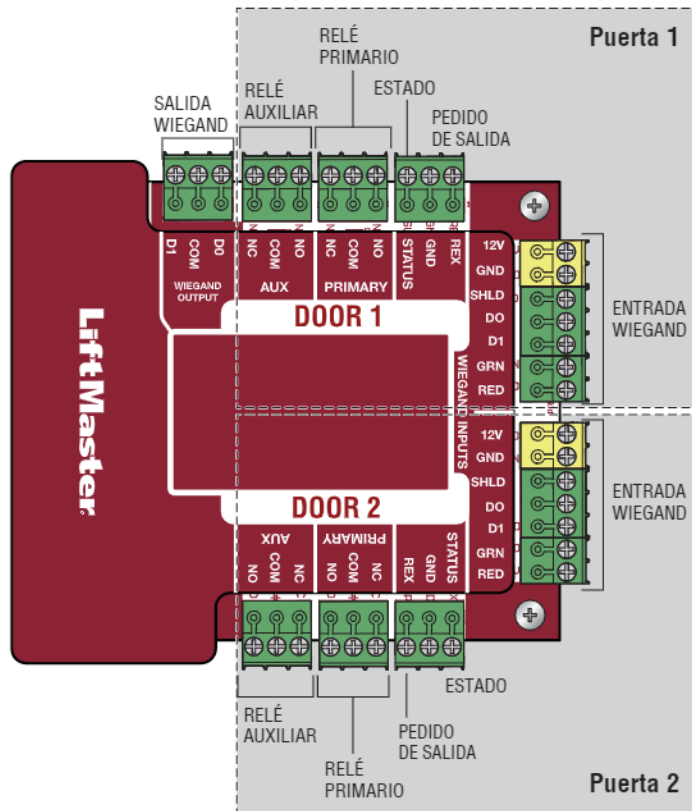
Descripción general del tablero de control



Descripción general de la tarjeta de la puerta

El CAPXM posee una combinación de entradas/salidas del control de acceso en Los tableros de puerta que funcionan en conjunto para controlar hasta 2 puntos de acceso.

TARJETA DE LA PUERTA 1

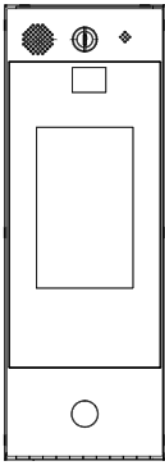


Consulte la página 17 para ver el diagrama de cableado.

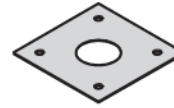
ENTRADA/SALIDA	SE UTILIZA PARA
Salida de relé 1	Operadores de portón, cerraduras de puerta, seguros magnéticos, luces (para control únicamente – la energía será proporcionada por el suministro externo, puente de alarma)
Salida de relé 2	
Salida Wiegand 1	Estándar de 26 bits, Wiegand de 30 bits, HID de 37 bits con código de instalación, Transcore de 37 bits, MiFare de 32 bits
Salida Wiegand 2	
Entrada supervisada 1	Sensor de puerta cerrada (EOL (fin de línea) supervisada o no supervisada) sensor de portón con límite cierre (EOL supervisada o no supervisada), sensor de portón con límite de apertura (EOL supervisada o no supervisada)
Entrada supervisada 2	

NOTA: Solo el protocolo Wiegand de 26 bits es compatible con las instalaciones UL.

Inventario de la caja



Alimentación de energía



Junta de cuello curvo

S10K30MOV
(Varistor de óxido metálico) (4)

Llaves PK625 (2)



Juego de diodos 1N4005 (4)

SE INCLUYE (NO SE MUESTRA)

- Manual de instalación

Herramientas necesarias

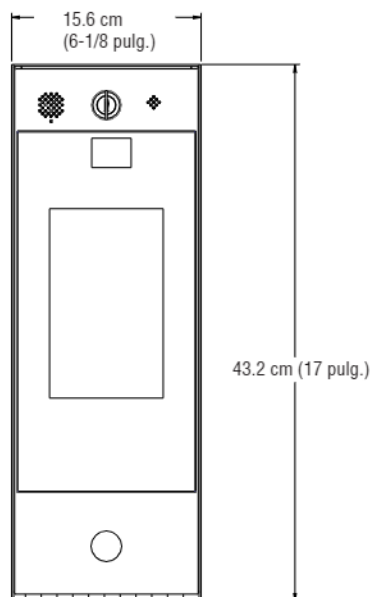
- Destornillador Phillips PH2
- Destornillador Phillips de precisión de 1/8" plano o PH0
- Llave de tuerca de 1/4"
- Taladro/atornillador
- 7/64" Broca
- Puntas de taladro martillo para taladro/atornillador
- Pinza engarzadora para conectores RJ45
- Multímetro
- Cinta de medir
- Curvadora de conductos
- Escariador/avellanador de conductos
- Sierra para metales
- Herramienta de punzón
- Martillo

Otras herramientas recomendadas

- Probador de cable de red LAN
- Aplicación Wi-Fi Analyzer (aplicación para teléfono inteligente)
- Analizador de Redes de Software
- Computadora con puerto Ethernet
- Cable de empalme Ethernet

Dimensiones

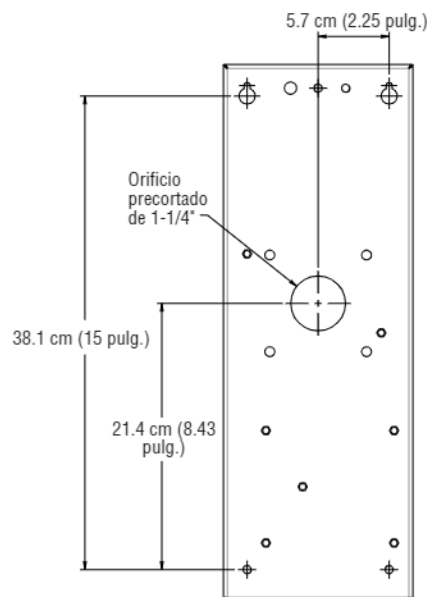
VISTA FRONTAL



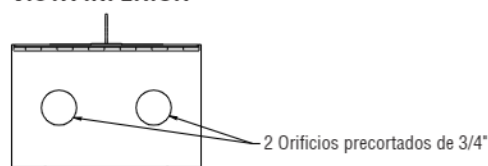
VISTA LATERAL



VISTA POSTERIOR



VISTA INFERIOR



Especificaciones

Capacidad del CAPXM	Capacidad para 50,000 residentes/Historial de 50,000 eventos locales
Voltaje de suministro	24 VCC, 60 W (mínimo), salida de clase 2, eficiencia de nivel VI (alimentación eléctrica de 120 VCA, 60 Hz, 2A)
Corriente de servicio	0.75 A (típica) a 24VDC, 3 A Máx. a 15 VDC
Supresión de sobretensión	EFT: Electricidad de línea de 2 kV, ESD: 15 kV HBM / 8 kV directo / 200 V MM
Rango de temperatura de servicio del CAPXM	De -29 °C a 54 °C (de -20 °F a 130 °F)
Gabinete	Acero al carbono y aluminio
Rango de temperatura de almacenamiento y envío	De -40 °C a 60 °C (de -40 °F a 140 °F)
Entradas Wiegand (2)	Mifare de 26 bits, *30 bits, *32 bits, *37 bits con y sin código de las instalaciones, y ASCII (para teclados). Salida de alimentación de 12 VCC, 250 mA (por salida)
2 Salidas de relé principales y 2 auxiliares	SPDT, Carga nominal de 3 A 30 VCC (cada una)
Compatibilidad de los accesorios	Consulte la página de accesorios para saber cuáles son los accesorios compatibles.
Compatibilidad de la red	Ethernet 10/100
Compatibilidad Wi-Fi®	802.11b/g/n a 2.4 Ghz
Seguridad Wi-Fi®	El CAPXM es compatible con los routers que usan los siguientes protocolos de seguridad: WPA3 Personal y WPA2 Personal (AES).
Alcance de Wi-Fi®	Hasta 76.2 m (250 pies), Aire libre/línea de visión hasta el frente del panel (el alcance varía según las obstrucciones)
Receptor Passport incorporado de LiftMaster	Security+ 2.0®
Comunicación inalámbrica con el operador de portón	Hasta 228.6 m (750 pies), aire libre/línea de visión (el alcance varía según las obstrucciones), compatible con operadores de portón Security+ 2.0® de LiftMaster, Operadores de portón 2018 de LiftMaster (con firmware v4.4 y posteriores), Operadores HD (con firmware v3.3 o posteriores). No compatible con operadores de portón con barrera LiftMaster.
Video cámara CAPXM	1080 p, ángulo de visualización - 135 grados en diagonal, hasta 1000 eventos de video temporales de 30 segundos en almacenamiento local

***NOTA:** Solo el protocolo Wiegand de 26 bits es compatible con las instalaciones UL. Los alcances inalámbricos y de Wi-Fi® no fueron evaluados por UL.

Especificaciones del cable

Use este cuadro para tender los cables en la preparación de su instalación. Consulte los códigos de construcción locales y nacionales antes de realizar la instalación.

DESCRIPCIÓN DEL TENDIDO DE CABLES	ESPECIFICACIONES DEL CABLE	DISTANCIA DE DESPLAZAMIENTO MÁXIMO
Cable de potencia, salida secundaria de CC	2 Conductores 14 AWG	Hasta 91.4 m (300 pies)
	2 Conductores 16 AWG	Hasta 60.9 m (200 pies)
	2 Conductores 18 AWG	Hasta 30.4 m (100 pies)
Red de área local (LAN) Cable de red CAT 5e o superior.	8 Conductores, 24 AWG de par trenzado	100 m* (328 pies)
Conexión a tierra del chasis (use la lengüeta de puesta a tierra en el CAPXM)	12 AWG de cobre	3.7 m (12 pies)
Cerradura de la puerta	2 Conductores de 18-22 AWG blindado	100 - 250 30.5 - 76.2 m (pies)
Bloqueo magnético	2 Conductores de 18-22 AWG	50 -125 15.2 - 38.1 m (pies)
Cierre de contacto seco (la mayoría de los operadores de portón)	2 Conductores de 18-24 AWG blindado	500 - 2500 152.4 - 762 m (pies)
Pedido de salida (REX)	2 Conductores de 18-24 AWG	500 152.4 m (pies)
Entrada supervisada	2 Conductores de 18-24 AWG	500 152.4 m (pies)
Lectores Wiegand/de proximidad	7 Conductores de 18-22 AWG blindado	500 152.4 m (pies)

NOTA: El cableado de alimentación eléctrica y de control se DEBE instalar en conductos separados. Los conductos deben estar aprobados por UL para alto y bajo voltaje. Consulte los requisitos de cableado adicionales de NEC.

La categoría 5e de cableado es la categoría de desempeño mínimo recomendada.

El cableado deberá cumplir el Código Eléctrico Nacional (ANSI/NFPA 70), los códigos locales y las autoridades que tienen jurisdicción. Siempre suministre la energía desde una fuente dedicada. Enchufe el transformador que se suministra en un tomacorriente conectado a su propio interruptor automático de 10 amperios. Esto evitará dos problemas:

- Otros equipos no podrán introducir picos de tensión, ruido, sobretensión o caídas en el circuito de energía que afecten al sistema.
- La operación del sistema no estará afectada si cualquier otro equipo genera un cortocircuito a lo largo de la línea eléctrica.

*** NOTAS DEL CABLE DE RED CATEGORÍA 5/6:**

- Para las distancias exteriores que superen los 42.7 m (140 pies), se DEBE instalar en el CAPXM un protector de sobretensión primario que cumpla la norma UL497.
- Las distancias que superen los 100 m (328 pies) se pueden adaptar con herrajes adicionales (disponibles a través de terceros).

Requerimientos de Internet

Cuando seleccione un router, utilice la información siguiente para garantizar la compatibilidad.

MODELO: CAPXM - Smart Video Intercom M

El CAPXM se puede conectar a un router mediante una conexión cableada o a través de Wi-Fi. LiftMaster recomienda una velocidad mínima de carga/descarga de 5 Mbps para cada feed de cámara de video compatible con CAPXM.

NOTA: Esta velocidad de carga debe cumplirse si se considera el uso de otros dispositivos en la red, como cámaras y computadoras.

EL CAPXM ES COMPATIBLE CON LOS ROUTERS QUE USAN LOS SIGUIENTES Wi-Fi PROTOCOLOS DE COMUNICACIÓN:

- 802.11b
- 802.11g
- 802.11n a 2.4 GHz

COMPATIBILIDAD DE SEGURIDAD DEL WI-FI CON EL CAPXM

- WPA3 personal
- WPA2 Personal (AES)

OTRAS CONSIDERACIONES DE COMPATIBILIDAD:

- NO use dispositivos amplificadores de Wi-Fi. Estos pueden introducir latencia en la conexión, lo que conduce a una transmisión de video entrecortada o poco confiable.
- Si usa una herramienta o aplicación de intensidad de señal Wi-Fi, debe garantizarse una conexión con una intensidad de señal de por lo menos -65 DBM (los números más cercanos a cero son los de intensidad más fuerte) en el CAPXM para asegurar una conexión aceptable a la red local.
- Las SSID de red ocultas no son compatibles. La red debe poder seleccionarse desde la pantalla del CAPXM.
- Las redes de Wi-Fi que requieren autenticación secundaria no son compatibles (p. ej., Wi-Fi de hoteles y aeropuertos).
- Al comprobar la potencia de la señal en modo administrador del CAPXM, recomendamos por lo menos dos barras, tal como se muestra en la pantalla del CAPXM.
- Si no tiene dos barras, reubique el router o la antena, o use el accesorio WFAEXT (juego de extensión de antena de Wi-Fi de 4.6 m [15 pies]) para mover la antena del CAPXM más arriba o a una ubicación donde detecte dos o más barras de señal.

Los servicios siguientes son necesarios para que el CAPXM funcione plenamente

Configurar una cuenta myQ® Business™



NOTA: Si tiene una cuenta myQ® existente, su cuenta myQ® Business™ tendrá la misma contraseña. Visite: myQBusiness.com e inicie sesión.

1. Si no tiene una cuenta myQ® Business™, llame al Centro de Atención al Cliente de LiftMaster al 800.323.2276 para activar una cuenta myQ® Business™.
Prepárese para revisar la información requerida en la [Encuesta de preparación para la instalación](#):
2. Recibirá un correo de bienvenida de LiftMaster. Acepte la invitación y regístrese o inicie sesión en su cuenta.
3. Configure la instalación, seleccione un plan de suscripción, agregue residentes y credenciales (consulte la Ayuda disponible en myQ® Business™).
4. Continúe con la instalación del CAPXM en este manual.

Para solicitar soporte, llame al 800.528.2806 o visite <https://support.partner.liftmaster.com/s/community-access-support>



NOTA: Para la función de llamada se requiere una cuenta SIP. LiftMaster® solo admite Phone.com para las funciones de videollamada y no puede garantizar ni admitir compatibilidad con un tercero proveedor de SIP para las llamadas de voz.

1 Retirar los orificios ciegos

1. Prepare la superficie de trabajo colocando un trapo u otro material protector.
2. Coloque el CAPXM boca abajo sobre el material protector.
3. Identifique qué orificios ciegos se deben retirar de acuerdo a su aplicación.
4. Use una herramienta de punzón para retirar los troqueles desde el exterior de la caja hacia adentro usando un punzón de tamaño adecuado y un martillo. **NOTA:** Al quitar los orificios precortados, intente no dañar los componentes del CAPXM.

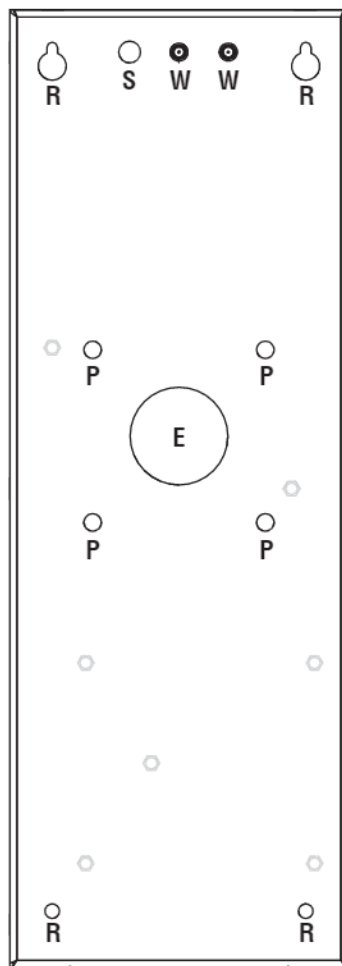
⚠ PRECAUCIÓN

Para prevenir daños al CAPXM causados por la humedad o el agua:

- NO realice la instalación durante un día de lluvia. Los componentes internos se DEBEN mantener alejados del agua y la humedad.
- ANTES de abrir la cubierta frontal del CAPXM, retire el agua acumulada en la parte superior de este.

Para evitar daños a CUALQUIER componente interno:

- NO intente eliminar los orificios ciegos con un martillo. Golpear los orificios ciegos puede ocasionar una descarga en el tablero de circuitos, que puede generar un daño permanente.



E = Cableado eléctrico

P = Montaje en pedestal

R = Montaje empotrado / en superficie

S = Security+ 2.0[®] Antena de radio

W = Antena Wi-Fi[®]

2 Instale el CAPXM

1. Sujete la junta de cuello curvo (que se incluye) si el montaje se realizará sobre un cuello curvo.
2. Monte el CAPXM de manera segura sobre una superficie plana o un pedestal con los herrajes adecuados (1/4 pulg.) Y teniendo cuidado de pasar los cables por los orificios precortados. Se recomienda usar herrajes de acero inoxidable para montar el CAPXM. El uso de herrajes chapados en zinc o galvanizados puede generar corrosión galvánica.

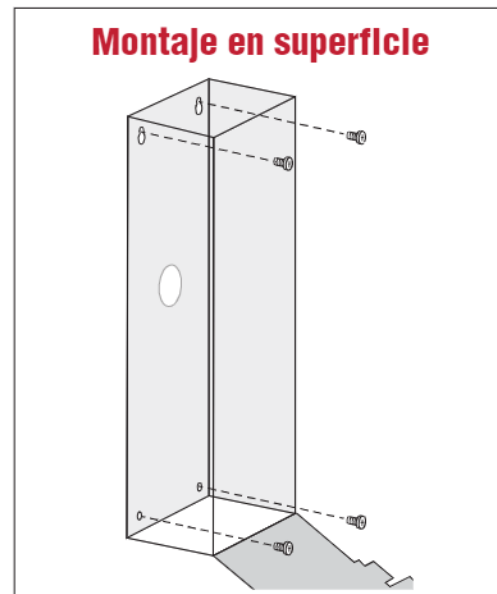
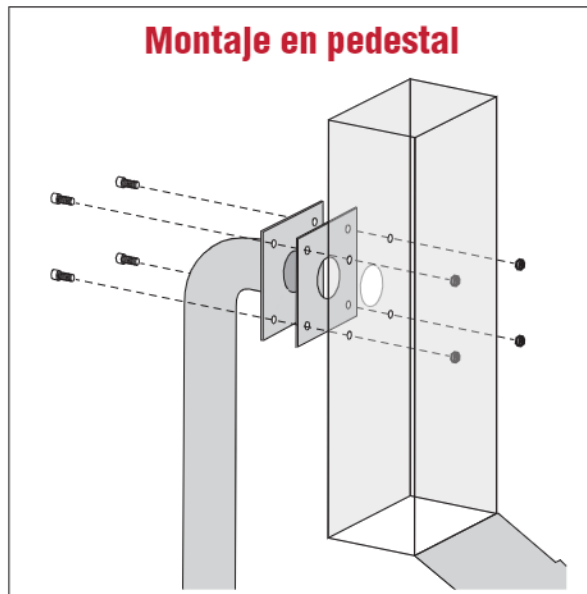
NOTAS:

-Asegúrese de que la cubierta se pueda abrir completamente para permitir el acceso después de terminar la instalación. Deje 3.175 mm (1/8 de pulg.) de espacio entre la parte inferior del CAPXM y la pared, si hace un montaje empotrado del CAPXM sin el juego adaptador.

-Cumplimiento de la ley ADA: Al montar el CAPXM en una entrada peatonal, instale la parte superior de la pantalla del CAPXM a una distancia que no supere las 54 pulgadas del suelo a fin de cumplir la ley ADA.

HACER

Asegúrese de que el CAPXM esté adecuadamente sellado para evitar daños debido a la humedad.

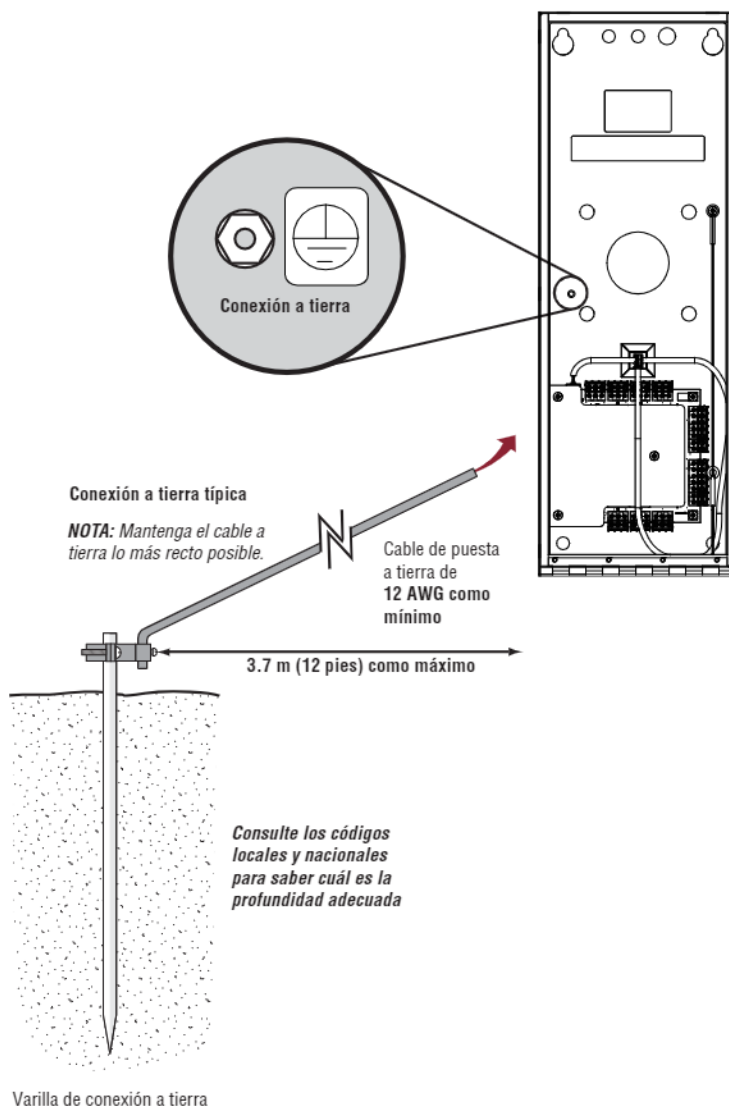


3 Instalar la conexión a tierra

IMPORTANTE: Se recomienda firmemente instalar una varilla a tierra que no deberá superar los 3.7 m (12 pies) del CAPXM y usar un cable de calibre 12 en la mayoría de los casos. El tipo y la longitud de la varilla a tierra varían según la región. Comuníquese con la AHJ (la autoridad que tiene jurisdicción) en la municipalidad donde planea instalar el CAPXM para conocer cuáles son los materiales de conexión a tierra y los procedimientos de instalación correctos. Una conexión a tierra adecuada es fundamental para minimizar el riesgo de que el CAPXM se dañe debido a condiciones eléctricas transitorias.

1. Conecte el cable a tierra (calibre 12 o más grande) a la conexión a tierra del CAPXM.
2. Pase el cable desde el CAPXM hasta una varilla a tierra adecuada.

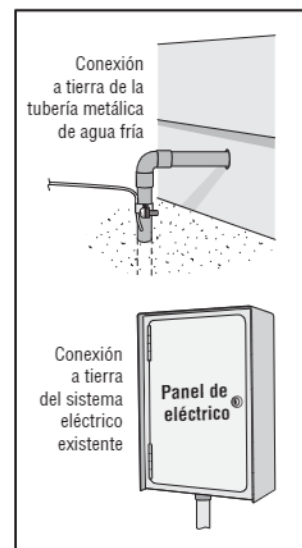
NOTA: Las conexiones blindadas en los tableros no se deben conectar a tierra.



⚠ PRECAUCIÓN

Para EVITAR dañar las tuberías de gas, energía u otros servicios subterráneos, póngase en contacto con las empresas de servicios ANTES de realizar una excavación.

Otras posibles puestas a tierra a 3.66 m (12 pies) o menos del panel de control



4 Conecte la alimentación eléctrica

El tomacorriente para el CAPXM DEBE ser un tomacorriente de 120 Vca dedicado externo. Consulte la tabla siguiente para conocer las distancias máximas del tendido de cable. Este tomacorriente debe estar conectado a su propio interruptor automático de 10 amperios.

ESPECIFICACIONES DEL CABLE	DISTANCIA DE DESPLAZAMIENTO MÁXIMO
14 AWG	Hasta 91.4 m (300 pies)
16 AWG	Hasta 60.9 m (200 pies)
18 AWG	Hasta 30.4 m (100 pies)

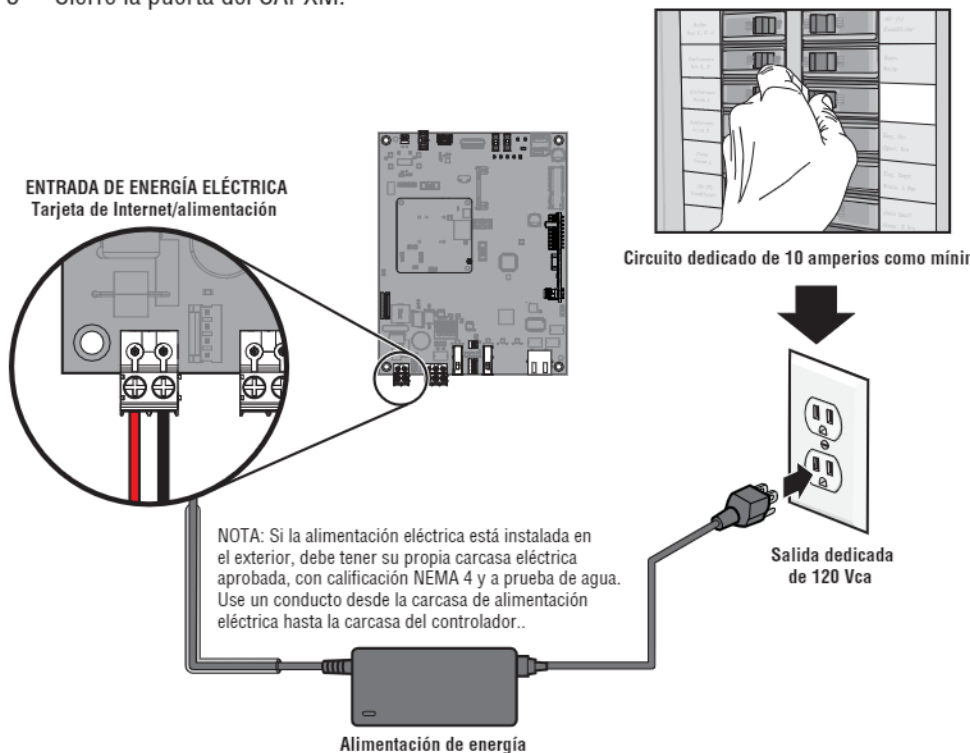
1. Conecte un cable de 14 a 18 AWG a los cables pelados de salida secundaria de CC en el suministro eléctrico. El negro es negativo y el rojo es positivo.
2. Retire el bloque de terminales PWR INPUT del tablero de control.
3. Conecte los cables de la alimentación eléctrica al bloque de terminales PWR INPUT (rojo a +24 V y negro a GND). Vuelva a conectar el bloque de terminales al tablero de control.
4. Una vez que haya realizado todas las conexiones, enchufe la alimentación eléctrica a un tomacorriente de 120 Vca.

NOTA: El LED verde del tablero de la puerta parpadeará y los LED verde del tablero de control se iluminarán sin parpadear cuando esta se encienda. El CAPXM mostrará el logotipo de LiftMaster al arrancar. Una vez que el arranque se haya completado, aparecerá la interfaz de usuario.

- 5 Cierre la puerta del CAPXM.

⚠ PRECAUCIÓN

- NO use NINGÚN suministro de energía distinto del que se suministra con su CAPXM.
- NO alimente cerraduras o cerrojos electrónicos con el mismo suministro de energía que usa para alimentar el panel de control de acceso; de hacerlo, ocasionará DAÑOS al CAPXM. Use ÚNICAMENTE una alarma antirrobo o un sistema de control de acceso certificados por las normas UL para alimentar las cerraduras o los pestillos electrónicos.
- NO conecte el suministro de energía a un tomacorriente conmutado o a un tomacorriente de CA controlado.
- NO conecte el suministro de energía a la salida de 120 Vca hasta que haya completado TODO el cableado.
- Instale el dispositivo de supresión de ruidos transitorio (MOV) que se suministra con el CAPXM para los dispositivos con alimentación de CA y el diodo para los dispositivos con alimentación de CC.
- DESCONECTE el suministro de energía del tomacorriente de 120 Vca antes de retirar o colocar el bloque de terminales en el tablero de control.



1 Conecte Internet

El CAPXM puede conectarse a Internet mediante una conexión cableada o Wi-Fi® (conexión inalámbrica). Vea la página 10 para conocer los requisitos de Internet. Asegúrese de estar en Modo Administrador antes de conectarse a Internet. Si no está en Modo Administrador, cambie el interruptor DIP N.º 1 a la posición Encendido en el tablero de control, presione la pestaña de Red en la pantalla del CAPXM y presione el botón “Cambiar configuración de red”. Siga las instrucciones de acuerdo a su aplicación.

OPCIÓN 1 Conexión de cableado

El puerto de la Red de Área Local (LAN) es una interfaz Ethernet 10/100 con un conector RJ45 para conectar el CAPXM a un concentrador, interruptor o router para tener conectividad a Internet. Use un cable recto (es decir, no cruzado) Cat5e o Cat6 para realizar la conexión a un concentrador, interruptor o router local. En este manual, este tipo de cable se denomina cable Ethernet.

1. Conecte un cable Ethernet desde el concentrador, interruptor o router al puerto LAN en el tablero de control. Cuando se realiza la conexión de manera adecuada, los LED verde y ámbar en el puerto Ethernet del tablero de control se encienden/parpadean (el tablero de control está ubicado en la parte trasera de la pantalla del CAPXM). Si el LED verde no se enciende, revise las conexiones en el CAPXM y el concentrador Ethernet.

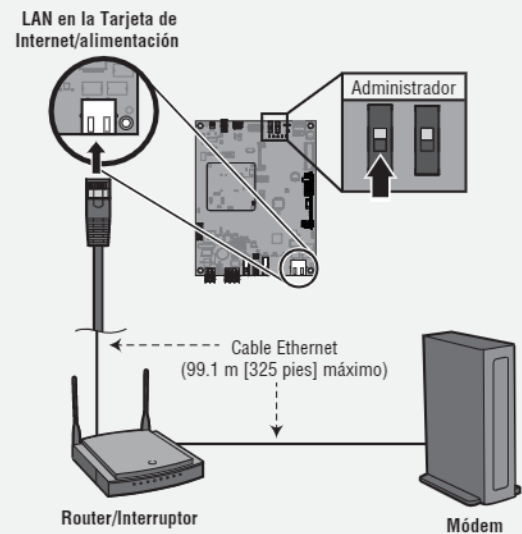
2. En la pantalla, seleccione **Red cableada** si desea una configuración dinámica (DHCP) o seleccione **Configuración manual** para una dirección de IP estática.

OPCIÓN 2 Conexión a través de Wi-Fi® (conexión inalámbrica)

1. En la pantalla, seleccione **Wi-Fi® Red**.
2. Seleccione la red que usará el CAPXM.
3. Ingrese la contraseña de la red.
4. Seleccione “Login” (Iniciar sesión).

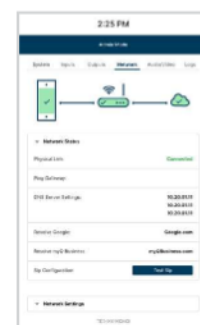
Otras consideraciones de compatibilidad:

- Al comprobar la potencia de la señal en modo de administrador del CAPXM, recomendamos por lo menos dos barras.
- Si no tiene dos barras, reubique el router o la antena, o use el accesorio WFAEXT (juego de extensión de antena de Wi-Fi® de 4.6 m [15 pies])¹ para mover la antena del CAPXM más arriba o a una ubicación donde detecte dos o más barras de señal.
- Si usa una herramienta o aplicación de intensidad de señal Wi-Fi, debe garantizarse una conexión con una intensidad de señal de por lo menos -65 dBm (los números más cercanos a cero son los de intensidad más fuerte) en el CAPXM para asegurar una conexión aceptable a la red local.
- Las SSID de red ocultas no son compatibles. La red debe poder seleccionarse desde la pantalla del CAPXM.
- Las redes de Wi-Fi® que requieren autenticación secundaria no son compatibles (p. ej., Wi-Fi® de hoteles y aeropuertos).



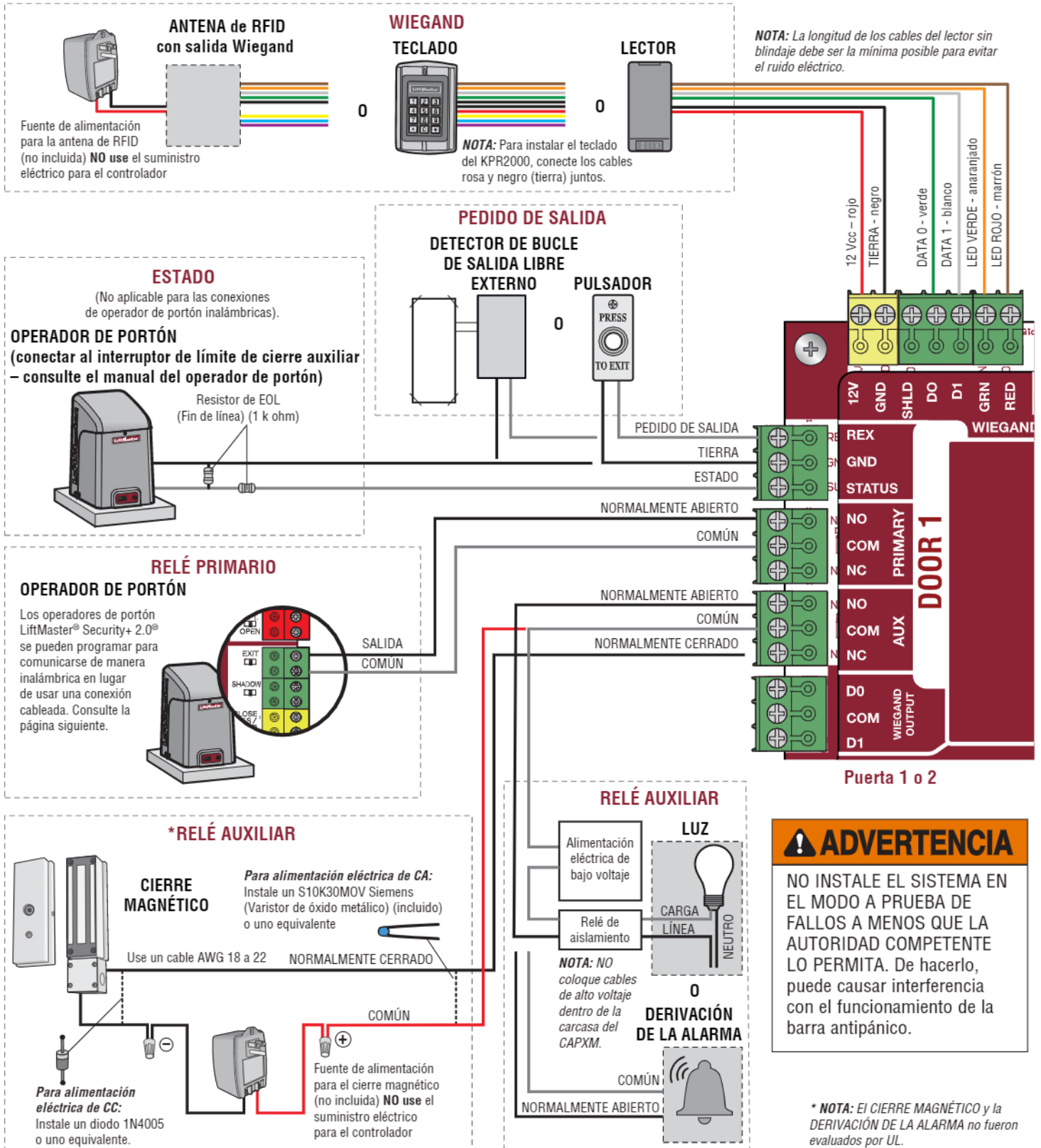
2 Validar configuración

En la pantalla, seleccione cada pestaña en el Modo Administrador para validar la configuración (red, entradas, salidas, etc.). Una vez que haya validado la configuración, salga del Modo Administrador.



Acceso de portón (cableado)

Desconecte la alimentación ANTES de realizar las conexiones eléctricas. A continuación encontrará un ejemplo de una configuración de cableado para el acceso de portón. El acceso de portón se puede conectar por cable a la puerta 1 o 2 en el tablero de puerta. Productos Security+ 2.0® Los operadores de portón también se pueden programar para comunicarse de manera inalámbrica en lugar de usar una conexión cableada (consulte la página siguiente).



Acceso de portón (inalámbrico)

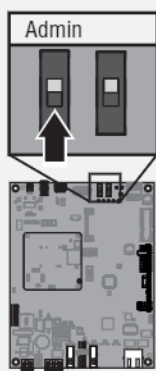
El CAPXM puede comunicarse de manera inalámbrica con los operadores de portón LiftMaster® que cumplen el estándar UL325 para enviar comandos de apertura, monitorear la posición del portón y enviar notificaciones de correo electrónico si ocurre un error en el operador (las notificaciones de correo electrónico se configuran en myQ® Business™). Hasta 4 operadores de portón se pueden asociar al CAPXM, uno por cada relé primario y auxiliar. Si usa portones dobles, programe el CAPXM al operador primario.

NOTA: El uso de esta función requiere el juego de antena opcional Passport.

1 Entre en Modo Administrador

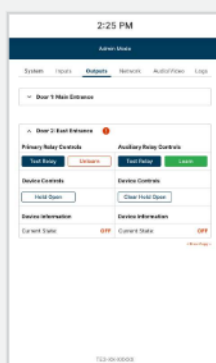
Cambie el interruptor DIP N.º 1 a la posición Encendido para ingresar al Modo Administrador.

NOTA: En el caso de las instalaciones nuevas, presione el botón de inicio de sesión sin ingresar información en los campos "Admin Username" (Nombre de usuario del administrador) y "Admin Password" (Contraseña del administrador).



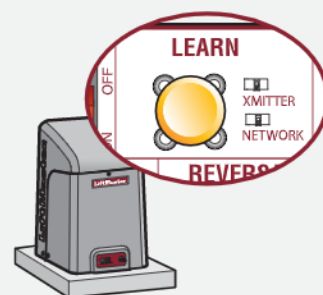
2 Seleccione las salidas y el relé

Seleccione la lengüeta **Salidas**. Luego seleccione el relé deseado a la izquierda (1 al 4).



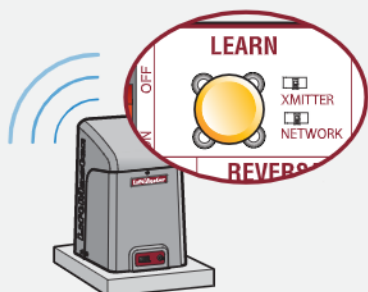
3 Presione el botón de APRENDIZAJE en el operador de portón

Presione y suelte el botón de APRENDIZAJE en el operador primario. Se encenderá el LED XMITTER verde. **NOTA:** El modo de programación del operador expirará después de 180 segundos.



4 Vuelva a presionar el botón de APRENDIZAJE en el operador de portón

Vuelva a presionar y soltar el botón de APRENDIZAJE en el operador primario. Se encenderá el LED NETWORK amarillo.



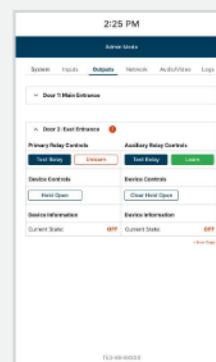
5 Seleccione APRENDIZAJE en la pantalla

Seleccione el botón de APRENDIZAJE en la pantalla y el botón pasará de azul a rojo. Tanto el operador de portón como el CAPXM emitirán una señal sonora y el LED de la RED en el operador de portón se apagará para indicar que la programación tuvo éxito.

NOTA: 4 Señales sonoras/parpadeos indican que el operador primario no se ha programado. Vuelva a intentar realizar la programación desde otro operador.

6 Validación

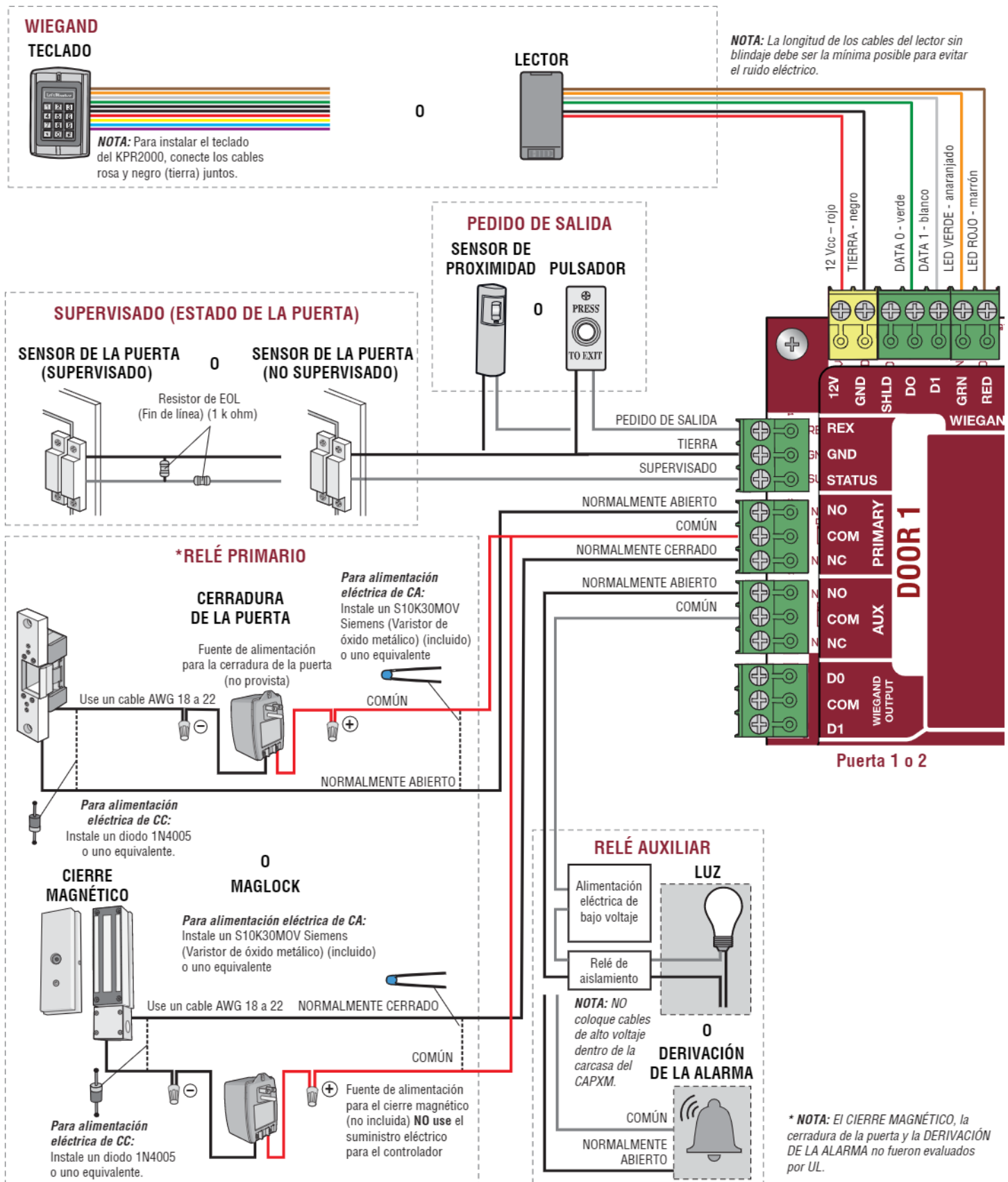
Valide la funcionalidad seleccionando "Test Relay" (Probar relé) en la pantalla del CAPXM.



Visite myQBusiness.com para obtener más información sobre cómo configurar las puertas para un enlace inalámbrico.

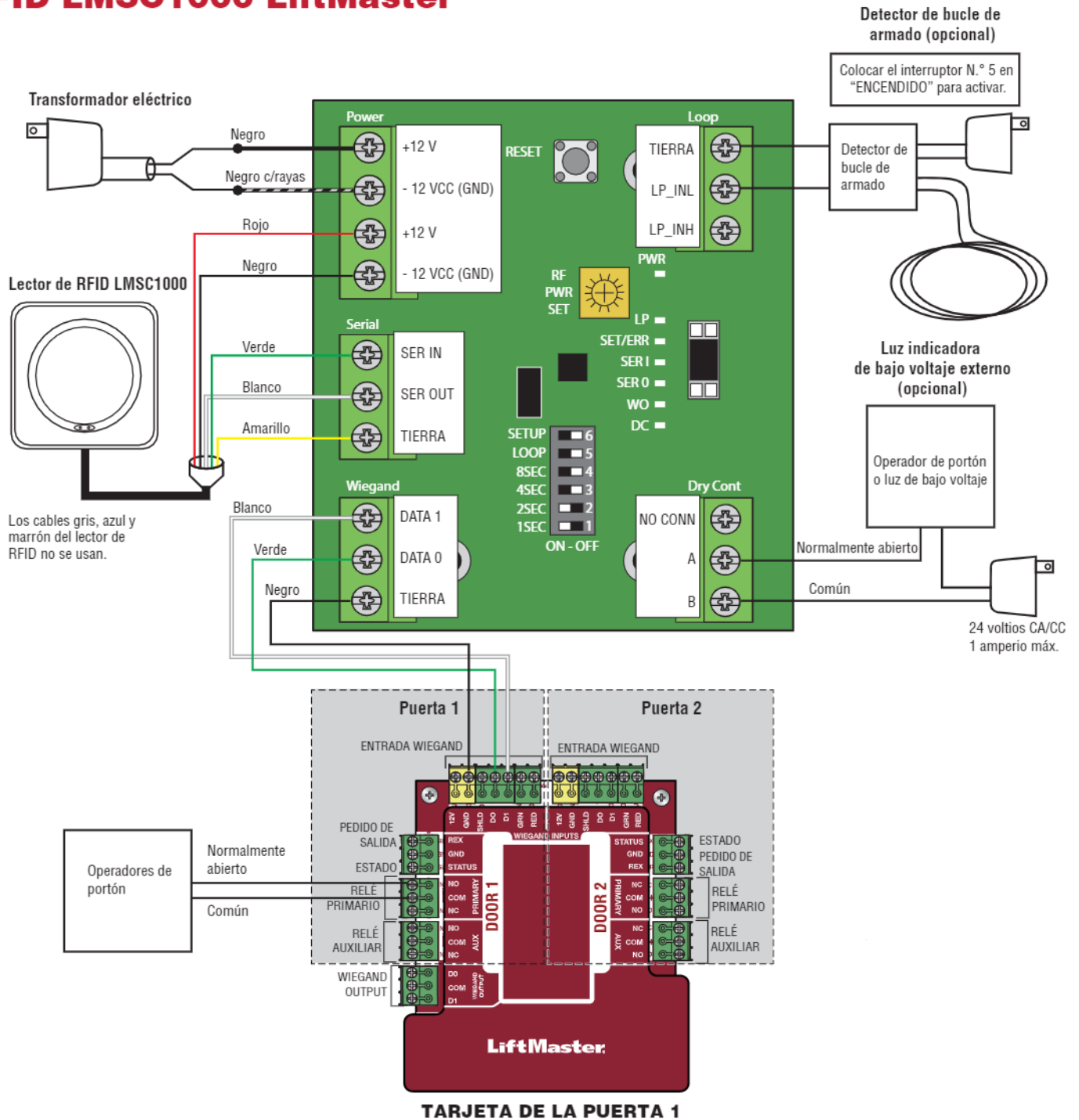
Acceso de puerta

Desconecte la alimentación ANTES de realizar las conexiones eléctricas. A continuación encontrará un ejemplo de una configuración de cableado para el acceso de puerta. El acceso de puerta se puede conectar por cable a la puerta 1 o 2 en el tablero de puerta.



* **NOTA:** El CIERRE MAGNÉTICO, la cerradura de la puerta y la DERIVACIÓN DE LA ALARMA no fueron evaluados por UL.

Diagrama de cableado del lector de RFID LMSC1000 LiftMaster



Salida Wiegand

Desconecte la alimentación **ANTES** de realizar las conexiones eléctricas. El CAPXM ofrece una salida Wiegand con una capacidad de transmisión de 26 bits de los siguientes datos:

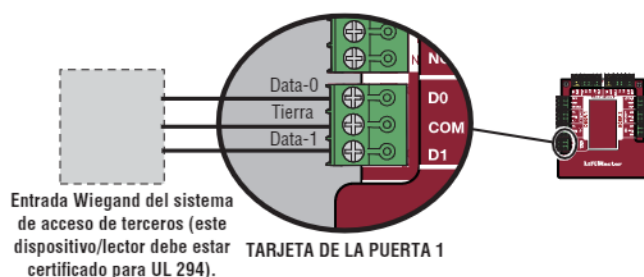
- Llamada exitosa con acceso otorgado por el residente. El CAPXM proporcionará un myQ® Business™ código de instalación especificado por myQ seguido por el código de directorio del residente que otorgó el acceso.

Y/o

- Acceso exitoso mediante el código de ingreso. El CAPXM proporcionará Videos de myQ® Business™ seguido por el código de ingreso exitoso.

Y/o

- Acceso exitoso con una credencial Wiegand. El CAPXM divulgará el código de instalación con credencial exitosa y la identificación.



Bloqueo postal

1. Retire la tuerca de mariposa y enchufe. Deseche la tuerca de mariposa y enchufe.
2. Retire las 4 tuercas de montaje de los montantes.
3. Instale el bloqueo postal usando las 4 tuercas.
4. Corte el amarre de cable instalado de fábrica del interruptor de bloqueo postal.
5. El interruptor de bloqueo postal viene cableado de fábrica.

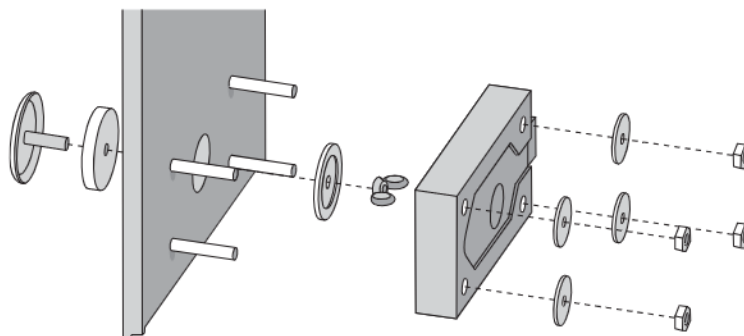
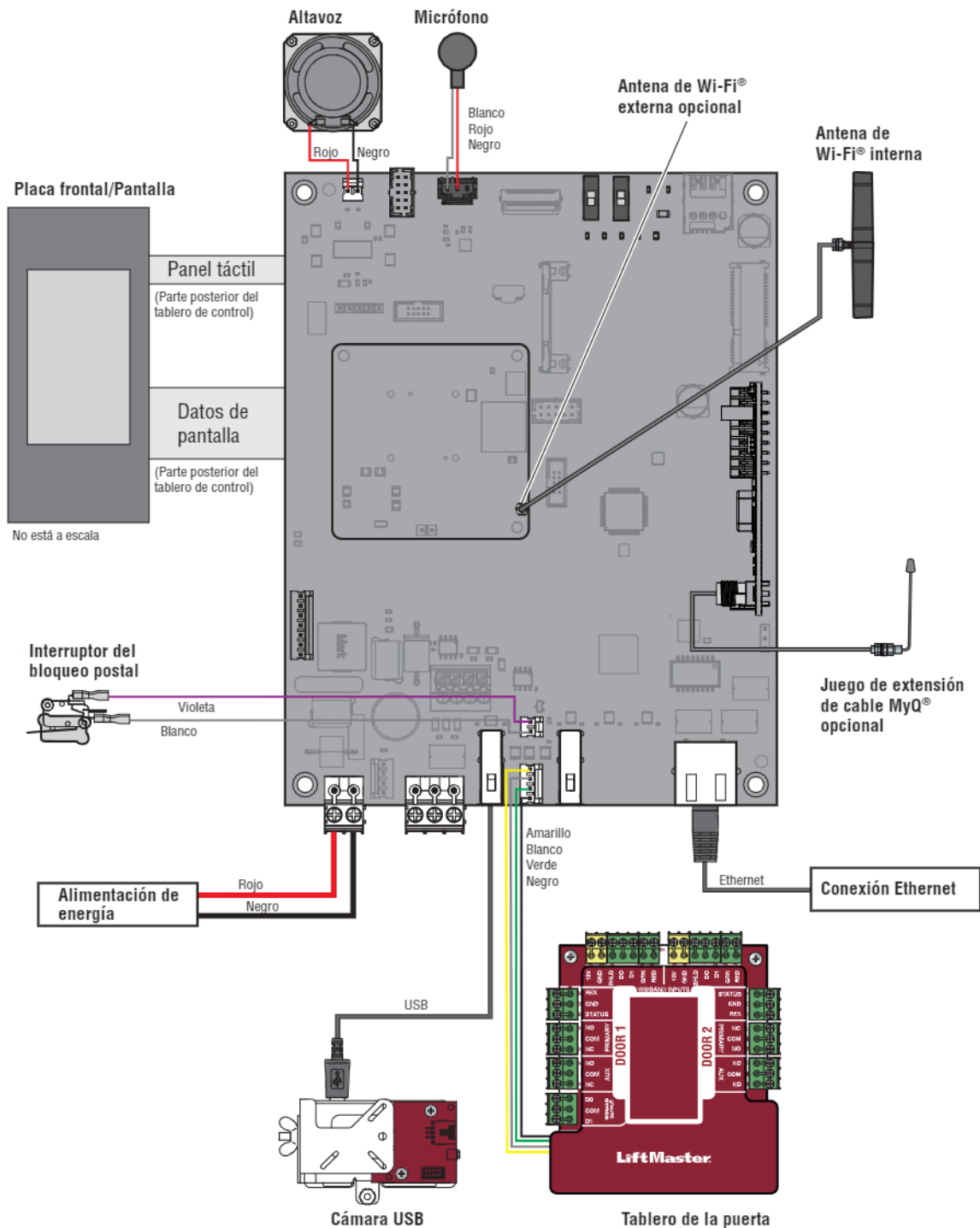


Diagrama de cableado

PRECAUCIÓN

No nos hacemos responsables por los conflictos entre la información detallada en el diagrama de cableado y los requisitos de sus códigos de construcción locales. La información es para el uso sugerido ÚNICAMENTE. Verifique sus códigos locales ANTES de realizar la instalación.



Partes de repuesto

ELEMENTO	NÚMERO DE PIEZA
Leva y juego de cerradura	K41-0215-000
Panel frontal con juego de pantalla, CAPXM	K41-0216-000
Tablero de control, CAPXM	K41-0217-000
Juego de micrófono, CAPXM	K41-0223-000
Interruptor de bloqueo postal, CAPXM	K41-0219-000
Ensamblaje de carcasa trasero, CAPXM	K41-0220-000
Juego de cableado, CAPXM	K41-0221-000
Juego de Altavoz, CAPXM	K41-0222-000
Juego de alimentación eléctrica	K41-0227-000
Tablero de puerta y cubiertas	K001D8478
Juego de cámara USB	CAPXLCAM

Accesorios

ELEMENTO	NÚMERO DE PARTE
Lector Multi-class SE RP10 Mini Mullion	LMMC-MINI
Wi-Fi® Juego de antena	K76-38957
Juego de antena de radio	K76-38958
Extensión de la antena de radio 4.57 m (15 pies)	86LM
Wi-Fi® Extensión de la antena 4.57 m (15 pies)	WFAEXT
Wi-Fi®/Bluetooth® Antena externa	WFBTEXT
Antena ESARM	XMANTKIT
Lector interno de proximidad	XMRDRKIT
Teclado Wiegand/Lector de proximidad	KPR2000*
Portal de acceso conectado de 2 puertas	CAP2D
Módem celular 4G/LTE con Wi-Fi®	CAPCELL
Todos los operadores de portón LiftMaster® myQ®/compatibles con las normas UL325	
Control remoto de 3 botones para parasol Passport MAX	PPV3M
Minicontrol remoto de 3 botones Passport MAX	PPK3M
Minicontrol remoto de 3 botones con sensor de proximidad Passport MAX	PPK3PHM
Control remoto de 1 botón para parasol Passport Lite	PPLV1-X**
Control remoto de 1 botón para llavero Passport Lite	PPLK1-X**
Minicontrol remoto de 1 botón con sensor de proximidad Passport Lite	PPLK1PH-X**
Lector de identificación por radiofrecuencia (RFID) de gran alcance	LMSC1000
Etiqueta de RFID universal (parabrisas/faro)	LMUNTG
Etiqueta de RFID colgante vehicular	LMHNTG

* KPR2000 no está certificado por UL para UL 294. No se puede utilizar como un medio para otorgar o rechazar el acceso, sino solo para uso complementario.

** Disponible en paquetes de 10 y 100, reemplazar la X con 10 o 100

NOTA: En LiftMaster.com se mantiene una lista actualizada de lectores y teclados compatibles. Si tiene un modelo específico de lector o teclado que no está detallado en el sitio web de LiftMaster, comuníquese con el Soporte Técnico de LiftMaster para determinar la compatibilidad.

Hoja de configuración

A continuación, registre la información del dispositivo y los ajustes de configuración.

Nombre del CAPXM:

NOTA: Todo usuario del sistema está sujeto a los términos que se detallan en el Contrato de Licencia de Usuario Final (EULA).

Notas:

CONFIGURACIÓN DEL DISPOSITIVO:

PUERTA 1	NOMBRE DE LA PUERTA O EL PORTÓN:		
ENTRADAS	WIEGAND	REX	ESTADO
			Fin de línea (S/N):
SALIDAS	RELÉ PRIMARIO		RELÉ AUXILIAR
	N.O.	N.C.	N.O. N.C.
Notas:			

PUERTA 2	NOMBRE DE LA PUERTA O EL PORTÓN:		
ENTRADAS	WIEGAND	REX	ESTADO
			Fin de línea (S/N):
SALIDAS	RELÉ PRIMARIO		RELÉ AUXILIAR
	N.O.	N.C.	N.O. N.C.
Notas:			

Exenciones de responsabilidad legal

Conformidad con Underwriters Laboratories (UL) de Canadá

El CAPXM se deberá instalar en conformidad con la Parte 1 del Código Eléctrico de Canadá.

Aviso de documentación y restricciones

La información contenida en este documento está sujeta a cambios sin previo aviso y no representa un compromiso de parte de LiftMaster. Para obtener la información más actualizada, visite LiftMaster.com.

Este documento y los datos incluidos en el presente no se deberán duplicar, utilizarse o divulgarse a otros para la adquisición o fabricación, excepto en los casos en que se cuente con una autorización por escrito de LiftMaster. La información que contiene este documento o el mismo producto se considera propiedad exclusiva de LiftMaster. Toda la información de este documento o de los productos de hardware y software en sí está protegida por las leyes de propiedad de autor u otras leyes de propiedad intelectual de los Estados Unidos.

Resistencia de la Unidad de control UL 294: Nivel 3, Seguridad de la línea: Nivel 1, Ataque destructivo: Nivel 1, Energía de reserva: Nivel 1

AVISO: Este dispositivo cumple con la parte 15 de la reglamentación de la FCC y los estándares RSS exentos de licencia de Innovación, Ciencia y Desarrollo Económico de Canadá. La operación está sujeta a las dos siguientes condiciones: (1) este dispositivo no puede causar interferencia perjudicial, y (2) este dispositivo debe aceptar cualquier interferencia recibida, incluyendo la interferencia que puede causar una operación no deseable. Cualquier cambio o modificación no expresamente aprobada por la parte responsable del cumplimiento podría anular la autoridad del usuario para operar el equipo.

Al instalar este dispositivo debe quedar una distancia mínima de 20 cm (8 pulg.) entre el dispositivo y los usuarios/transesúntes.

Este dispositivo ha sido probado y cumple con los límites para un dispositivo digital de Clase B, conforme con la Parte 15 de las normas de la FCC y el estándar ICES de Industry Canada. Estos límites se establecen para proporcionar un nivel razonable de protección contra interferencias perjudiciales en instalaciones residenciales. Este equipo genera, usa y puede emitir energía de radiofrecuencia. Podría causar interferencias perjudiciales a las comunicaciones radiales si no se instala y utiliza de acuerdo con las instrucciones.

Aun así, no hay garantía de que no se produzcan interferencias en una instalación particular. Si este equipo causa interferencias perjudiciales para la recepción de radio o televisión, lo que se puede determinar encendiendo y apagando el equipo,

se alienta al usuario a intentar corregir la interferencia adoptando una o más de las medidas siguientes:

- Volver a orientar o reubicar la antena receptora.
- Aumentar la distancia entre el equipo y el receptor.
- Conectar el equipo en una salida de un circuito distinto del circuito al que está conectado el receptor.
- Consultar con el distribuidor o con un técnico de radio/TV experimentado para pedir ayuda.

AVISO: Al montar el CAPXL/CAPXLV en una entrada peatonal, instale la parte superior de la pantalla del CAPXL/CAPXLV a una distancia que no supere las 54 pulgadas del suelo a fin de cumplir la ley ADA.

NOTA: Al instalar el CAPXM, consulte en la jurisdicción local si existen requisitos específicos como una señalización física que se puedan necesitar.

Garantía

LiftMaster (el “Vendedor”) garantiza al primer comprador de este producto, para la estructura en la que se instale originalmente este producto, que este mismo está libre de defectos de materiales y de mano de obra por un período de dos años a partir de la fecha de compra.

El funcionamiento correcto de este producto depende de que usted cumpla con las instrucciones referentes a la instalación, el funcionamiento, el mantenimiento y la prueba. Si no cumple estrictamente estas instrucciones, se anulará por completo esta garantía limitada.

Si, durante el período de garantía limitada, este producto parece contener un defecto cubierto por esta garantía limitada, comuníquese al número gratuito 1-800-528-2806 antes de desmontar el producto. A continuación, envíe este producto, una vez que sea pagado por anticipado y asegurado, a nuestro centro de servicio, con el fin de realizar el reemplazo, cubierto por la garantía. Los productos devueltos al Vendedor para el reemplazo cubierto por la garantía, los cuales una vez recibidos por el Vendedor se confirme que son defectuosos y que están cubiertos por esta garantía limitada, serán reemplazados (a opción única del Vendedor) sin costo para usted y serán devueltos con el porte pagado. Las partes defectuosas serán reemplazadas a opción única del Vendedor por partes nuevas o reconstruidas de fábrica.

ESTA GARANTÍA LIMITADA SUSTITUYE A OTRAS GARANTÍAS EXPRESAS O IMPLÍCITAS, INCLUYENDO CUALQUIER GARANTÍA IMPLÍCITA DE COMERCIALIZACIÓN O DE ADECUACIÓN PARA UN PROPÓSITO PARTICULAR, O DE CUALQUIER OTRA ÍNDOLE, ADEMÁS DE CUALQUIER OTRA OBLIGACIÓN O RESPONSABILIDAD POR PARTE DEL VENDEDOR. ESTA GARANTÍA LIMITADA NO CUBRE DAÑOS NO RELACIONADOS CON DEFECTO ALGUNO DEL PRODUCTO, DAÑOS CAUSADOS POR LA INSTALACIÓN, LA OPERACIÓN O EL CUIDADO INCORRECTOS (QUE INCLUYEN, ENTRE OTROS, ABUSO, USO INDEBIDO, FALTA DE MANTENIMIENTO RAZONABLE Y NECESARIO, REPARACIONES NO AUTORIZADAS O CUALQUIER ALTERACIÓN A ESTE PRODUCTO), NI LOS CARGOS DE MANO DE OBRA PARA VOLVER A INSTALAR UNA UNIDAD REPARADA O DE REPUESTO, PROBLEMAS RELACIONADOS CON LA INTERFERENCIA, O PARA EL REEMPLAZO DE BATERÍAS.

BAJO NINGUNA CIRCUNSTANCIA, EL VENDEDOR SERÁ RESPONSABLE DE DAÑOS EMERGENTES, INCIDENTALES O ESPECIALES QUE SURJAN EN RELACIÓN CON EL USO O CON LA INCAPACIDAD DE USO DE ESTE PRODUCTO. EN NINGÚN CASO, LA RESPONSABILIDAD DEL VENDEDOR POR INCUMPLIMIENTO DE LA GARANTÍA, RESCISIÓN DEL CONTRATO, NEGLIGENCIA O RESPONSABILIDAD ESTRUCTA DEBERÁ EXCEDER EL COSTO DEL PRODUCTO CUBIERTO POR ESTA GARANTÍA. NINGUNA PERSONA ESTÁ AUTORIZADA A ASUMIR POR NOSOTROS NINGUNA RESPONSABILIDAD EN RELACIÓN CON LA VENTA DE ESTE PRODUCTO.

Algunos estados no permiten la exclusión o la limitación de daños emergentes, incidentales o especiales, de manera que es posible que la anterior limitación o exclusión no se aplique a su caso. Esta garantía limitada le proporciona derechos legales específicos y usted también puede tener otros derechos que varían según el estado.

Wi-Fi® is a registered trademark of Wi-Fi Alliance®.
Wi-Fi® est une marque déposée de Wi-Fi Alliance®.
Wi-Fi® es una marca comercial registrada de Wi-Fi Alliance®.



114-5468-000

© 2021 LiftMaster
All rights reserved.
Tous droits réservés.
Todos los derechos reservados.