

SECUREPASS CR¹



40-100

WIEGAND PROXIMITY CARD READER

FEATURES

- Control 1 door
- 26-bit Wiegand protocol
- Reads SecurePass, HID®, and EM cards and fobs*
- Audible-tone and LED feedback
- Tamper-resistant cover
- Durable polycarbonate construction
- Designed for indoor or outdoor use



WORKS WITH

- Ascent family (select models)
- Connect family (**COMING SOON**)
- Edge family
- Other 26-bit Wiegand controllers

* Reader can read both HID and HID-compatible cards and fobs.

FLEXIBLE FOR YOU

From SecurePass and HID to EM cards and fobs, our card reader reads them all.

INDUSTRY STANDARD

Taking advantage of the industry standard 26-bit Wiegand protocol, our card reader will work with any 26-bit Wiegand controller.

SIMPLICITY IN DESIGN

Green means go. A solid green light after scanning a card means access is granted.

TOUGH AND DURABLE

Durable polycarbonate construction, potted circuitry, and a tamper-resistant cover allow this card reader to stand up to the elements.



SPECIFICATIONS

PHYSICAL

Dimensions 3.60"(H) x 1.69"(W) x 0.71"(D)
Shipping Weight 1 lb.

ELECTRICAL

Input 9-16 VDC
supplied by Wiegand controller

COMMUNICATION

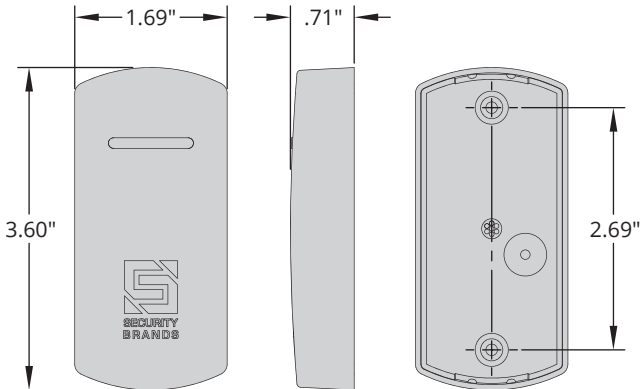
Connection 26-bit Wiegand
Wiring 9.5-inch pigtail

ENVIRONMENTAL

Operating Temperature -15 to 158 °F

CONNECTIVITY

WIEGAND



Includes hardware for surface and faceplate mounting

RELATED PRODUCTS



SECUREPASS CARD
RFID Proximity Card
40-C



SECUREPASS FOB
RFID Fob
40-F



SECUREPASS TR1
Wiegand Mid-Range Vehicle Tag Reader
40-200

For more information, visit us online:
securitybrandsinc.com

HID is a registered trademark of HID Global Corporation.

 **SECURITY BRANDS INC**TM
your *partner* in access control

(972) 474-6390 sales@securitybrandsinc.com 2210 Executive Dr
Garland, TX 75041