



# 2112 eVolve

## VIDEO ENTRY SYSTEM



**2112 eVolve**  
Flush Mount

**2112 eVolve**  
Surface Mount

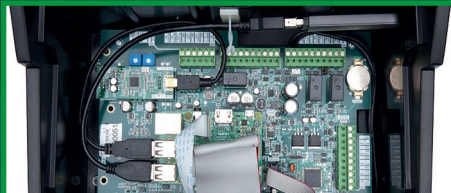
### Voice or Video calling and access management from anywhere with the DKS Cloud

- The 2112 eVolve is our most advanced and versatile Video Entry System, allowing the homeowner or system users the ability to grant entry to guests even from thousands of miles away.
- The 2112 features Video or Voice calls in a broadcast mode for up to 4 phones simultaneously when the call button is pushed.
- The 2112 control dashboard is browser based, so all that's needed is an internet connection and a web browser to access Entry System settings such as users, access time zones, entry codes and more.
- Residents can quickly grant guests access from their home phone or smartphone.
- Able to control up to three entry points, the 2112 eVolve operates with an internet connection or an optional cellular connection.

#### Internet Connection - Wired or Wireless



#### NEW eVolve Technology Inside



**Wireless Cellular Connection Option**  
Used if an internet connection is not possible.



**Internet Connection**  
Use your existing internet connection for easy Plug & Play connectivity



**Live Video Streaming**  
Users with the DKS video calling app downloaded to their smartphone are able to communicate with guests via video stream



**Voice Communication**  
Talk to guests at a front door or gate from any telephone in the home, or mobile phone



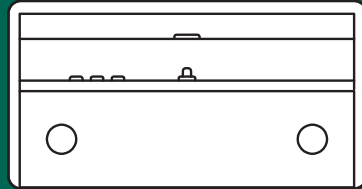
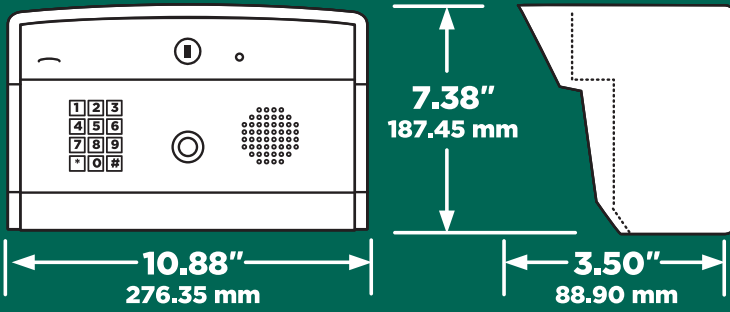
**Broadcast Calling**  
Access requests from the call button can ring up to 4 phones simultaneously.



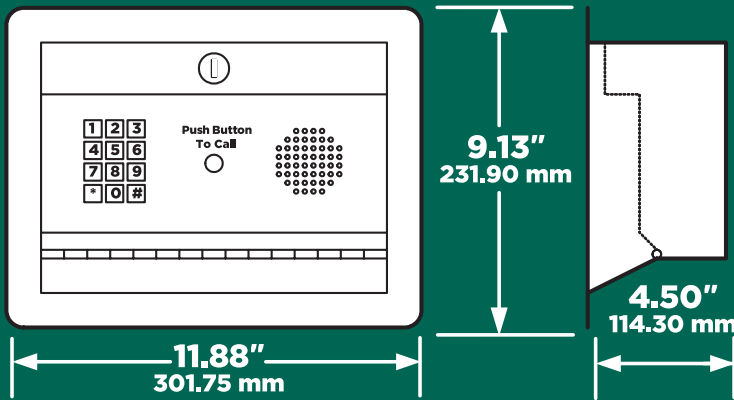
**Control from Any Device, Anywhere**  
Administrators can access system settings from any browser via the cloud.



# 2112 eVolve VIDEO ENTRY SYSTEM



### 2112 eVolve Surface Mount



### 2112 eVolve Flush Mount

| MODEL                    | 2112  |
|--------------------------|---|
| PHONE NUMBERS            | 10 Residents, four (4) phone numbers per resident |
| ENTRY CODES <sup>1</sup> | Programmable to four (4) or five (5) digits       |
| RELAYS                   | Three (3) Type C                                  |

1. Entry codes grant access when entered on the system keypad

## TECHNICAL FEATURES

### PROGRAMMING/USER FEATURES

- Programming via Internet Browser using a laptop, tablet or smartphone
- DKS Video Calling app
- All programming is shared in the cloud
- Updates show as they occur

### CONNECTIVITY NETWORK CONNECTION

- User provided Internet connection required
- Standard Residential Package Registration is required

### CONNECTIVITY CELLULAR CONNECTION

- Cellular connection available if Internet connection is not possible. Additional cellular connection fee applies.

### FEATURES

- Cloud Based system
- Built-in IP Camera for Video Calling
- Broadcast Calling (up to four numbers simultaneously)
- 10 Residents, maximum of four (4) phone numbers per resident
- Entry codes can be set to either four (4) or five (5) digits
- Do Not Call schedule
- Hold Open schedule for each relay
- Entry Code schedule
- Relay (Door/Gate) Status: Closed - Open - Held Open
- Each relay (Entry Point) can be named
- Independent relay strike times
- Relay (Door/Gate) control: Close - Open - Hold Open

### ELECTRICAL/MECHANICAL

- 16VAC, 20 VA transformer provided
- 12VDC Backup power input
- Three (3) Form C relays, 1A max
- Back Lighted Metal Keypad
- Back Lighted Metal Push to Call button
- Stainless Steel Faceplate
- Galvanized Steel sub plate

### MISCELLANEOUS

- Environmental: 10°F to 145°F (-12°C to 62°C)
- Shipping weight approximately 15 lb (7 kg)

FCC (US) DUF6VT-12874-OT-T  
DOC (CAN) 1736 4528 A

## DoorKing®, Inc.

Access Control Solutions since 1948



120 S. Glasgow Avenue,  
Inglewood, California 90301 U.S.A.  
Tel: 310-645-0023 FAX: 310-641-1586  
www.doorking.com

© 2022 All Rights Reserved.  
Product specifications may  
change without notice. Rev. 2/22



### MEMBER:



### DISTRIBUTED BY:

