

ADVANTAGE DKLP



19-100 SERIES

100-CODE LOW-POWER KEYPADS

FEATURES

- Low current draw
- Control 1 gate/door
- 100 four-digit code capacity
- Personal master code
- Latch code
- Variable relay time
- Alarm shunt
- Audible-tone feedback
- Non-volatile memory



ADVANTAGE

SOLID ACCESS CONTROL FOR OVER 35 YEARS

NO-NONSENSE OPERATION

If you're looking for keypads that are easy to program and easy to use, look no further!

GOES WHERE YOU GO

With such a low current draw, these units can be located in the remotest of locations, as long as sunlight is sufficient.

STURDY AND DURABLE

All our products are made from high-quality materials that will last for years to come.

PROGRAMMING YOU KNOW

Quick, simple, and familiar, the basic programming steps on the keypad are identical to those on all our keypads.



SPECIFICATIONS

PHYSICAL

19-100

Dimensions 5.22"(H) x 5.22"(W) x 5.10"(D)

Shipping Weight 4 lbs.

19-100I

Dimensions 5.80"(H) x 7.45"(W) x 5.25"(D)

Shipping Weight 6 lbs.

19-100SG

Dimensions 4.50"(H) x 2.75"(W) x 0.75"(D)

Shipping Weight 1 lb.

ELECTRICAL

Input 12 VDC
power supply not included

Current Draw less than 6.0 mA @ 12 VDC
with relay latched

RELAY

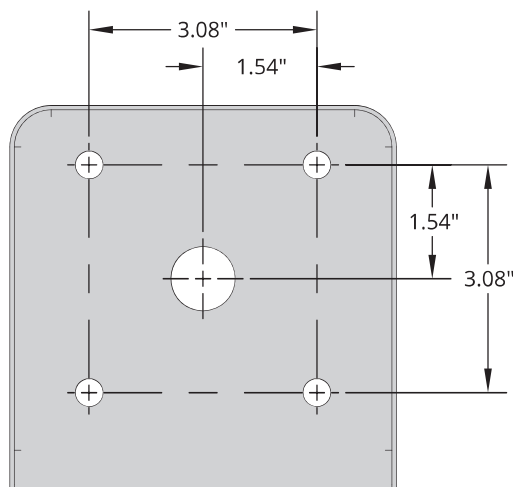
Contact Rating 2 A @ 30 V / .5 A @ 120 V
DC Load / AC Load

Variable Relay Time 1-9 seconds

ENVIRONMENTAL

Operating Temperature -15 to 175 °F

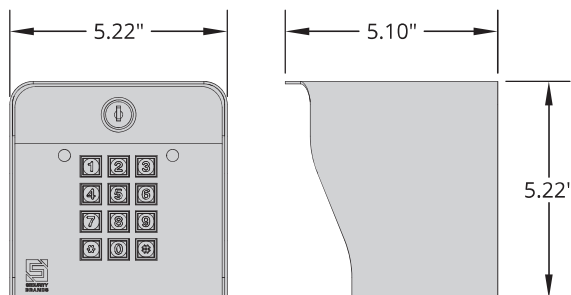
MOUNTING (19-100)



HOLE SIZES

Wiring pass through 0.88"
Mounting holes (x4) 0.38"

Unit includes mounting hardware.



19-100 shown

AVAILABLE MODELS



19-100
Post Mount



19-100I
Post Mount w/ Intercom



19-100SG
Single Gang



19-100E
Post Mount Economy

For more information, visit us online:
securitybrandsinc.com

 **SECURITY BRANDS INC™**
your *partner* in access control

(972) 474-6390

sales@securitybrandsinc.com

2210 Executive Dr
Garland, TX 75041