



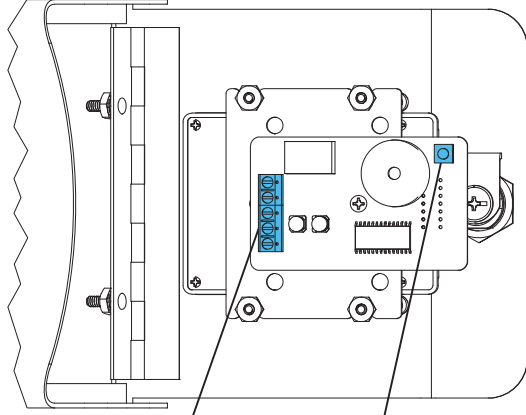
**1** Carefully unpack box.

**2** Make sure you have everything shown here.

	Keypad Unit		Key		Carriage Bolt (4x)		Hex Nut (4x)
--	-------------	--	-----	--	-----------------------	--	-----------------

## What's what?

Important components labeled



**Power and Relay Terminals**  
For wiring to Gate operator or door opener and power  
**POWER MUST BE 7-14 VDC!**

**Reset Button**  
For performing reset procedures

**Keypad Unit Front Panel**

Unit shown with front panel fully open.

**3** Unlock and open front panel of keypad unit; then using carriage bolts and hex nuts, attach unit to pedestal as shown.

Continued on next page...

## ⚠ WARNING!

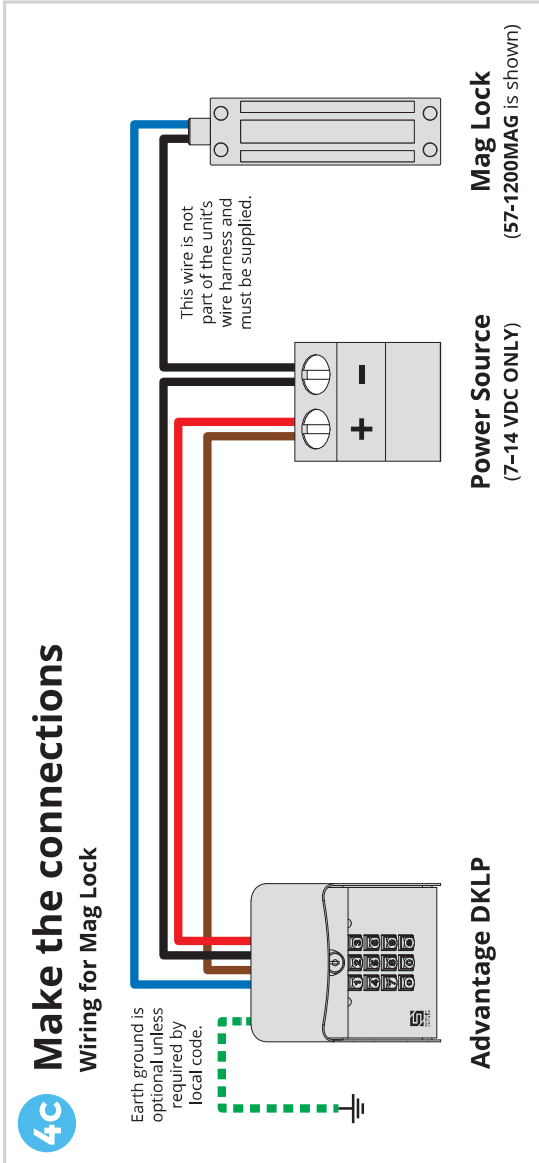
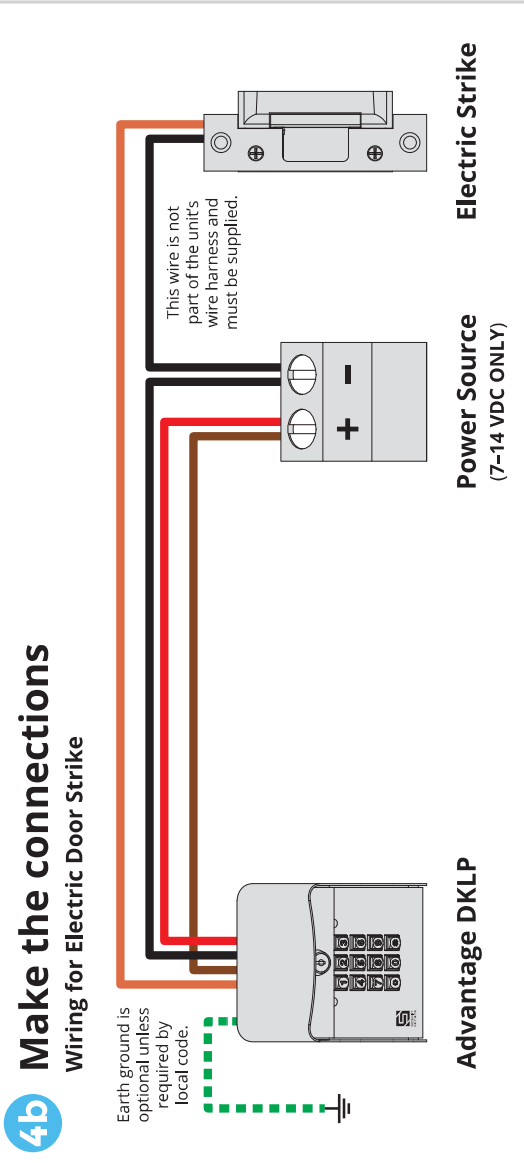
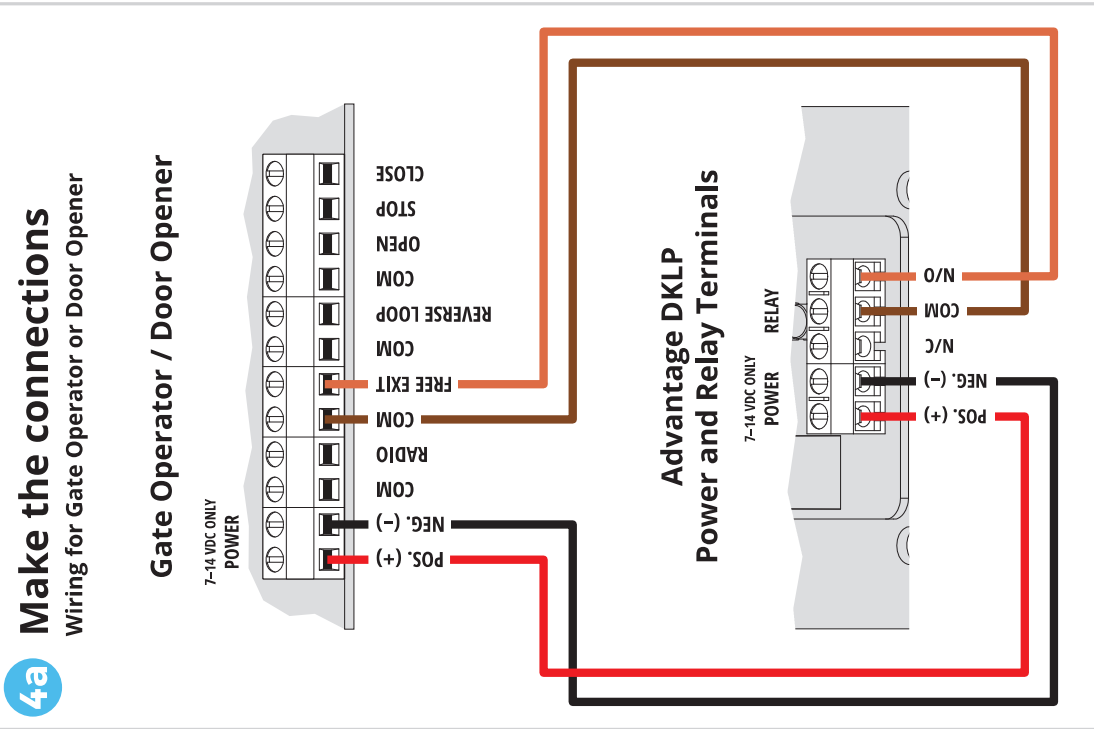
**AUTOMATIC GATES CAN CAUSE SERIOUS INJURY OR DEATH!**  
**ALWAYS CHECK that the GATE PATH IS CLEAR BEFORE OPERATING!**  
**REVERSING or other SAFETY DEVICES SHOULD ALWAYS BE USED!**

## ⚠ CAUTION!

Double check your wires! You must wire from positive on keypad unit to positive on your power source and negative on keypad unit to negative on your power source.

**Reverse polarity can damage keypad unit!**

# QUICK START GUIDE | ADVANTAGE DKLP



**5 Add Access Code(s).**  
(To add multiple codes, enter each of them before pressing pound key)

1	2	5	1	→	1	→	→	→	→	→	→	#
											Access Code(s)	
											(4 digits; numbers only)	

**NOTE:** The Master Code is for programming only and will not trigger the relay. The green arrow indicates a "good" tone on the keypad. An incorrect entry will sound a "bad" tone.

**6 Make sure gate path is clear; then enter access code on keypad and confirm gate opens.**

**INSTALLATION COMPLETE!**

Your system is ready to use.

## A1 Additional Programming

**Delete Code(s)**  
(To delete multiple codes, enter each of them before pressing pound key)

1	2	5	1	→	2	→	→	→	→	→	#
											Code(s) to Be Deleted
											(4 digits; numbers only)

**Change Master Code**

1	2	5	1	→	3	→	→	→	→	→	#
											New Master Code
											(4 digits; numbers only)

**Set Latch Code**

1	2	5	1	→	5	→	→	→	→	→	#
											Latch Code
											(4 digits; numbers only)

### Things to Know

**The Star Key (\*)**  
The star key deletes your current entry. If you happen to make a mistake keying in a code, simply press the star key to delete the entire entry and start over.

**The Pound Key (#)**  
The pound key is good for one thing and one thing only: exiting Programming Mode. Whenever you're in Programming Mode, simply press the pound key to get out.

**Master Reset Procedure**  
If for some reason the Master Code and/or Latch Code is forgotten, a reset procedure is available to remedy the situation. This procedure can be found on Page 4 of this guide.

**NOTE:** Green arrow indicates "good" tone on keypad. Always wait for good tone before moving on.

## Programming Sub Modes

- 1** Add Access Code(s)
- 2** Delete Code(s)
- 3** Change Master Code
- 4** Set Relay Output Time
- 5** Set Latch Code
- 0** Delete All Codes

## A2 Additional Programming (continued)

### Set Relay Output Time

1 2 5 1 → 4 → \_ #

Master Code      Sub Mode      Seconds  
(1251 is default)      (0-9)

### Delete All Codes (Cannot Be Undone)

1 2 5 1 → 0 → 1 2 5 1 →

Master Code      Sub Mode      Master Code Again  
(1251 is default)

Keypad will sound "good" tone when complete.

**NOTE:** Green arrow indicates "good" tone on keypad. Always wait for good tone before moving on.

## B Master Reset Procedure

This procedure is used if the Master Code is unknown, or if the Latch Code is unknown and the unit is in Latch Mode. All other codes will be retained after completing this procedure.

**NOTE: If an error is made during these procedures, an "error" tone will sound, and you must start again from the beginning.**

**Step 1 - Open front panel on unit.**

**Step 2 - Disconnect power.**

Remove one power wire from screw terminal on circuit board by unscrewing and removing.

**Step 3 - Press and hold Reset Button; reconnect power; then release Reset Button.**

Insert removed power wire back into screw terminal and screw down to secure. Unit will sound one (1) tone. Release Reset Button after you hear tone.

**Step 4 - Close front panel on unit.**

The Master Code is now reset to default (1251).



© 2021 Security Brands, Inc. All rights reserved.

Call (972) 474-6390  
 Email [techsupport@securitybrandsinc.com](mailto:techsupport@securitybrandsinc.com)  
 We are available Mon-Fri / 8am-5pm Central



**SECURITY BRANDS INC**  
 your *partner* in access control

QSG-19100-EN Rev. F (9/2021)