

1 Carefully unpack box.

2 Make sure you have all items shown here. (Screwdriver not shown)

RTE Unit
(includes battery)

Key Switch Keys
(may look different)

Lock Key

Carriage Bolt
(4x)

Hex Nut
(4x)

Hole Plug

What's what?

Important components labeled

You **MUST** have the **Ridge Transceiver (14-REC20)** for this RTE unit to work. It is bundled with the Ridge 2.0 (14-500), Ridge RTE (14-RTE433), and can be purchased separately as well.

Lock
For securing interior of RTE unit

Exit Button
Triggers gate/door to open

Key Switch
For enabling and disabling unit (Unit is disabled as shown)

RTE Unit Front Panel (Front)

Pairing Buttons
For pairing RTE unit with transceiver

CR2032 Battery
On underside of circuit board

Status LED
Indicates transmitting status

RTE Unit Front Panel (Back)

Internal wiring not shown for clarity.

Connection Terminals
For wiring to compatible AC/DC power source and gate operator or door opener

Power LED
Indicates whether or not unit has power

Relay Status LED
Indicates whether relay is active or inactive (Relay is active when lit)

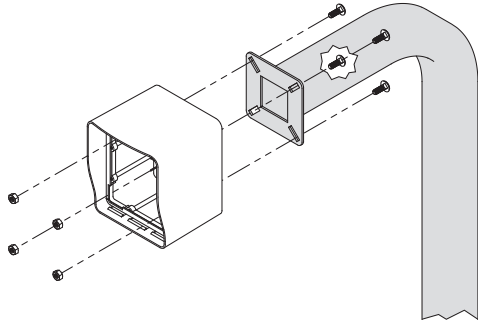
Programming Button
For pairing transceiver with RTE unit

Programming LED
Indicates status of pairing process

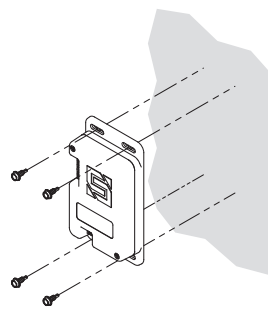
Transceiver (Not Included)

Shown with cover removed.
Internal wiring not shown for clarity.

3 Unlock and remove front panel of RTE unit; then using included carriage bolts and hex nuts, attach unit to pedestal as shown.



4 Using Tek screws, zip ties, or included adhesive mounting pad, attach transceiver to inside wall or another surface of gate operator.



CAUTION!
The transceiver is not weatherproof and must be mounted inside a weatherproof enclosure. Internal components can be damaged if exposed to the elements.
Failure to comply will VOID WARRANTY.

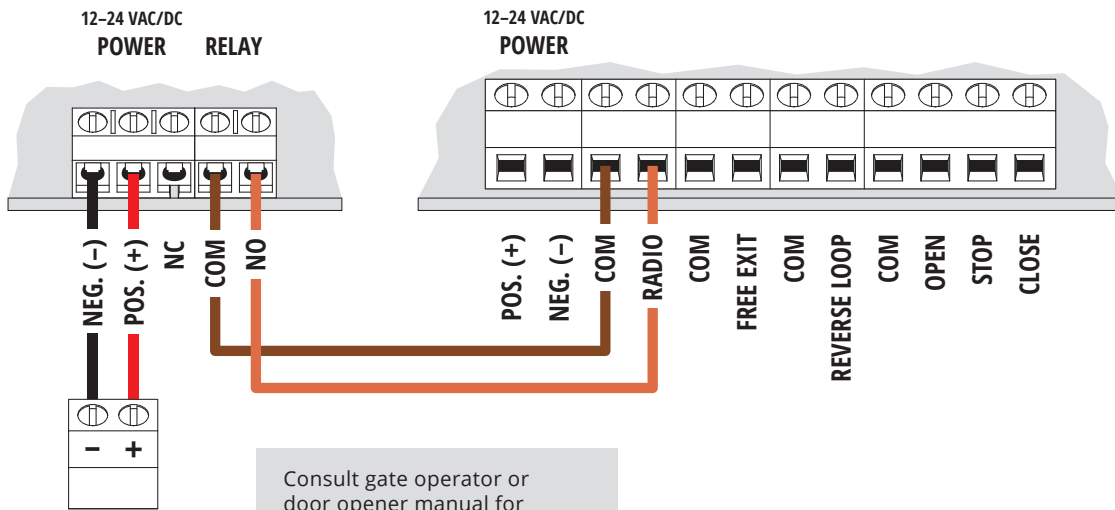
WARNING!
AUTOMATIC GATES CAN CAUSE SERIOUS INJURY OR DEATH!
ALWAYS CHECK that the **GATE PATH IS CLEAR BEFORE OPERATING!**
REVERSING or other **SAFETY DEVICES SHOULD ALWAYS BE USED!**

5a Connect transceiver

Gate Operator Timer-to-Close
OFF

Ridge Transceiver

Gate Operator / Door Opener



12-24-VAC/DC Power Source (Not Included)

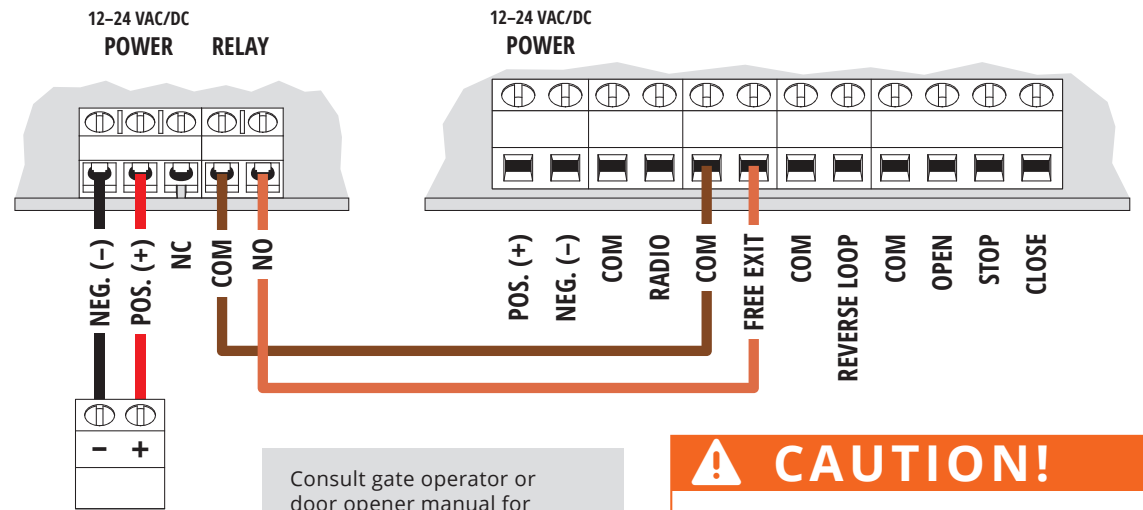
Consult gate operator or door opener manual for exact connections.
Terminals vary widely across manufacturers and models.

5b Connect transceiver

Gate Operator Timer-to-Close
ON

Ridge Transceiver

Gate Operator / Door Opener



12-24-VAC/DC Power Source (Not Included)

Consult gate operator or door opener manual for exact connections.
Terminals vary widely across manufacturers and models.

CAUTION!
A closing gate can cause injury to persons or damage to property.
ALWAYS USE SAFETY DEVICES!

OR

6a Remove transceiver cover; then hold down Programming button on circuit board for 3 seconds and let go.

LED will light solid red

6b Remove RTE unit front panel.

6c Hold down both Pairing Buttons until Status LED flashes. Let go of Button 2 and continue holding Button 1 only until Status LED flashes again.

6d Relay on transceiver should click and transceiver LED should go out. Pairing is complete.

LED will go out

7 Make sure gate/door path is clear; then press exit button on RTE unit and confirm gate/door opens.
(If nothing happens, repeat Step 6)

INSTALLATION COMPLETE!

Your system is ready to use.

! CHECK THAT THE GATE PATH IS CLEAR BEFORE COMPLETING THIS STEP AS IT TRIGGERS THE RELAY!

A The RTE unit can be disabled and re-enabled at any time by taking the key switch keys and using the key switch located below the exit button.

Unit Enabled
(exit button active)

Unit Disabled
(exit button inactive)

B **Transceiver Reset Procedure**

This procedure is used to unpair all devices from the transceiver.

Step 1 - Remove screws and remove transceiver cover.

Step 2 - Press and hold Programming Button until Programming LED starts to flash. Button must be held for about 30 seconds. Once flashing stops, all devices have been unpaired from transceiver and reset is complete.

Step 3 - Replace transceiver cover and secure screws.

