

RTE 300



14-RTE300

300-MHZ WIRELESS REQUEST-TO-EXIT STATION

FEATURES

- 300-MHz output
- Wireless range up to 100 feet
- Lockout key switch
- Durable IP65-rated push button
- Polycarbonate housing and faceplate



GOES WHERE YOU GO

No wires mean freedom—this unit can be located and mounted anywhere you need it.

PLUG AND PLAY

The onboard 300-MHz transmitter works with the receiver you already have. Set the DIP switches and you're ready to go.

SIMPLY DURABLE

A simple design paired with durable components make this unit outlast the rest.

QUICK AND EASY LOCKOUT

It's as simple as turning a key. If you're taking a trip and will be away for awhile, disable the unit with the convenient lockout key switch.



SPECIFICATIONS

PHYSICAL

Dimensions 5.74"(H) x 4.87"(W) x 4.73"(D)
 Shipping Weight 3 lbs.

ELECTRICAL

Input 9 VDC *

TRANSMITTER

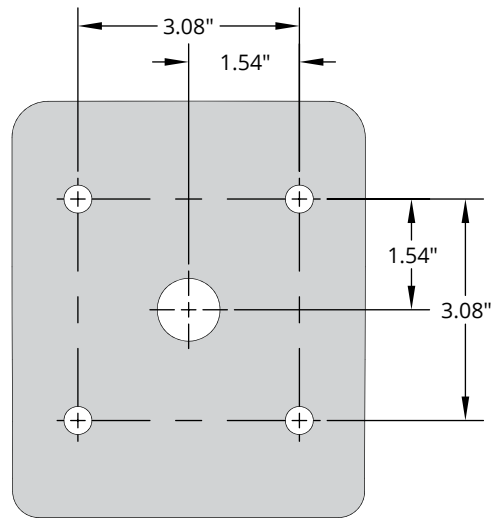
Radio Frequency 300 MHz

ENVIRONMENTAL

Operating Temperature -15 to 175 °F

* Includes 9-V alkaline battery.

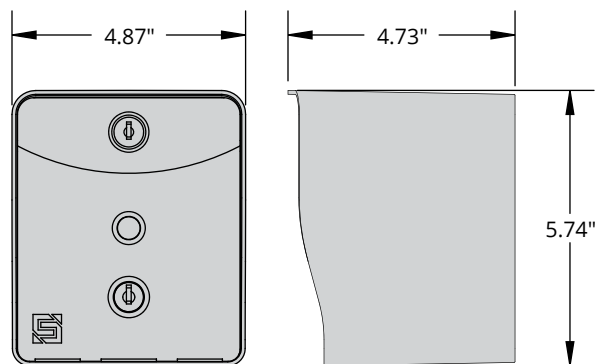
MOUNTING (KEYPAD)



HOLE SIZES

Wiring pass through 0.88"
 Mounting holes (4x) 0.38"

Unit includes mounting hardware.



RELATED PRODUCTS



14-RTE433T
 Ridge RTE
 433-MHz Transmitter



14-RTE433
 Ridge RTE
 433-MHz Transmitter and Transceiver



14-500
 Ridge 2.0
 433-MHz Keypad and Transceiver

For more information, visit us online:
securitybrandsinc.com

 **SECURITY BRANDS INC**TM
 your *partner* in access control

(972) 474-6390 sales@securitybrandsinc.com 2151 East Glen Blvd
 Mesquite, TX 75181