

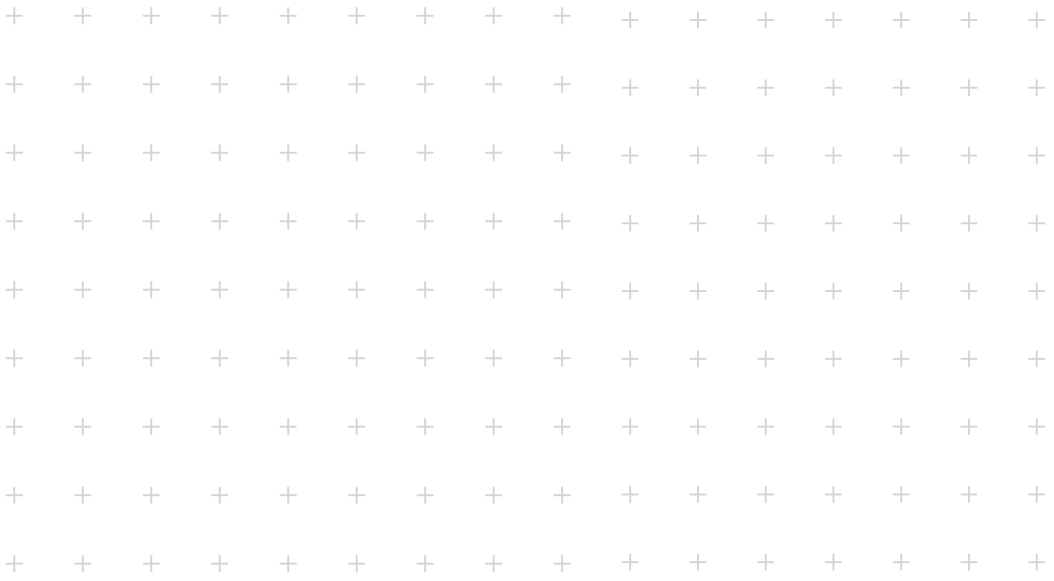
# MANUAL

## Air Filter System

Translation of the original German manual

© 2023 Mr Beam Lasers GmbH | München, 14. September 2023 | Revision 2.0






# Section 01

# WELCOME

We are delighted that you have chosen an Air Filter System!  
Please read this manual thoroughly, even if you are already familiar with some of the functions.

 Knowledge base  
[www.mr-beam.org/support](http://www.mr-beam.org/support)

 Digital manual  
[www.mr-beam.org/downloads](http://www.mr-beam.org/downloads)

# Manual CONTENTS

- 01 WELCOME**
  - 1.1 Using the Manual 4
  - 1.2 About Mr Beam Air Filter System 5
  
- 02 OVERVIEW OF COMPONENTS**
  - 2.1 Scope of supply of Air Filter System (Mr Beam Lasercutter) 7
  - 2.2 Scope of supply of Air Filter System (Third party devices) 8
  - 2.3 Overview of Air Filter System 9
  - 2.4 Connections 10
  
- 03 SAFETY AND CONFORMITY**
  - 3.1 Intended use 13
  - 3.2 Safety instructions 14
  - 3.3 Description of the workplace 15
  - 3.4 Qualification of the user 15
  - 3.5 Warning and safety signs 16
  
- 04 SETUP**
  - 4.1 Unpacking 19
  - 4.2 Connect to Mr Beam Lasercutter 20
  - 4.3 Connect to third party devices 21
  
- 05 CONTROL THE AIR FILTER SYSTEM**
  - 5.1 Controller operation 23
  
- 06 SERVICING AND MAINTENANCE**
  - 6.1 Cleaning and repair 27
  - 6.2 Changing the filters 28
  
- 07 ADDITIONAL INFORMATION**
  - 7.1 Technical data 31
  - 7.2 Storage & Transport / Support 32
  - 7.3 Disposal 33
  
- 08 GENERAL TERMS AND CONDITIONS**
  - 8.1 General Terms and Conditions 35
  - 8.2 Contact addresses 35

## 1.1 Using the Manual



**Caution:** Before the initial start-up and use of the Mr Beam Air Filter System, these operating instructions must be read carefully and observed. Non-observance of individual points listed in the operating instructions can cause personal injury and/or damage to property!

The operating instructions are to be regarded as part of the product. No liability is assumed by Mr Beam Lasers GmbH for damages and malfunctions resulting from non-observance of these operating instructions.

No part of these operating instructions may be reproduced, edited or otherwise modified in any form without prior written permission from Mr Beam Lasers GmbH. The rights for reproduction in any form, especially in electronic, print and other media are reserved.

Mr Beam Lasers GmbH reserves the right to change specifications on the hardware and software described in this manual at any time and without prior notice.

Additional devices must be matched to the basic device.

If you have any questions, please contact Mr Beam Support:  
[www.mr-beam.org/ticket](http://www.mr-beam.org/ticket).

To facilitate understanding of the operating instructions, the following symbols are used:



**Note/Attention:** In these areas, there is a risk of material damage if the operating instructions are not observed.



**Caution:** These areas represent a particular danger for the user or the personnel responsible for maintenance if the operating instructions are not observed!

Please make sure that you have the latest version of the Air Filter System Operating Instructions.

The latest version of the operating manual can be found at:  
[www.mr-beam.org/downloads/](http://www.mr-beam.org/downloads/)

Please keep the operating instructions for future reference. The operating instructions must be passed on to any subsequent owner or user of the product.

This is the original German operating manual. If your national language is not included with the operating instructions, you can obtain them at [www.mr-beam.org/downloads/](http://www.mr-beam.org/downloads/) download it.

Issue date of this Manual:  
14. September 2023

## 1.2 About Mr Beam Air Filter System

The Mr Beam Air Filter System (from now on only referred to as Air Filter System) enables the operation of a Mr Beam laser cutter in closed rooms without the possibility of exhausting air to the outside. This ensures that no unfiltered exhaust air escapes and the user is not endangered at any time.

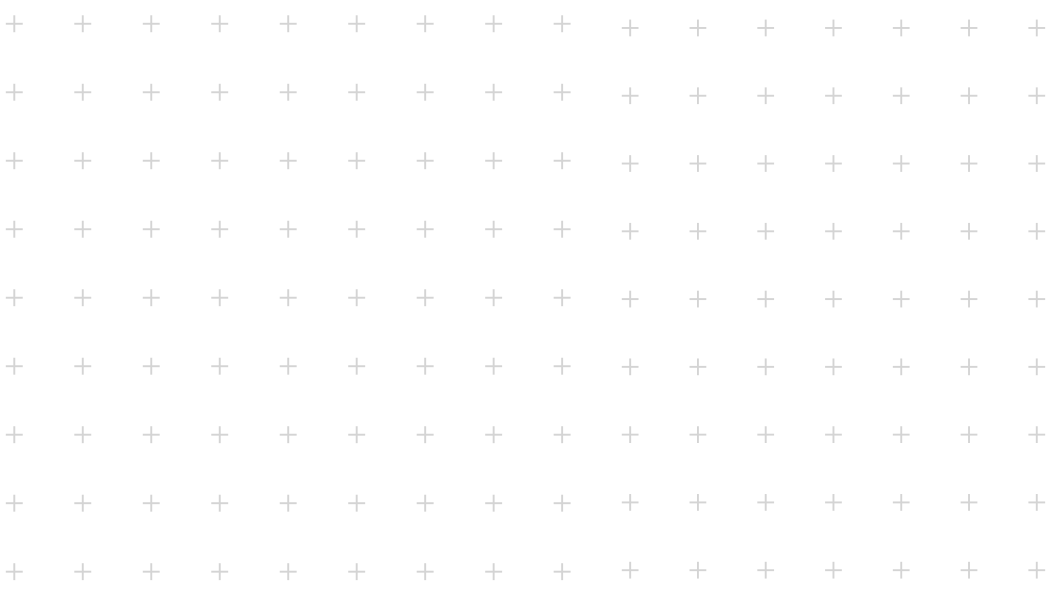
The Air Filter System also allows exhaust air to be extracted and filtered from other laser cutters, 3D printers and soldering stations.

Air is extracted via the exhaust hose. Vapors, particles and odors are then filtered through a three-stage filter for indoor use.

When used with the Mr Beam Lasercutter, the Air Filter System automatically regulates the extraction rate. When used without the Mr Beam Lasercutter, the power of the suction can be regulated manually via the Mr Beam Air Filter Controller (hereinafter referred to as the Controller).

### Manufacturer

**Mr Beam Lasers GmbH**  
Gollierstr. 70  
80339 Munich  
Germany

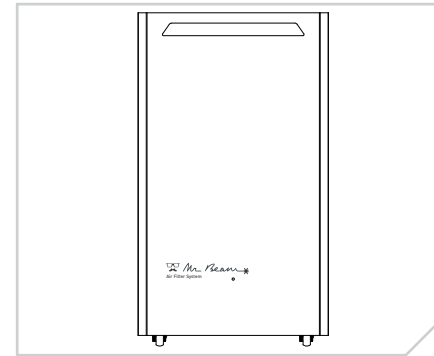


## Section 02

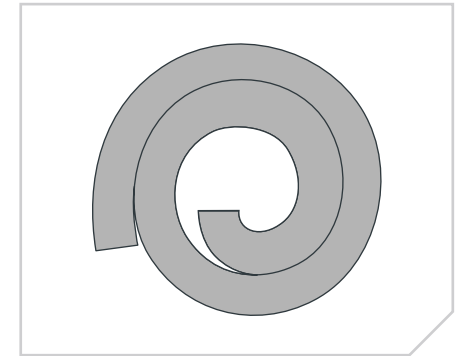
# OVERVIEW OF COMPONENTS

In the following section, you will get an overview of the various components and connections of your Mr Beam Air Filter System.

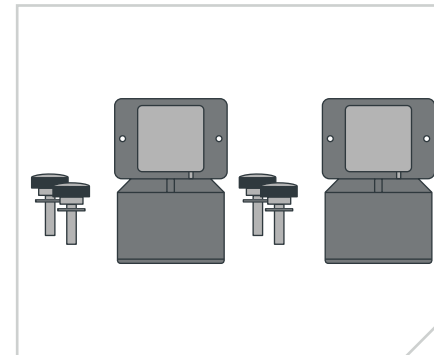
## 2.1 Scope of supply of Air Filter System (Use with Mr Beam Lasercutter)



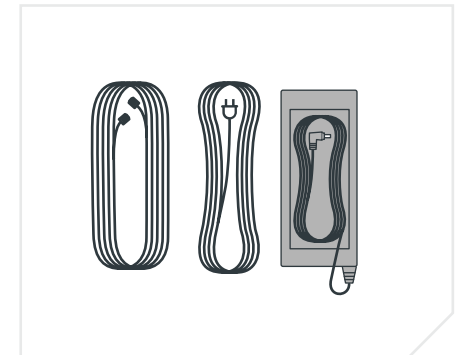
Mr Beam Air Filter System



Exhaust air hose

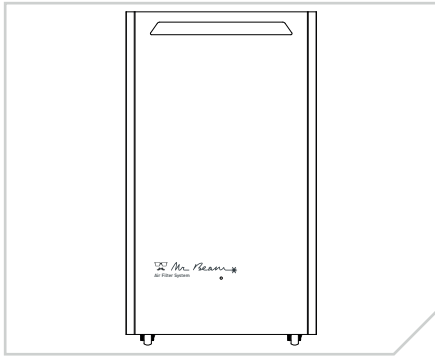


4 screws, 4 washers and  
2 Mr Beam suction nozzles

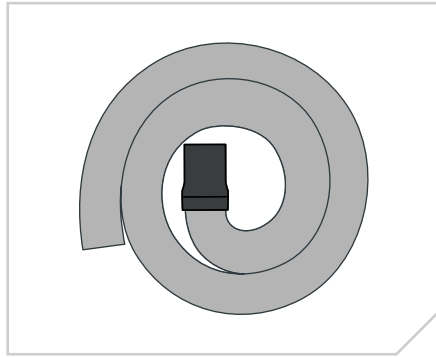


Cable Mr Beam Air Filter System, power  
cable and power supply

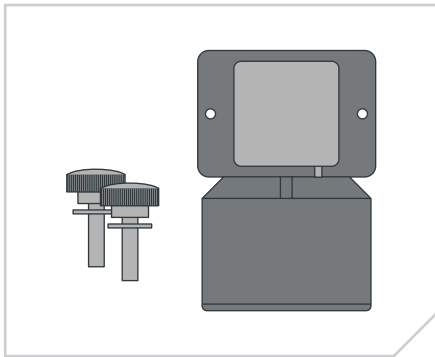
## 2.2 Scope of supply of Air Filter System (Use with third party devices)



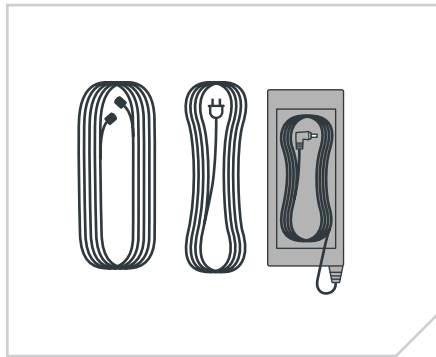
Mr Beam Air Filter System



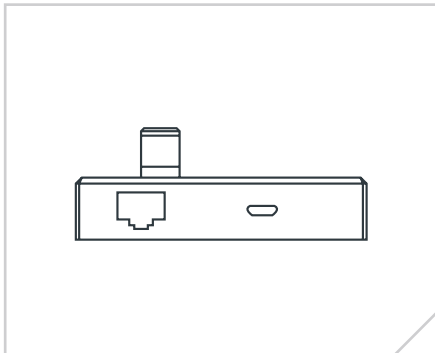
Exhaust air hose with 1x 50 mm suction nozzle



2 screws, 2 washers and Mr Beam suction nozzle

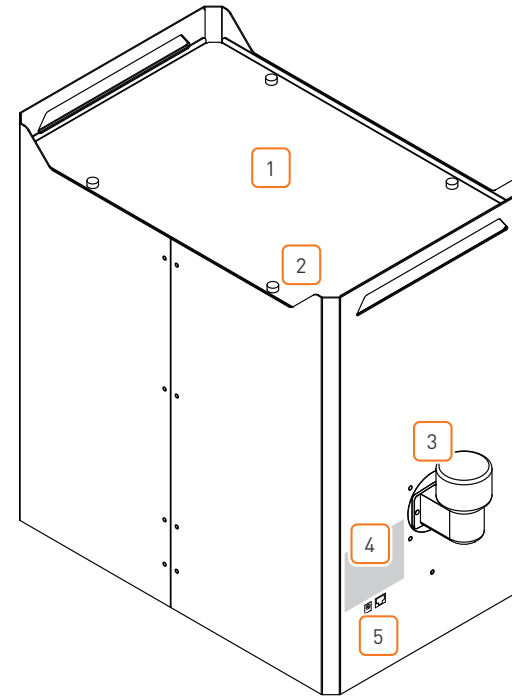


Cable Mr Beam Air Filter System, power cable and power supply



Mr Beam Air Filter Controller  
(hereinafter only referred to as controller)

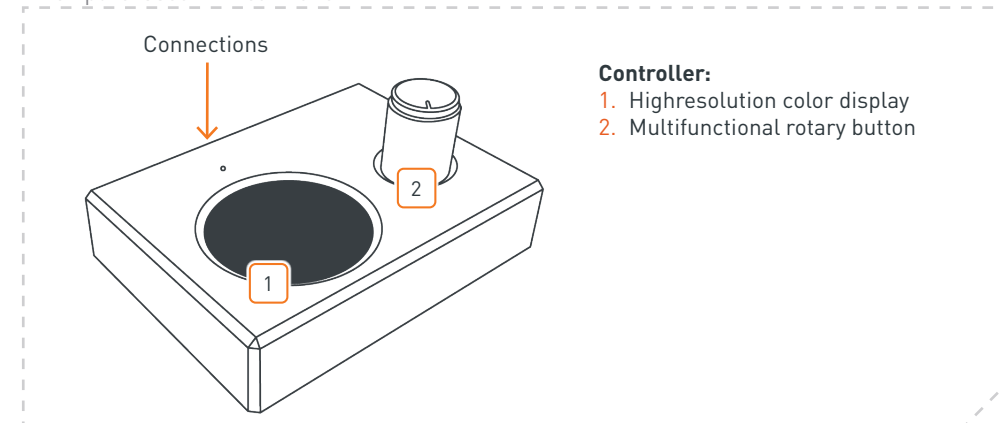
## 2.3 Overview of Air Filter System



### Mr Beam Air Filter System:

1. Cover
2. Locking screws
3. Connection exhaust air hose (here: with screwed-on suction nozzle)
4. Safety sign
5. Connections

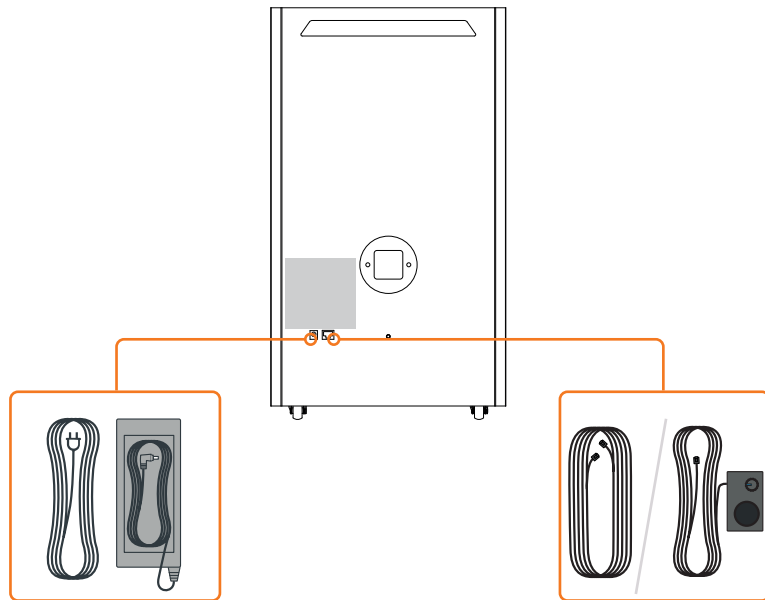
When purchased with controller:



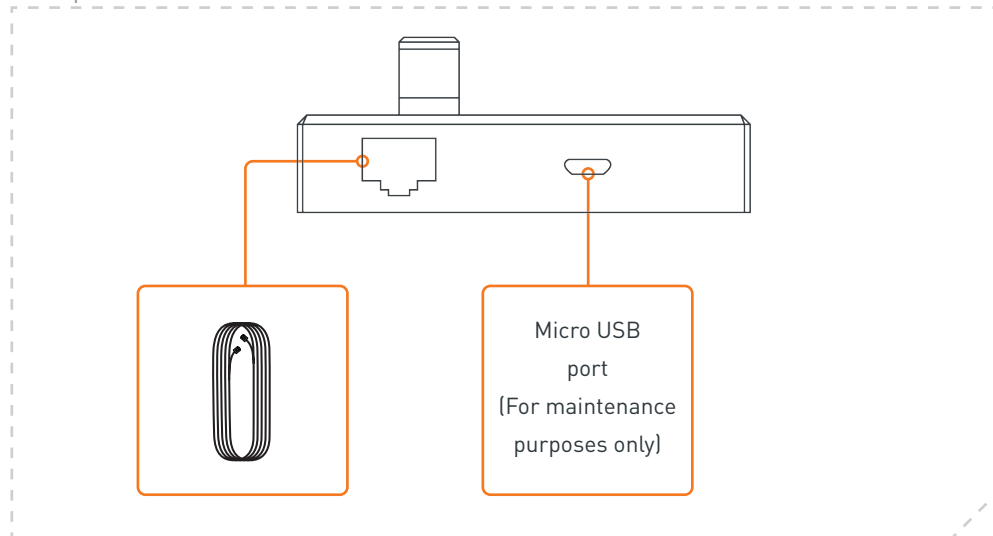
### Controller:

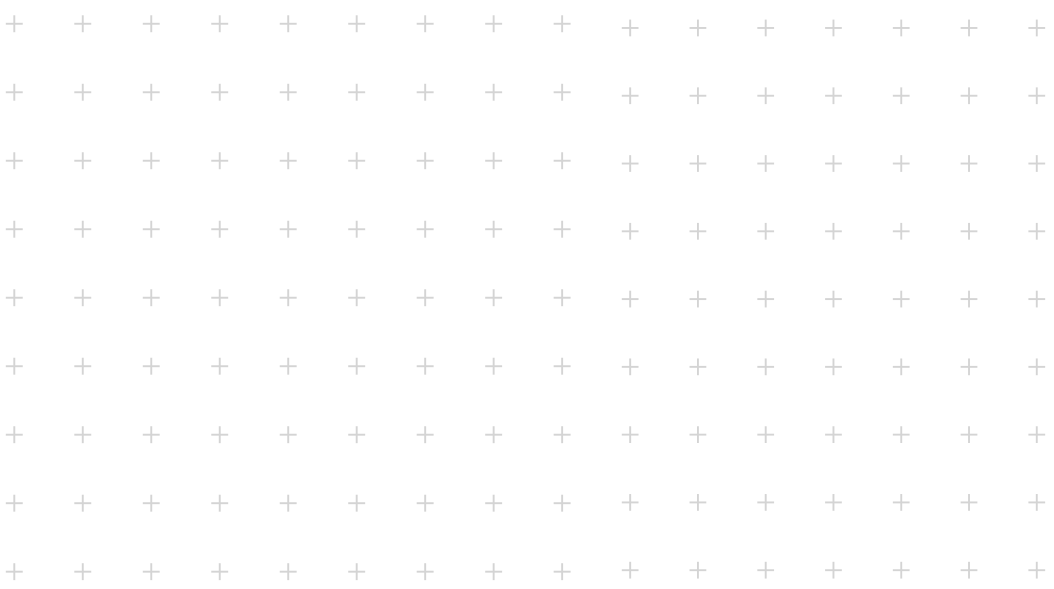
1. Highresolution color display
2. Multifunctional rotary button

## 2.4 Connections



When purchased with controller:





## Section 03

# SAFETY AND CONFORMITY

Please note that this chapter is particularly important. Your Air Filter System can only work safely if you observe all aspects. It is therefore essential that you have read and understood this chapter before commissioning your Air Filter System!

## 3.1 Intended use

Your Air Filter System is designed to extract and filter exhaust air from laser cutters, 3D printers, soldering stations and nail salons. All other applications are not intended.

Air is extracted from the work surface via the hose. Then, a three-stage filter safely filters vapors, particles and odors for indoor use.

When used with the Mr Beam laser cutter, the Air Filter System is automatically regulated. For use with third-party devices, the additional use of the controller is necessary in order to be able to adjust the strength of the fan.

Operation is permitted only when the Air Filter System is in good working order and filters are properly installed. Regularly check the condition of your filters and replace them if necessary (see [Section 6.2 Changing the filters](#)). The manufacturer accepts no liability for personal injury and/or damage to property resulting from improper use or use contrary to the intended purpose of the Air Filter System. The electronic components of the Air Filter System may only be repaired or maintained by persons who are familiar with the intended area of application and the hazards of the Air Filter System and who have received appropriate training.

Use of the Air Filter System when exhausting unsuitable exhaust gases will void the warranty. Unsuitable exhaust gases are: Gases above 50 °C, flammable gases and gases containing chlorine. The Air Filter System is not suitable for the extraction of condensing moisture or liquids or sparks.

The user must clarify which pollutants are contained in the exhaust gases before commissioning the Air Filter System. If the pollutants can cause damage to persons or your Air Filter System, commissioning is not possible. If the Air Filter System cannot filter out the pollutants, it will not be possible to extract these exhaust gases. It is pointed out that it is the user's responsibility to comply with the national and regional threshold limits for dust, fumes and gases.

The non-observance of the operating, maintenance and servicing instructions, which are presented in this operating manual by Mr Beam Lasers GmbH, excludes any liability of Mr Beam Lasers GmbH in any case.



**Note:** The warranty does not cover damage or defects caused by non-observance of the operating instructions.

## 3.2 Safety instructions

### Use device only in original condition

The use of a device that has recognizable defects or that has adaptations that have not been approved by Mr Beam Lasers GmbH is not permitted and can lead to damage to property or bodily injury.

- » Before starting each use, you are obliged to check the Air Filter System for externally visible defects, damage or conspicuous features. Possible defects include damage to the exhaust air hose and bent parts on the housing. Any changes detected, including unusual operating behavior, must be rectified immediately. Further use of the Air Filter System is excluded until the defect has been completely remedied.
- » Operate the Air Filter System only with devices and spare parts that are included in the scope of delivery and/or approved by Mr Beam Lasers GmbH.
- » Do not rebuild or disassemble your Air Filter System under any circumstances. Care and maintenance procedures as described in chapter 6 „Care and maintenance“ are excluded. Do not operate any device that has been rebuilt or disassembled!

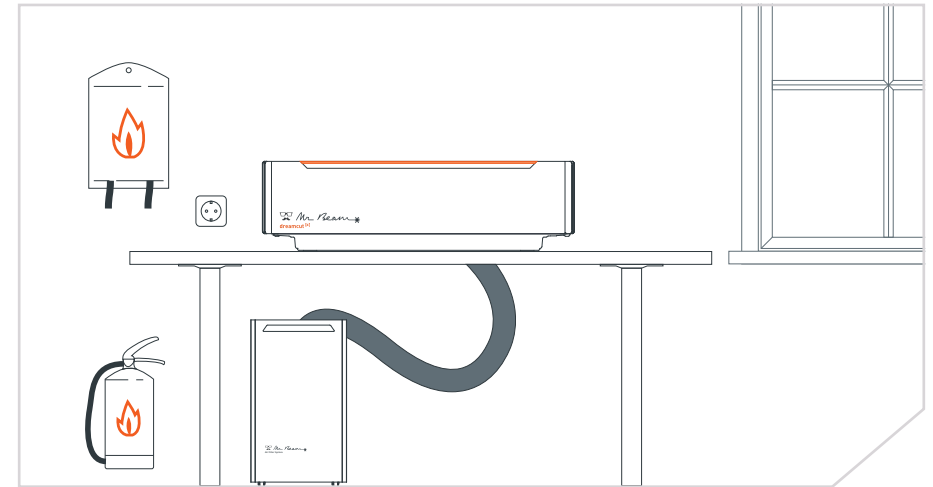
### Avoid leakage of harmful vapors

Failure to observe the safety measures may result in the emission of fire odors and vapors, which may be harmful to health.

- » Refrain from any mode of operation that impairs the safety of the Air Filter System.
- » To avoid injury to third parties, you are obliged to exclude the commissioning of the Air Filter System by unauthorized persons (e.g. precautions against unauthorized use).

- » At all times, the disabling and/or disassembly of safety devices and any reconstruction or modification of the Air Filter System is prohibited. Failure to do so may result in serious injury.
- » Use the Air Filter System only with properly installed filters that cover the entire surface. Check that the filters are correctly seated, especially before using the Air Filter System for the first time and after transporting it.
- » Regularly check the condition of the filters and replace them if necessary (see [Section 6.2 Changing the filters](#)).
- » Before commissioning the unit, clarify whether pollutants can arise from the processing of materials that can harm the Air Filter System, the environment and/or persons. It is pointed out that it is the user's responsibility to comply with national and regional limits for dust, fumes and gases.
- » Use the Air Filter System only in ventilated, dry rooms.

## 3.3 Description of the workplace



- » The power outlet must be easily accessible and located in the immediate vicinity of the device. In case of emergency, you must be able to disconnect the power plug.
- » Ensure that the circuit of the socket is adequately protected.
- » Ensure that cleanliness and clarity are always guaranteed in and around the workplace of the Air Filter System.
- » Ensure that a fire extinguisher and fire blanket are in close proximity at all times.
- » The working temperature must be between 5°C and 30°C. Avoid high temperature fluctuations.
- » Use the Air Filter System only in ventilated, dry rooms to avoid contact with moisture. Failure to do so may result in damage to individual parts. (Humidity between 10% and 60%, no condensation).
- » Use the Air Filter System only in low-dust environments.
- » Avoid strong mechanical vibrations acting on the Air Filter System.

- » Ensure sufficient air circulation in the room so that possible pollutants do not accumulate.
- » Place the Air Filter System on a stable, level and horizontal work surface.

## 3.4 Qualification of the user

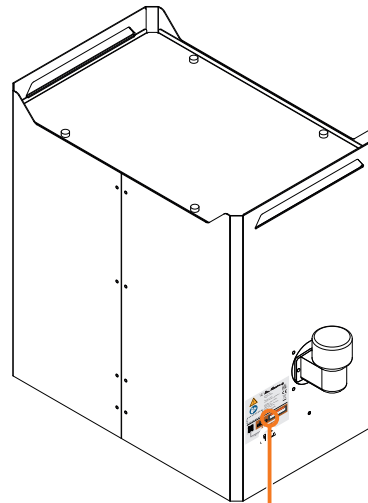
- » If several persons work with the Air Filter System, the owner, proprietor or other person responsible for access to the device has the responsibility to ensure that all users are sufficiently qualified and are familiar with the safety regulations.
- » Minors are only allowed to use the Air Filter System under adult supervision.






## 3.5 Warning and safety signs

All warning and information signs attached to your Air Filter System are located in places which may be a source of danger before and/or during operation. Damaged or lost warning and information signs must be replaced immediately. The missing warning and information signs can be ordered from Mr Beam Support ([mr-beam.org/ticket](http://mr-beam.org/ticket)) or reproduced independently using this template.

Print this page in DIN A4 format so that the warning and information signs correspond to their original size.






Model: AF3  
Made in Europe

Weight: 19 kg  
Type of device: Exhaust air filter

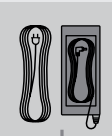
Mr Beam Lasers GmbH  
Gollierstr. 70  
80339 Munich, Germany  
[www.mr-beam.org](http://www.mr-beam.org)

WEEE - DE17853778


UK  
CA  
CE



---



19 V ~ min. 4 A



## EG Konformitätserklärung EU Declaration of Conformity



Firma / Company: Mr Beam Lasers GmbH  
 Adresse / Address: Gollierstrasse 70  
 80339 München  
 Produktkategorie / Product category: Abluftfilter / Air Filter  
 Modellbezeichnung / Model name: AF3  
 Hersteller / Manufacturer: Mr Beam Lasers GmbH  
 Artikelnummer / Article number: 903-0001#  
 Seriennummer / Serial number: AF3-####  
 Erstellungsdatum / Creation date: 05.10.2023  
 Änderungsdatum / Amendment date: 05.10.2023 / Version 1.0  
 Aktuellste Version / Latest revision: [mr-beam.org/conformity](http://mr-beam.org/conformity)

**Das Produkt erfüllt die einschlägigen Harmonisierungsrechtsvorschriften der Union:**  
**The product fulfill the relevant European harmonisation legislations:**

|                                 |                                                                                                      |
|---------------------------------|------------------------------------------------------------------------------------------------------|
| Rechtsvorschrift / Legislation: | Titel / Title:                                                                                       |
| 2006/42/EC                      | <a href="#">Maschinenrichtlinie / Machinery Directive (ABl. L 157, 9.6.2006, p. 24–86)</a>           |
| 2014/30/EU                      | <a href="#">EMV Richtlinie / EMC Directive (ABl. L 96, 29.3.2014, p. 79-106)</a>                     |
| 2014/35/EU                      | <a href="#">Niederspannungsrichtlinie / Low Voltage Directive (ABl. L 96, 29.3.2014, p. 357-374)</a> |
| 2011/65/EU:2014-02-14           | <a href="#">RoHS (ABl. L 174, 1.7.2011, p. 88–110)</a>                                               |

**Die Übereinstimmung mit den Anforderungen der europäischen Harmonisierungsrechtsvorschriften wurde durch die Anwendung der folgenden harmonisierten Normen und technischen Spezifikationen nachgewiesen:**


**The compliance with the requirements of the European harmonisation legislations was proved by the application of the following harmonised standards and technical specifications:**

| Normen / Standards:                                             | Beschreibung                                                                                                                                                          | Description                                                                                                                                                          |
|-----------------------------------------------------------------|-----------------------------------------------------------------------------------------------------------------------------------------------------------------------|----------------------------------------------------------------------------------------------------------------------------------------------------------------------|
| <a href="#">EN 12100:2011-03 (inkl. Berichtigung 1:2013-08)</a> | Sicherheit von Maschinen - Allgemeine Gestaltungsleitsätze - Risikobeurteilung und Risikominderung                                                                    | Safety of machinery - General principles for design - Risk assessment and risk reduction                                                                             |
| <a href="#">EN 61000-6-1:2019</a>                               | Elektromagnetische Verträglichkeit (EMV) - Teil 6-1: Fachgrundnormen - Störfestigkeit für Wohnbereich, Geschäfts- und Gewerbebereiche sowie Kleinbetriebe             | Electromagnetic compatibility (EMC) - Part 6-1: Generic standards - Immunity for residential, commercial and light-industrial environments                           |
| <a href="#">EN 61000-6-3:2022-07-01</a>                         | Elektromagnetische Verträglichkeit (EMV) - Teil 6-3: Fachgrundnormen - Störaussendung für Wohnbereich, Geschäfts- und Gewerbebereiche sowie Kleinbetriebe             | Electromagnetic compatibility (EMC) - Part 6-3: Generic standards - Emission standard for residential, commercial and light-industrial environments                  |
| <a href="#">EN 60335-1:2020</a>                                 | Sicherheit elektrischer Geräte für den Hausgebrauch und ähnliche Zwecke – Teil 1: Allgemeine Anforderungen                                                            | Household and similar electrical appliances - Safety - Part 1: General requirements                                                                                  |
| <a href="#">EN 60335-2-65:2013</a>                              | Sicherheit elektrischer Geräte für den Hausgebrauch und ähnliche Zwecke – Teil 2-65: Besondere Anforderungen für Luftreinigungsgeräte                                 | Household and similar electrical appliances – Safety – Part 2-65: Particular requirements for air-cleaning appliances                                                |
| <a href="#">EN 60335-2-69:2015</a>                              | Sicherheit elektrischer Geräte für den Hausgebrauch und ähnliche Zwecke – Teil 2-69: Besondere Anforderungen für Staub- und Wasserauger für den gewerblichen Gebrauch | Household and similar electrical appliances - Safety - Part 2-69: Particular requirements for wet and dry vacuum cleaners, including power brush, for commercial use |
| <a href="#">EN 60335-2-2:2014</a>                               | Sicherheit elektrischer Geräte für den Hausgebrauch und ähnliche Zwecke – Teil 2-2: Besondere Anforderungen für Staubsauger und Wasserauger IEC 60335-2-2:200         | Household and similar electrical appliances - Safety - Part 2-2: Particular requirements for vacuum cleaners and water-suction cleaning appliances                   |

**Weitere Informationen / additional information:**

keine / none

Place / Date  
 München / 05.10.2023 / Version 1.0

  
 Sebastian Donner, Head of Engineering

This copy of the Declaration of Conformity is dated 05 Oct. 2023.  
 In addition, you can find current versions of the manual and declaration of conformity to download at: [www.mr-beam.org/conformity](http://www.mr-beam.org/conformity)

## Section 04

# SETUP

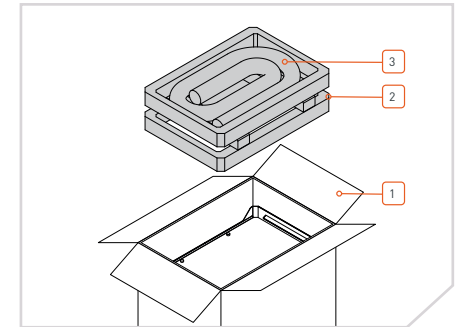
In the following chapter, we will guide you from unpacking to setting up the network connection.

When setting up your Air Filter system, remember that it was assembled and packaged with great care by us. Please take the time to unpack and set it up with the same care.

## 4.1 Unpacking

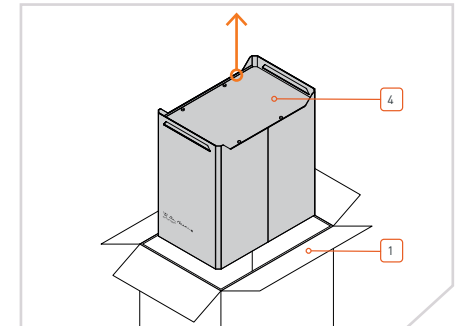
### Open box

1. Place the box [1] on a flat surface.
2. Open the box [1]. Do not use any sharp objects that could damage the surface.
3. Pull out the upper transport protection [2] including the Exhaust air hose [3] and the box with the accessories.



### Remove from box

1. Take the Air Filter System [4] out of the box [1].

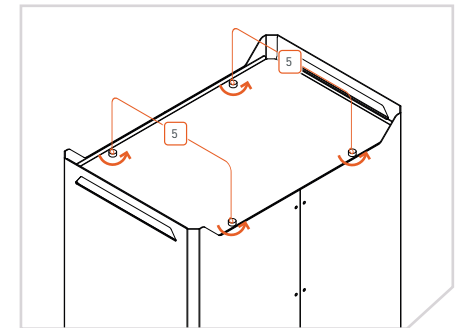


### Insert main filter

1. Open the air filter system by opening the closing screws [5].
2. Insert the main filter into the housing. More detailed information can be found in [Section 6.2 Changing the filters](#).



**Attention:** If the main filter is not properly seated in the housing, the exhaust air can escape unfiltered. This can result in personal injury and damage to property.

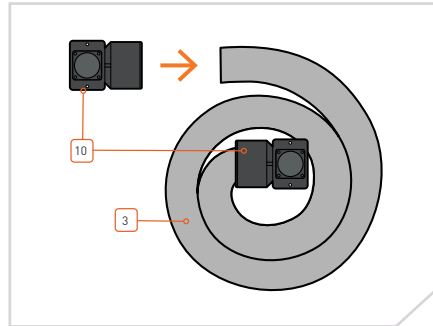


## 4.2 Connect to Mr Beam Lasercutter

### Connecting the suction nozzle

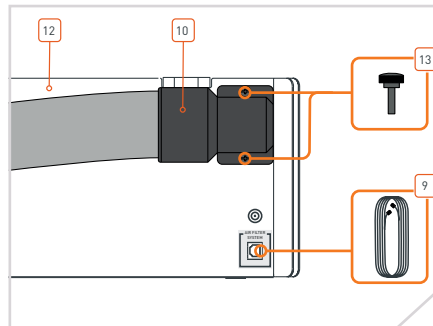
1. If necessary connect the Mr Beam suction nozzles [10] to the free end of the exhaust air hose [3].

**i** **Note:** The exhaust air hose [3] is equipped with a left-hand thread.



### Connect to the Mr Beam laser cutter

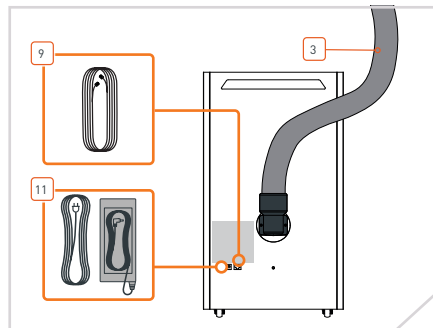
1. Mount one of the suction nozzles [10] on your Mr Beam laser cutter [12]. Use the supplied screws and washers [13] for this purpose. Tighten them moderately.
2. Then connect the Air Filter connection cable [9] to your Mr Beam lasercutter.



### Exhaust air

1. Connect the exhaust air hose [3] to the Air Filter System.
2. Then connect the Air Filter connection cable [9] and the power cable [11] to the Air Filter system.
3. Connect the power cable [11] with the power outlet.

**i** **Attention:** Disconnect all cables and the exhaust air hose again for relocation, transport and maintenance.

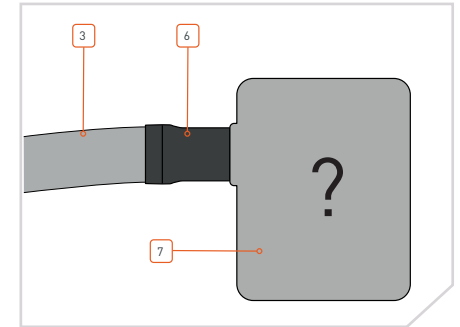


## 4.3 Connect to third party devices (When purchased with controller)

### Connect to the device

1. Connect one of the 50 mm suction nozzles [6] to your third-party device [7].

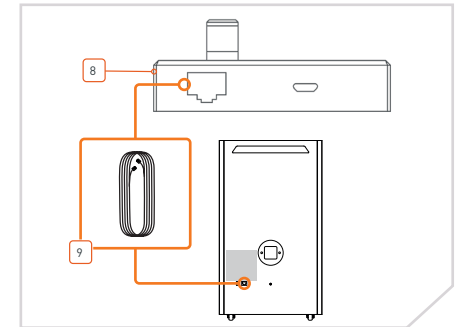
**i** **Note:** If you want to use a different suction nozzle, you can unscrew the suction nozzle [6]. The exhaust air hose [3] is equipped with a left-hand thread.



### Connect Air Filter System

1. Connect the controller [8] to the designated connection of the Air Filter System using the air filter connection cable [9].

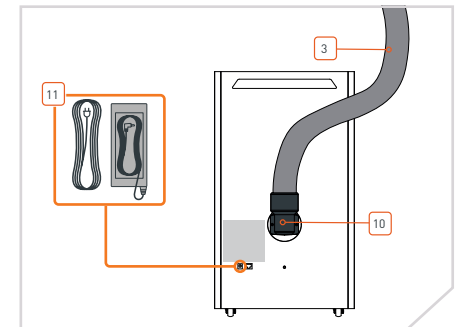
**i** **Note:** The micro USB port of the controller is for maintenance purposes only. It is not used during regular use.



### Exhaust air

1. Connect the exhaust air hose [3] with the suction nozzle [10] to the Air Filter System.
2. Now connect the power cable [11] to the Air Filter System connector [8].
3. Connect the power cable [11] with the power outlet.

**i** **Attention:** Disconnect all cables and the exhaust air hose again for relocation, transport and maintenance.



## Section 05

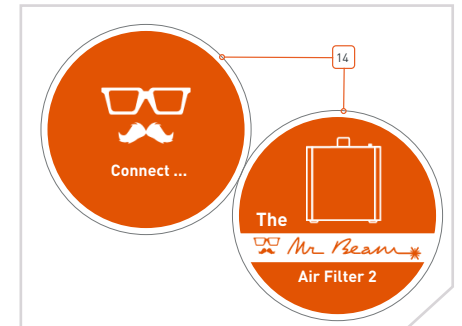
# CONTROL THE AIR FILTER SYSTEM

After commissioning the Air Filter System, we will introduce you to the basics of using the controller. This step is only relevant for you if you have purchased the Air Filter System separately and do not use it together with a Mr Beam Lasercutter.

## 5.1 Controller operation

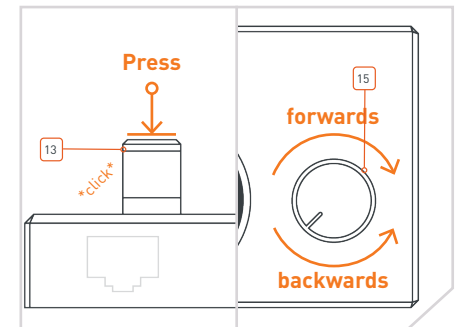
### Recognition of the system

If you have connected the controller correctly to the Air Filter Systems, you will see the Mr Beam Air Filter III on the display [14].



### Operate rotary button

1. Turn the rotary button [15] to navigate through the menu of the controller.
2. Press the rotary button [15] to select menu items.



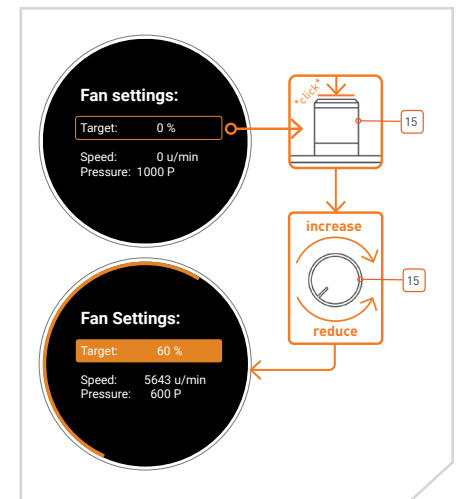
### Change fan setting

1. Click on the „Preset“ menu item.
2. Turn the rotary button [15] to adjust the fan power in percent.

**i Note:** The current percentage is shown graphically on the edge of the display on each page of the menu.

3. Turn up the fan power more if you can see smoke at the current setting.

**i Note:** The higher the fan power is set, the louder the Air Filter System is.



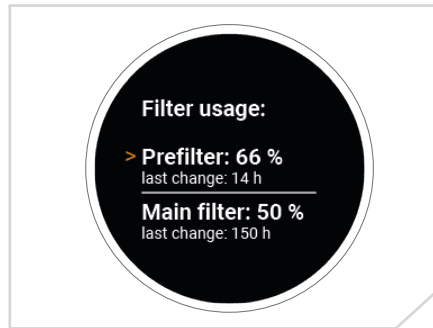
## 5.1 Controller operation

### Show filter consumption

The „Filter consumption“ page shows you the percentage filter consumption of the pre-filter and main filter. It also shows the runtime since the last filter change took place.



**Note:** The percentage display of the filter consumption is only a guide value. Regularly check both filters by visual inspection.

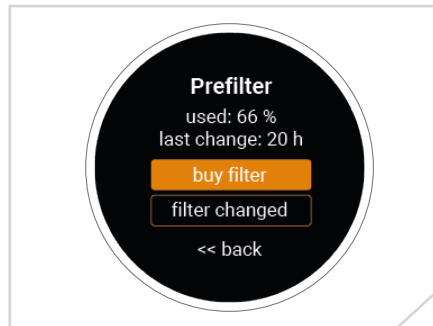


### Reset filter consumption



**Note:** Only reset the filter consumption if you have changed the filter..

1. Click on the „Pre-filter“ or „Main filter“ menu item.
2. Click the „Filter changed“ menu item to reset the filter consumption and „last change“.

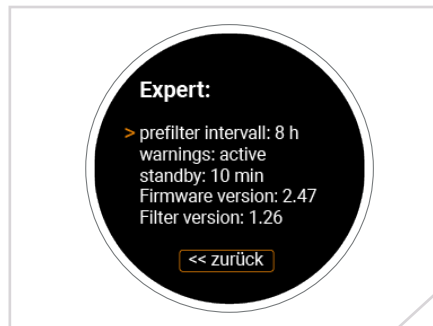


### Open Expert settings

1. Open the Expert settings by pressing and holding the knob while turning it clockwise.



**Note:** Changes in the Expert settings are made at your own risk!



More detailed information about the controller interface can be found in our knowledge base:  
[www.mr-beam.org/controller](http://www.mr-beam.org/controller)

## Section 06

# SERVICING AND MAINTENANCE

In order to be able to guarantee a permanent, fault-free function of your Air Filter System, regular regular maintenance & care is essential. In the following chapter you will find information on proper cleaning.

## 6.1 Cleaning and repair

### Cleaning



**Note:** No tools are required for regular cleaning, nor do any parts need to be unscrewed.

1. Disconnect all connections to the unit before starting cleaning.
2. Remove all dust and dirt from all visible parts and surfaces of the Air Filter System.



**Caution:** Do not use aggressive cleaning agents or cleaning agents containing chlorine for cleaning. Improper handling of chemicals can cause damage to property and personal injury. We recommend the use of mild soapy water or commercially available detergents in low concentrations.

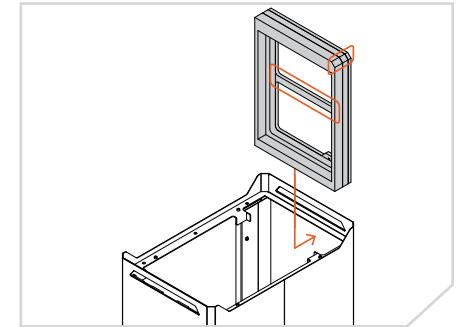
3. If necessary, flush all dirt out of the exhaust hose and the elbows.



**Attention:** Allow the exhaust hose to dry completely before the next use so that no moisture gets into the Air Filter System.

4. Check how far your filters are clogged. Change them if necessary. For more information on changing the filters, see [Section 6.2 Changing the filters](#).

5. If necessary, remove the foam holder of the pre-filter and clean the housing here as well. Then put the foam holder back into the housing the right way round. The flattened corner must be at the top right and the cross strut must be against the housing wall.



### Repair

Repair of the Air Filter System by the user is not intended. To ensure that your Air Filter System is quickly ready for use again in the event of a defect, please contact Customer Service.



In this case, please write an e-mail to the customer service:  
[www.mr-beam.org/support](http://www.mr-beam.org/support)

## 6.2 Changing the filters

Change your filters regularly in order to permanently obtain high-quality work results from your Air Filter System. Before starting to change the filters, disconnect all connections of the device.

Change the pre-filter mat when it has lost its pink color. Change the main filter when the fins under the grid show a yellowish or brownish color. The software displays a

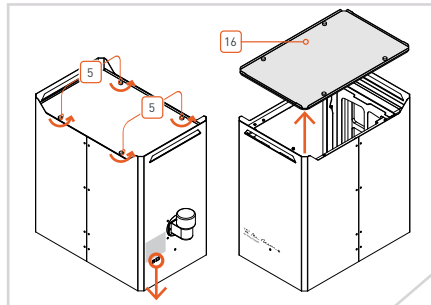
guide value on the status of the filters. If a lower extraction rate or increased smoke or odour formation is noticeable, the filters must be checked manually.



Pre-filter mat as well as main filter are available at Mr Beam Online Shop: [www.mr-beam.org/af3filter](http://www.mr-beam.org/af3filter)

### Remove protective cover

1. Remove all cables of the Air Filter System.
2. Unscrew the locking screws [5].
3. Remove the cover [16] of the Air Filter System.

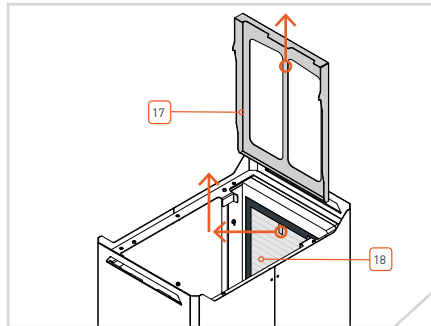


### Remove filter



**Caution:** Wear gloves, safety glasses and a respirator to protect yourself from the dusts for the following steps.

1. Remove the main filter to be able to reach the pre-filter.
2. Remove the pre-filter lock [17] by pulling it upwards.
3. Remove the pre-filter [18] using the tabs provided.



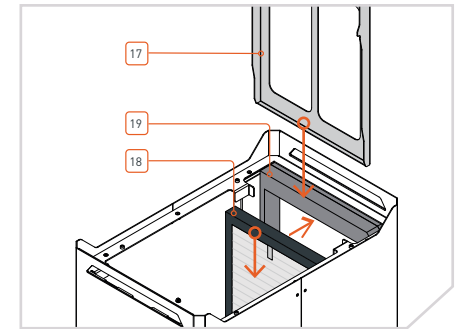
**Note:** Pack old filters in the plastic bag of the new filter to avoid stirring up particles. Dispose of them according to local disposal regulations.



## 6.2 Changing the filters

### Insert Pre-filter mat

1. Place the pre-filter [18] vertically in the foam holder [19] provided for it.
2. Hook the pre-filter lock [17] by pushing it down behind the screw heads until it engages.

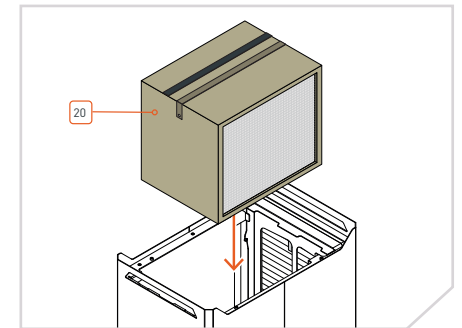


### Insert main filter

1. Place the main filter [20] in the housing of the Air Filter System. To do this, lift it only by the carrying strap.

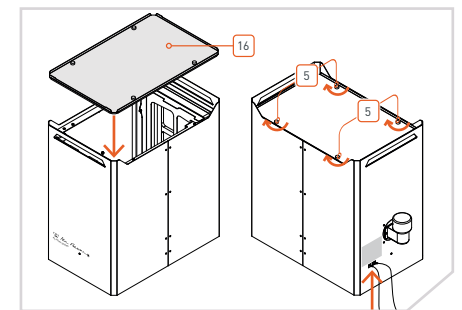


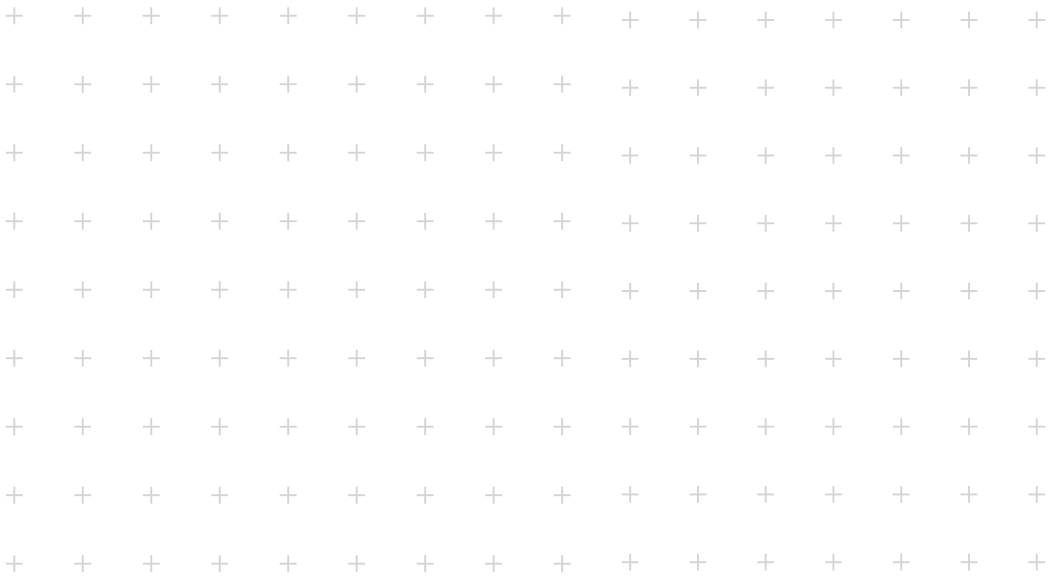
**Note:** Make sure that the surface of the main filter is flush with the housing. If it is still a little crooked in the housing, you will have to lift it a little to straighten it.



### Close housing

1. Attach the cover [16].
2. Close the housing with the four locking screws [5].
3. Connect all cables to the housing of the Air Filter System.






## 7.1 Technical data

|                                           |                    |
|-------------------------------------------|--------------------|
| <b>Dimensions Air Filter System (ca.)</b> |                    |
| Width/Depth/Height                        | 335 x 525 x 565 mm |
| Weight                                    | 19 kg              |
| Sound level maximum                       | < 58 dB (A)        |
| <b>Air Filter Controller</b>              |                    |
| Width/depth/height (with button)          | 77 x 56 x 32 mm    |
| Weight                                    | 59 g               |
| Display size                              | 1,28"              |
| <b>Environmental conditions</b>           |                    |
| Ambient temperature                       | 5 - 30 °C          |
| Humidity                                  | 10% - 60%          |
| <b>Power supply</b>                       |                    |
| Operating voltage                         | 19 V               |
| Power consumption                         | 90 W               |

### Section 07

# ADDITIONAL INFORMATION

 **Note:** Technical changes are reserved.



## 7.2 Storage & Transport / Support

### Storage & Transport

For the following subitems, the guidelines from [Section 4 Setup](#) must be observed in each case. In particular, the temperature and humidity values must not lie outside the specified range.



**Note:** Please retain the original packing and padding material in order to be able to ship the Air Filter System in this case.

- » If your Air Filter System will be unused for a shorter period of time (for example, a vacation trip), we recommend covering it to protect it from dust and other contaminants.
- » Disconnect all cables and the exhaust hose before packing the Air Filter System to prevent them from being damaged.
- » The Air Filter System may only be transported, shipped and stored for longer periods in its original packaging and original cushioning material. Do not expose the Air Filter System to high temperature and humidity fluctuations during this time.
- » The Air Filter system must not be thrown, bumped, shaken or subjected to other mechanical stresses. Check the correct fit of the pre-filter and main filter before commissioning after transport.



**Caution:** If one of the filters has slipped and the Air Filter System is started up without being checked, the exhaust air may escape unfiltered. This can result in personal injury as well as property damage.

### Mr Beam Support

If you need help troubleshooting a problem, contact customer service at any time at: [www.mr-beam.org/ticket](http://www.mr-beam.org/ticket)

Please first read the operating instructions completely and install the latest software update before contacting customer support.

## 7.3 Disposal

### Dismantling, disassembling

The Air Filter System can be disposed of as a complete unit. You therefore do not need to disassemble or dismantle it before disposal. Only the cables and suction hoses can be handed over separately from your Air Filter System to the electronic waste collection point. Please observe the relevant guidelines in your country. If disassembly or dismantling of the unit is required, please contact Mr Beam Lasers GmbH. As described in [Section 3 Safety and Conformity](#), disassembly of the Air Filter System by the user is not intended.

### Disposal, environmental aspects

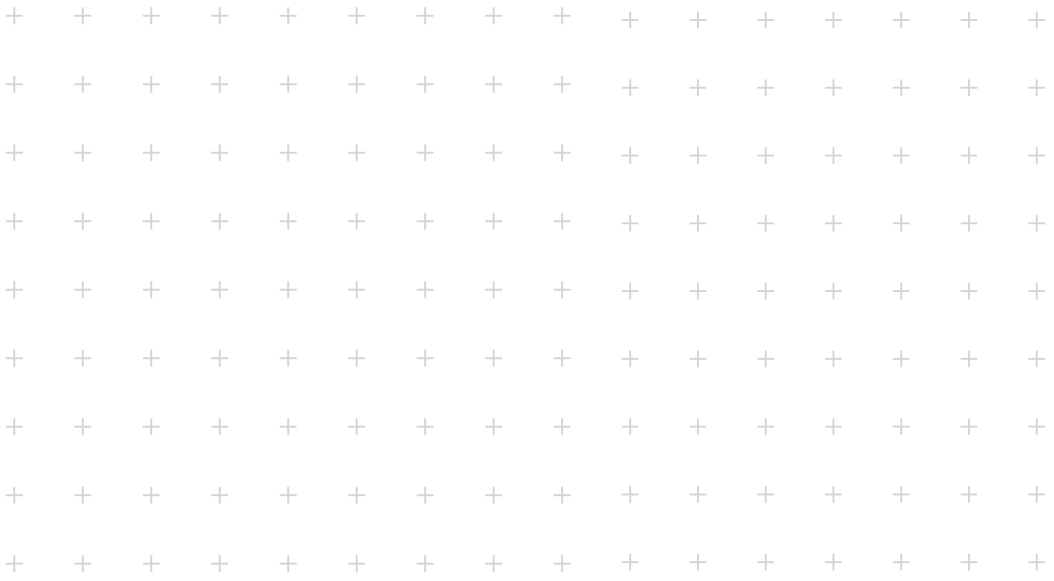
The Air Filter System may be used in accordance with local laws and regulations not be disposed of in household disposed of with household waste.



Your Air Filter System is an electronic device and must be disposed of in accordance with the directive on waste electrical and electronic equipment of the respective country via the local collection points for waste electronic equipment.

If you have any further questions, please contact Mr Beam Lasers GmbH.

WEEE Number: [DE17853778](#)



## Section 08

# GENERAL TERMS AND CONDITIONS

## 8.1 General Terms and conditions

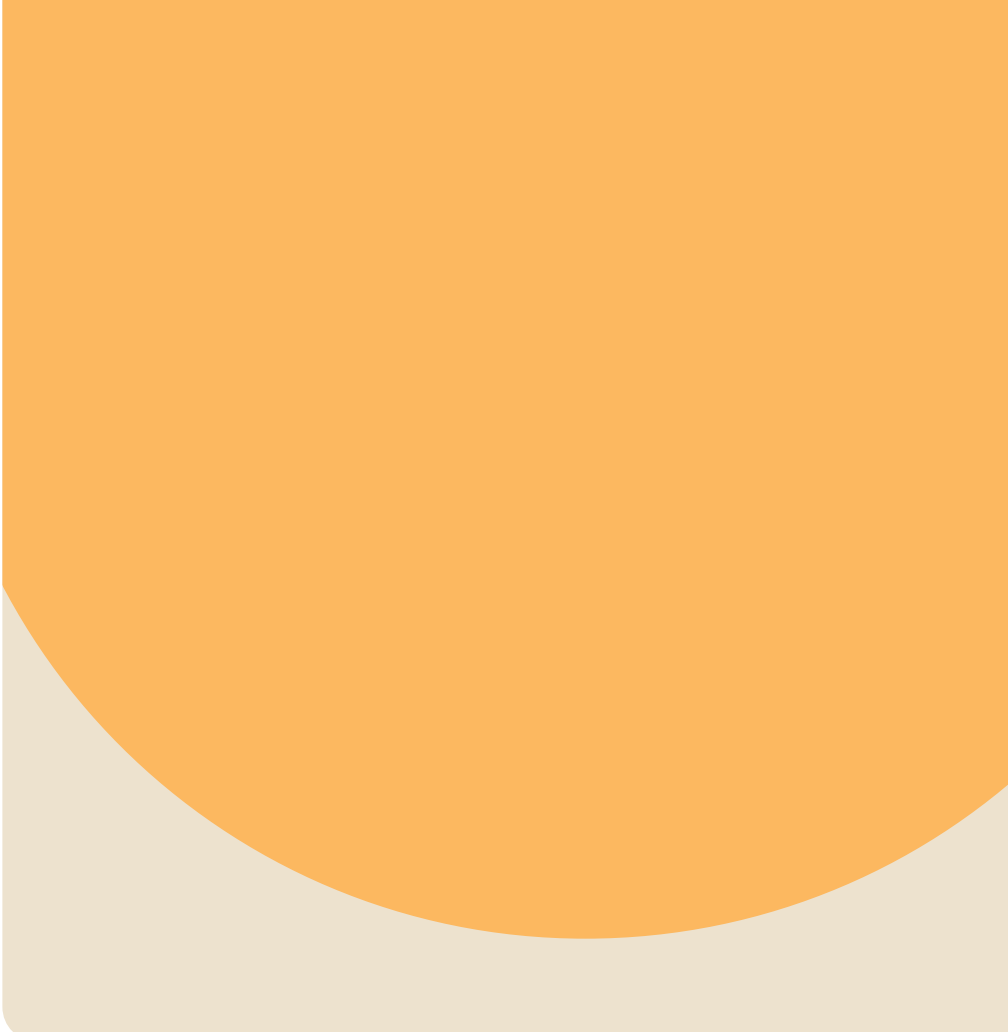
The latest applicable general terms and conditions, as well as the warranty conditions of Mr Beam Lasers GmbH, can be found at:

[www.mr-beam.org/policies/terms-of-service](http://www.mr-beam.org/policies/terms-of-service)

## 8.2 Contact addresses

|                 |                                                                                           |
|-----------------|-------------------------------------------------------------------------------------------|
| Address         | Mr Beam Lasers GmbH<br>Gollierstr. 70<br>80339 Munich<br>Germany                          |
| Mr Beam Support | <a href="http://www.mr-beam.org/ticket">www.mr-beam.org/ticket</a>                        |
| Instagram       | <a href="https://www.instagram.com/mrbeamlasers/">instagram.com/mrbeamlasers/</a>         |
| Youtube         | <a href="https://www.youtube.com/@MrBeamLasers">youtube.com/@MrBeamLasers</a>             |
| Facebook        | <a href="https://www.facebook.com/mrbeamlasercutter/">facebook.com/mrbeamlasercutter/</a> |
| Twitter         | <a href="https://twitter.com/MrBeamLasers">twitter.com/MrBeamLasers</a>                   |

Changes and errors excepted.



You can find us on many social media using the hashtag [#madewithmrbeam](#) such as Instagram, Twitter [X] or Facebook, with inspiration from other members of the Mr Beam community. Naturally, we would also be happy if you share your works there and tell your friends about it. We are curious to see how you use your Mr Beam and what you will create with it!

