

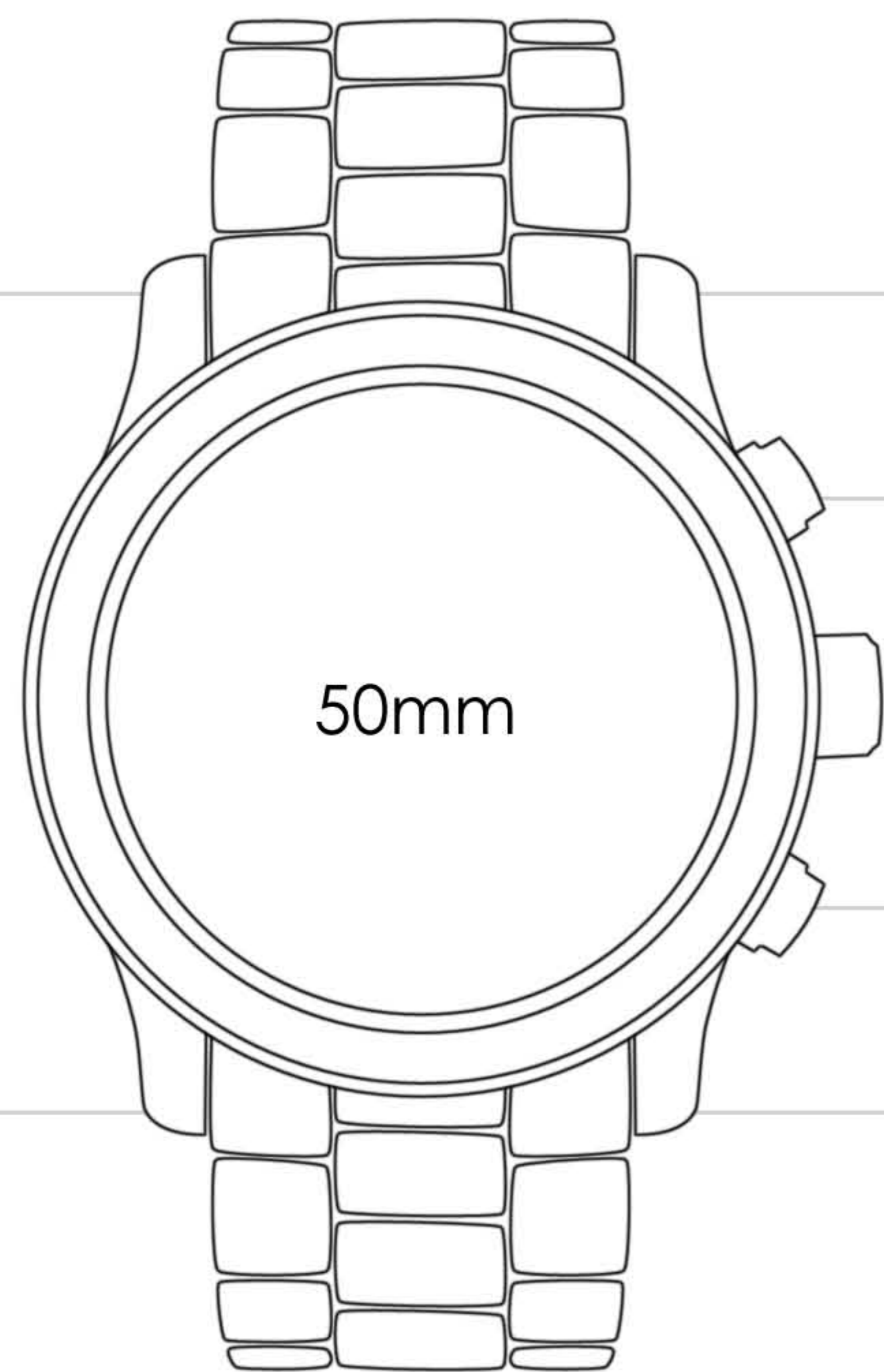
ROOK JAPAN

JDM & Luxury Watch

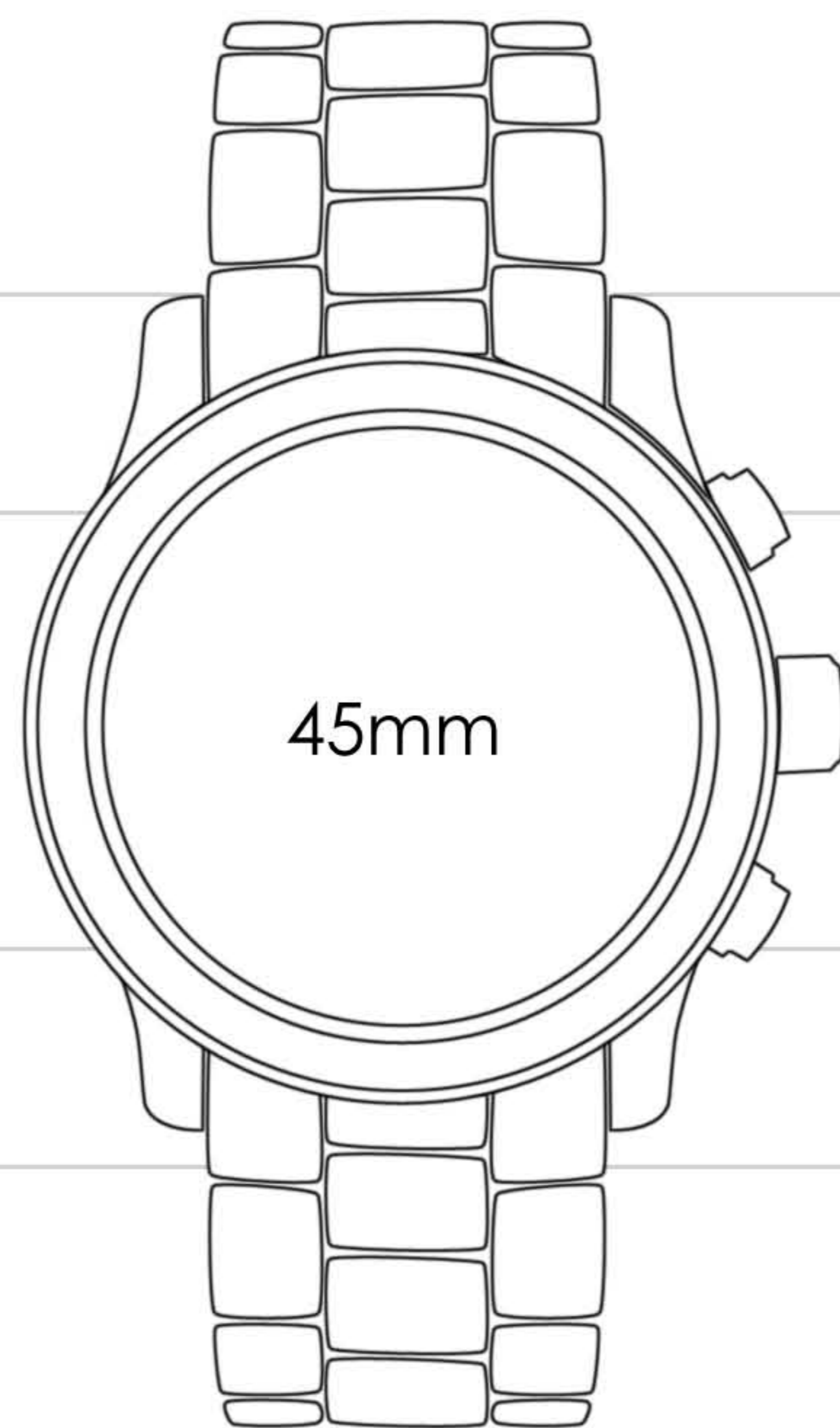
Watch Fit Guide for Women & Men

We created this printable size guide for your convenience. To determine the scale that looks best on you, print this PDF at 100% for accurate sizing. Then, cut at your preferred size option and hold it against your wrist.

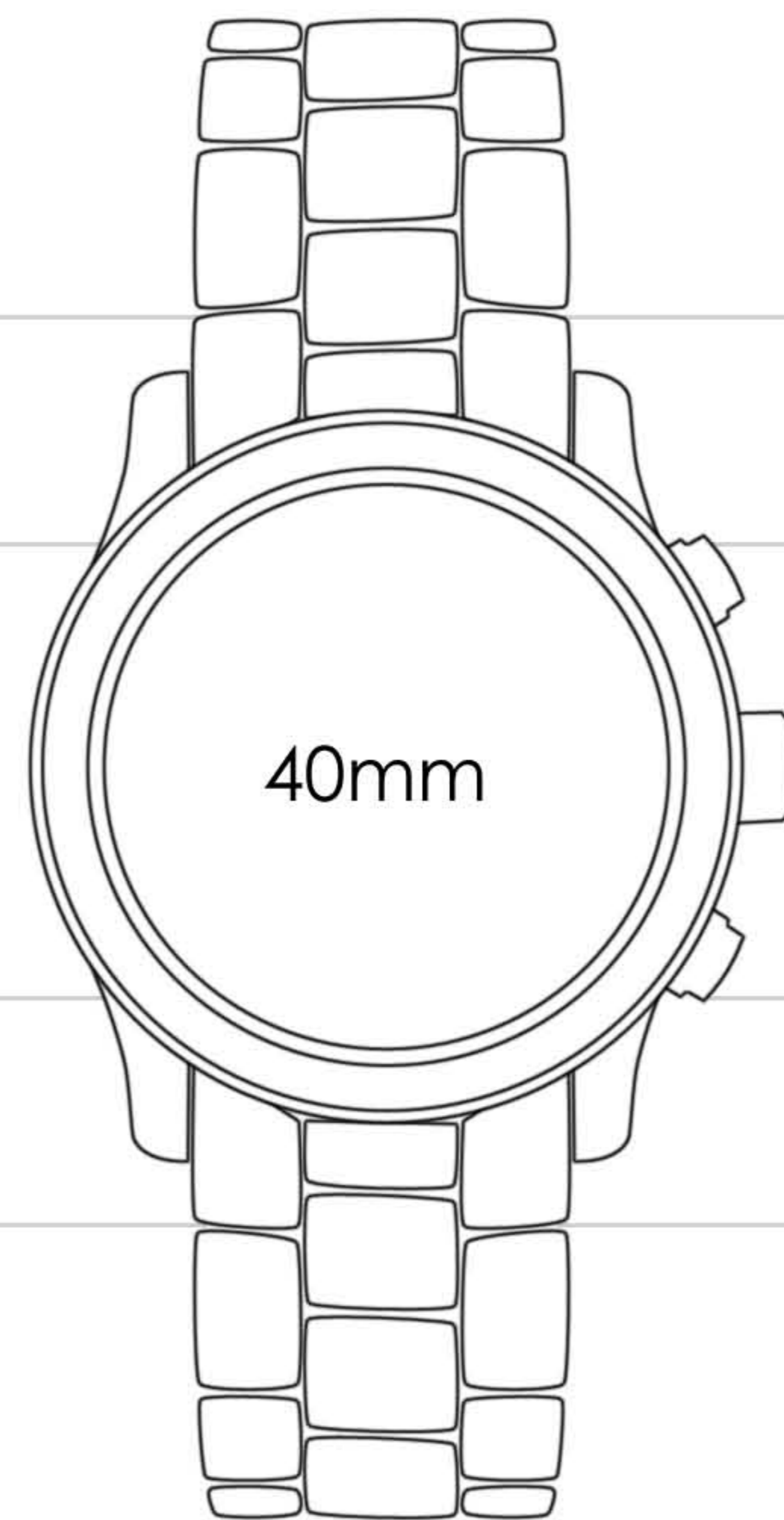
2 INCHES



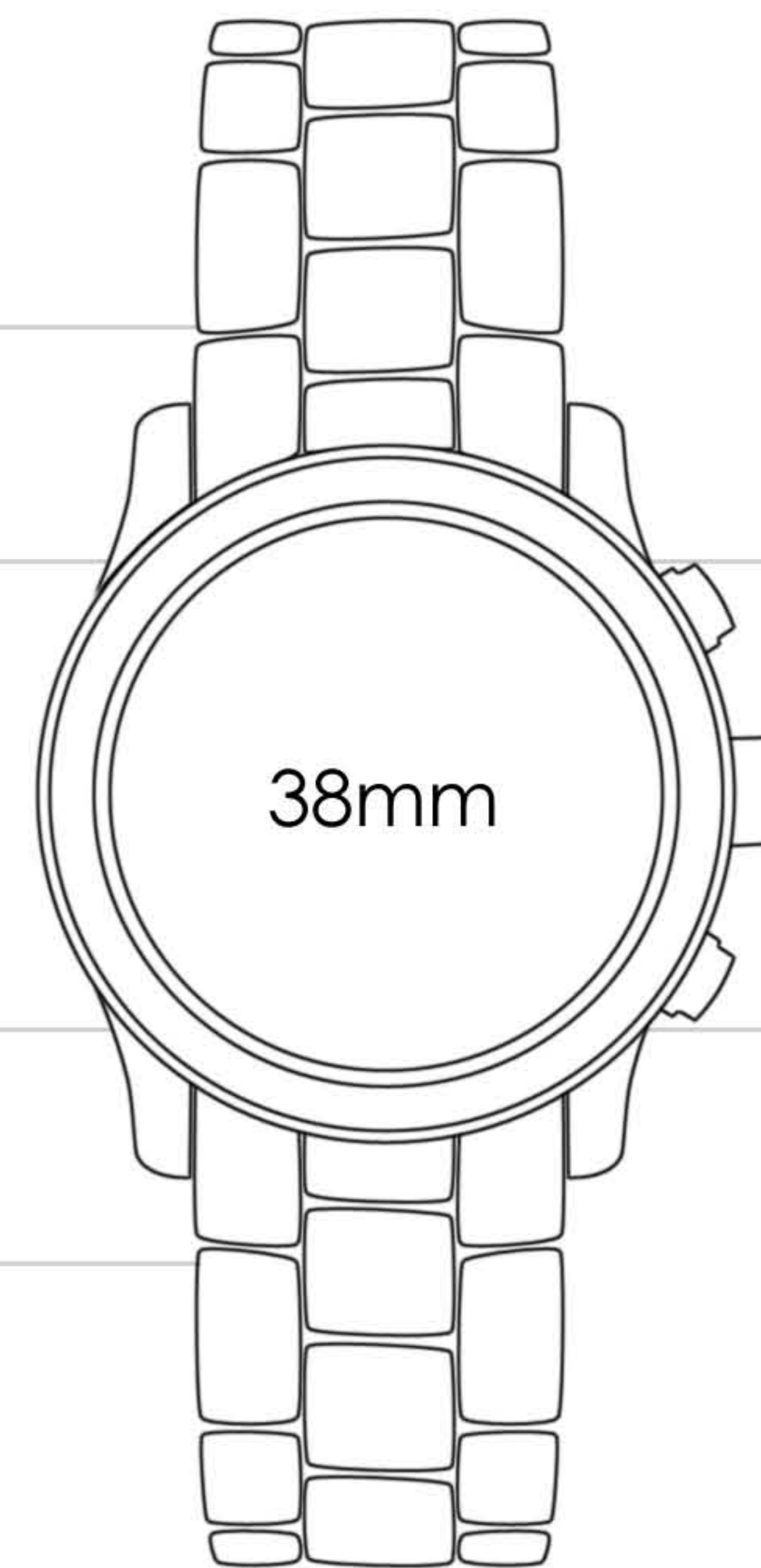
45mm



40mm

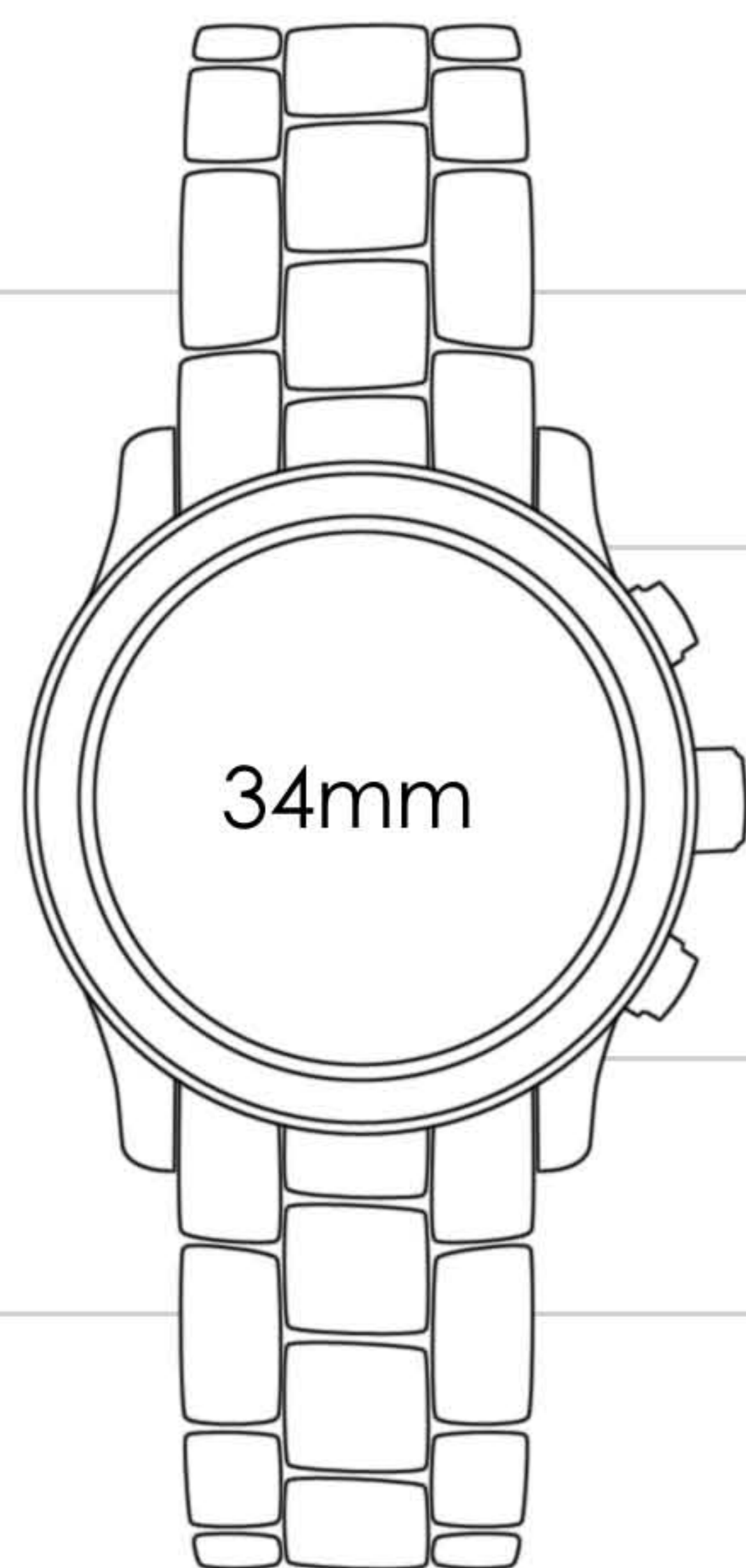


38mm

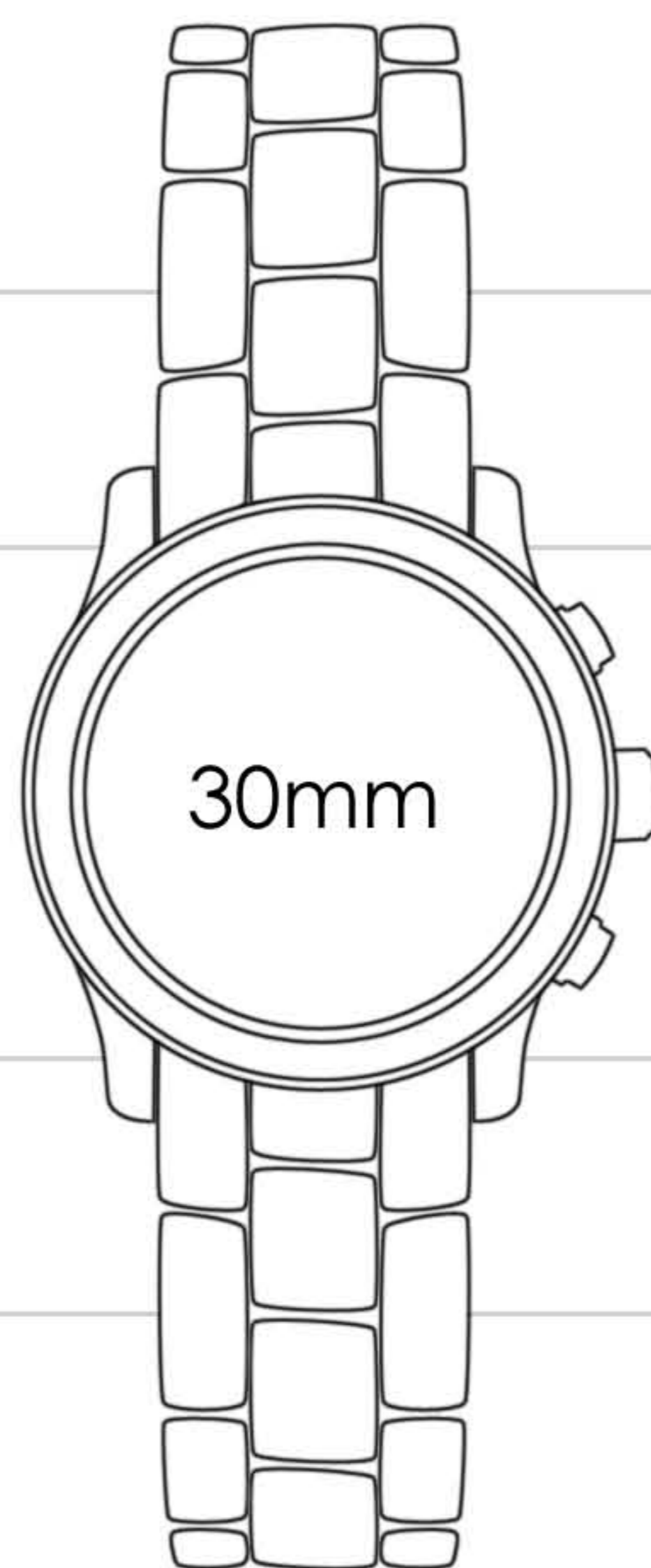


1 INCH

2 INCHES



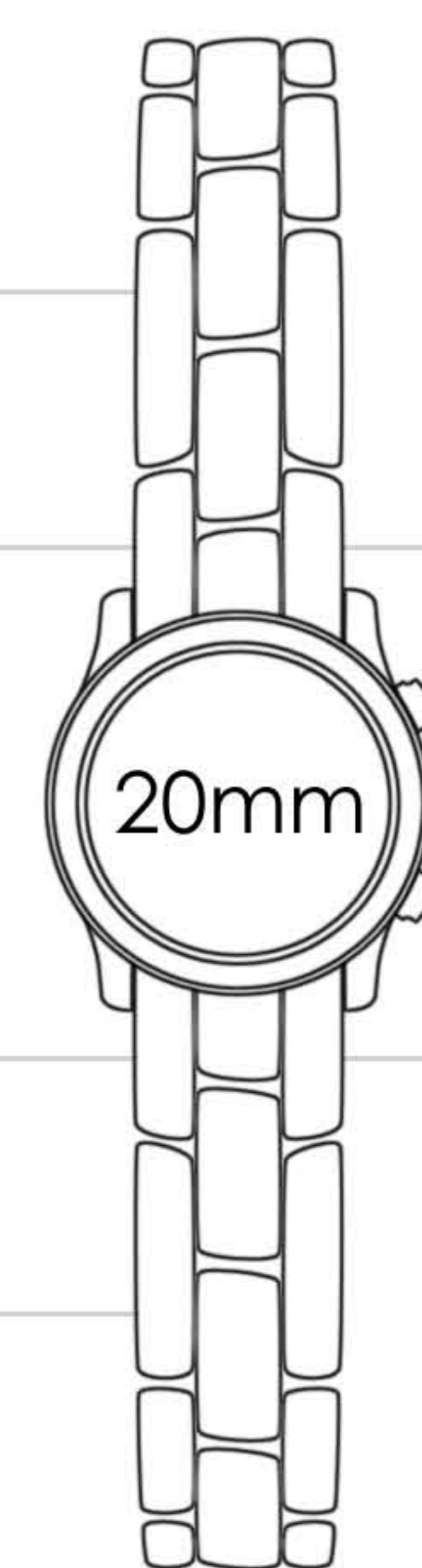
30mm



24mm



20mm



1 INCH