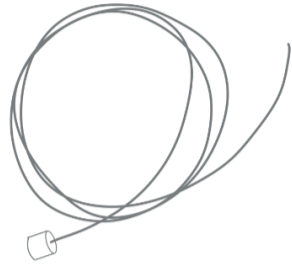


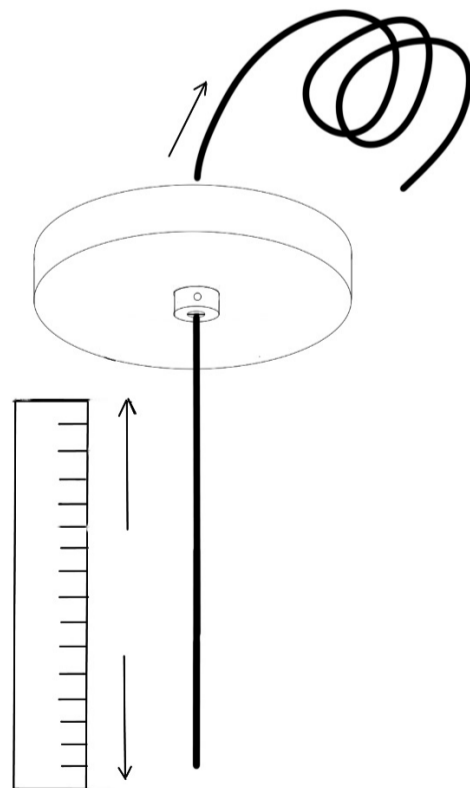
1

Carefully unspool coaxial cable to avoid kinks in the line.

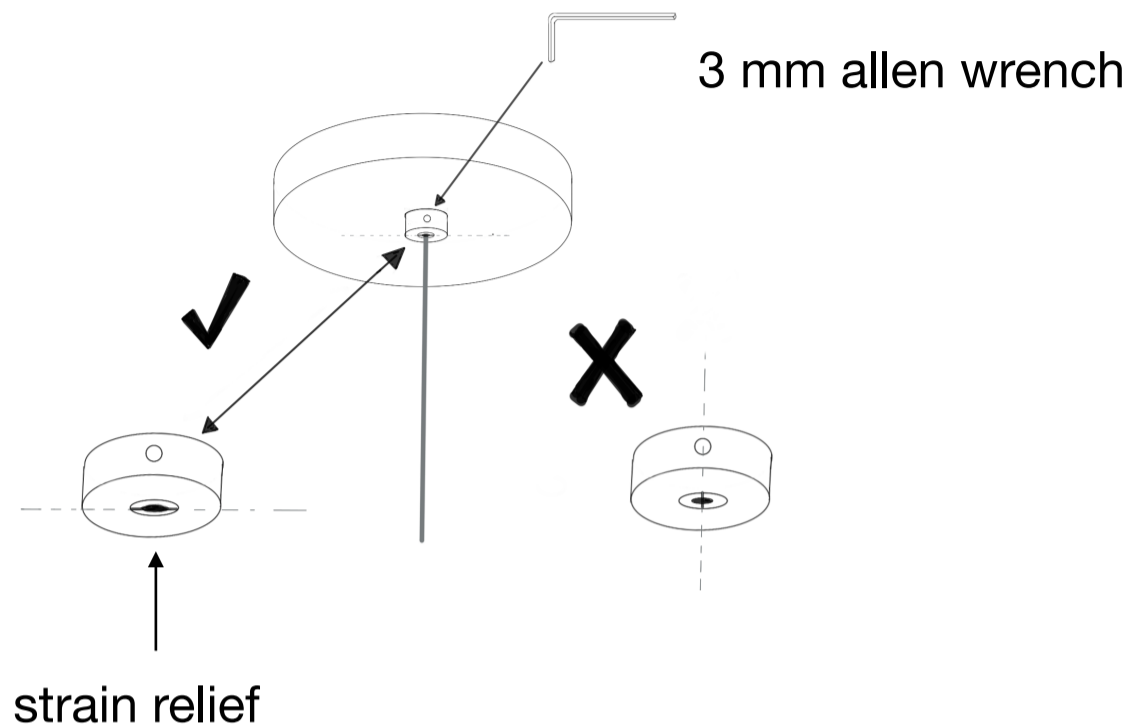


2

Measure the length of how far to lower the pendant light fixture from canopy to glass lamp shade. Feed the excess cable through the top canopy.



3

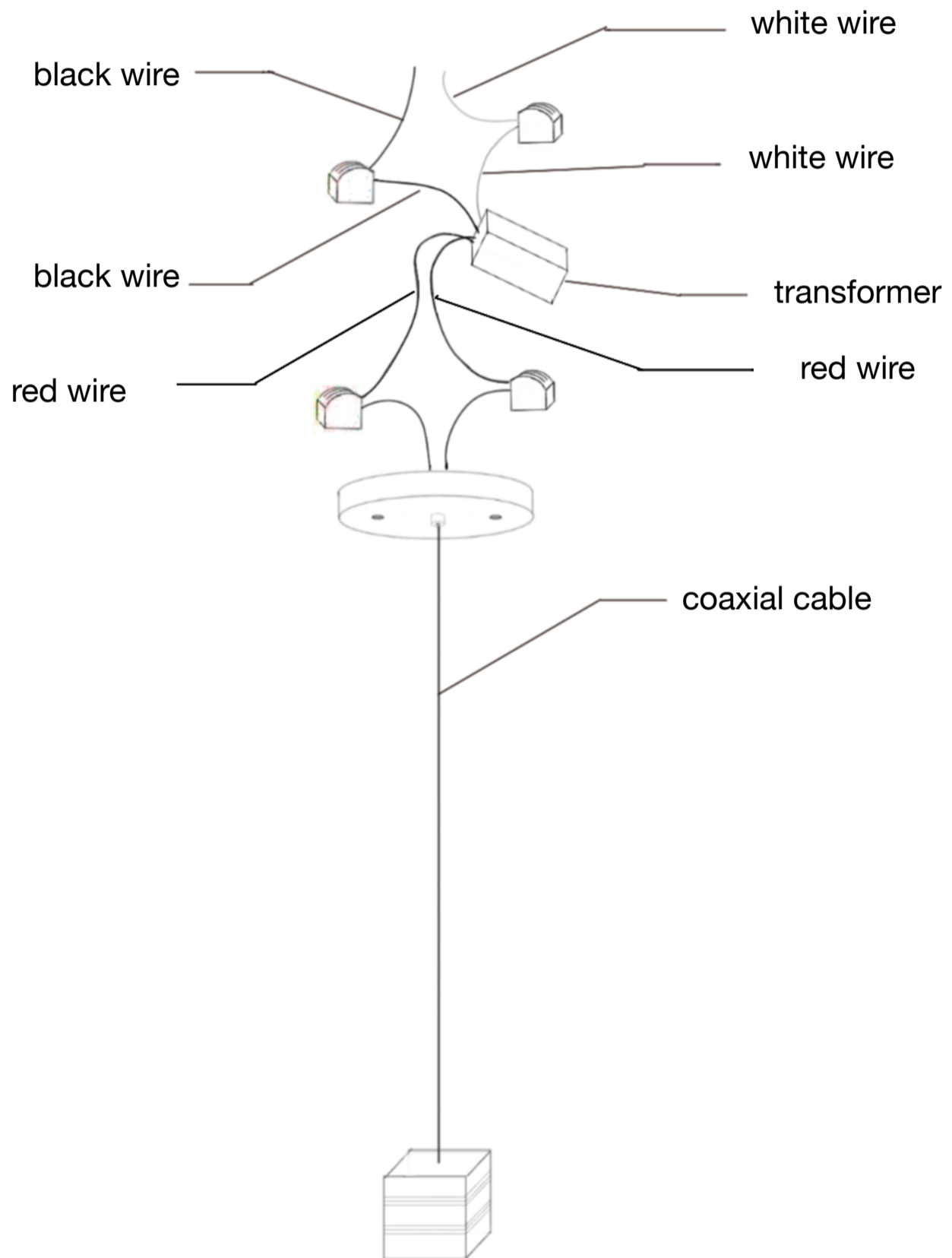


- Important to pay attention to the strain relief when tightening the set screw.
- The strain relief is a black plastic collar that fits around the coaxial cable.
- The opening of the strain relief has a slot and it is essential the slot is positioned 90 degrees from the set screw.
- This is critical to avoid the set screw coming into direct contact with the coaxial cable. **FAILURE RISKS ELECTRICAL SHORT**
- Use 3 mm allen wrench to tighten set screw to hold the strain relief to secure the coaxial cable. Do Not Over Tighten.
- Give the coaxial cable a tug to ensure it is secure.

4

MAKE SURE POWER SUPPLY TO JUNCTION BOX IS  
TURNED OFF.

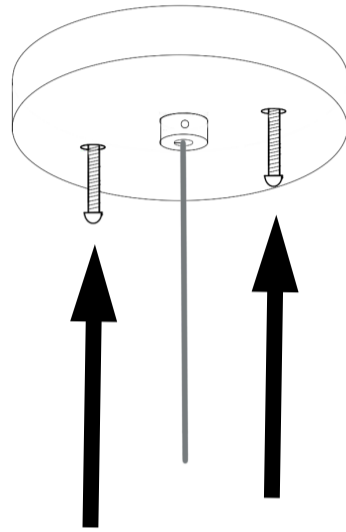
Attach the white wire from the transformer to white  
wire and the black wire to the black wire.



5

Tuck the excess coaxial cable, transformer into the junction box and canopy.

Mount the canopy to the structural support in the junction box using the canopy screws.



6

Plug LED lamp into socket.

**ONLY USE LED BULBS.** Halogen and Xenon bulbs will crack glass pendant.

