



by Fred Silver
& Co., Inc.

LED MIRROR

INSTALLATION GUIDE

ORBIT SERIES, ORBIT+ SERIES

IMPORTANT SAFETY INSTRUCTIONS

When using an electrical product, basic precautions should always be followed, including the following:



WARNING

To reduce the risk of burns, fire, electric shock, injury or death, use this product only for its intended use as described in these instructions. Do not use attachments not recommended by the manufacturer. Never drop or insert any object into any opening.
Do not use outdoors.



WARNING

Installation should be done by a licensed professional.
Failure to follow proper installation will void warranty.



WARNING

Risk of electric shock. Connect this product to a properly grounded circuit only. See grounding instructions below.

Grounding Instructions:

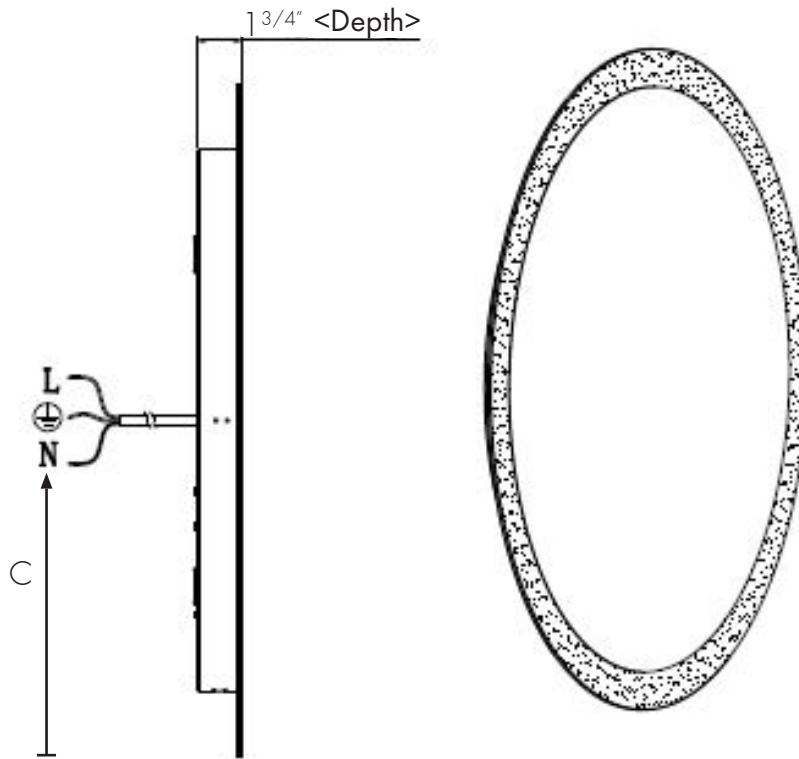
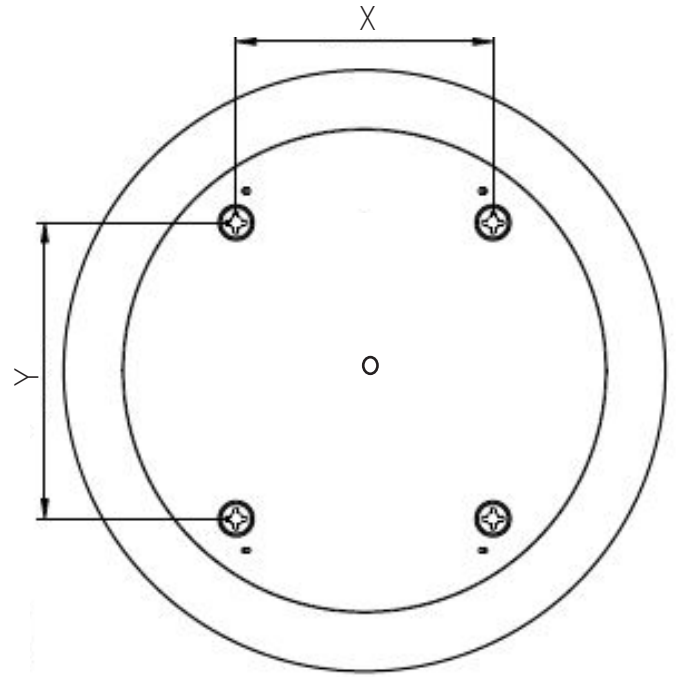
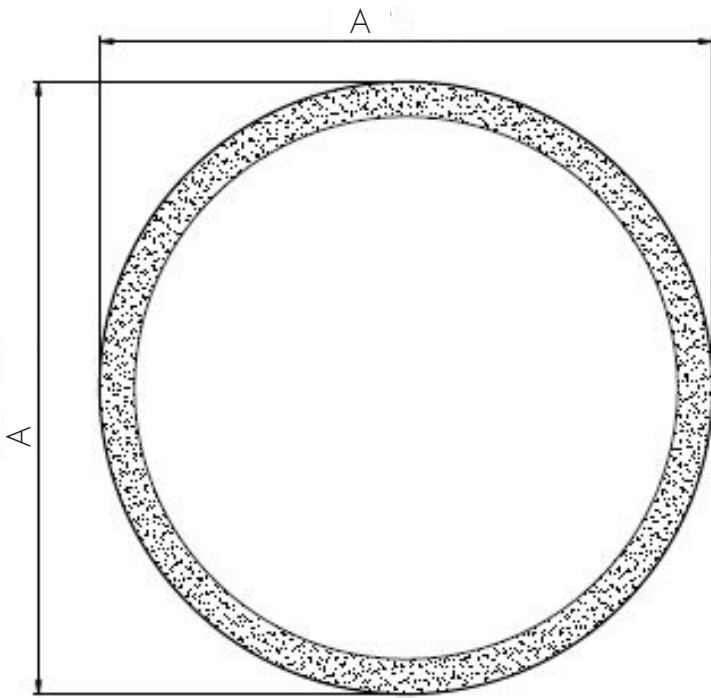
This product must be connected to a grounded metal, permanent wiring system, or an equipment-grounding conductor must be run with the circuit conductors and connected to the equipment-grounding terminal or lead on the product.



WARNING

An electrical option mirror must be wired to a 20 Amp GFI (Ground Fault Interrupter) protected circuit when used in bathrooms and all other locations required by the National Electric Code.

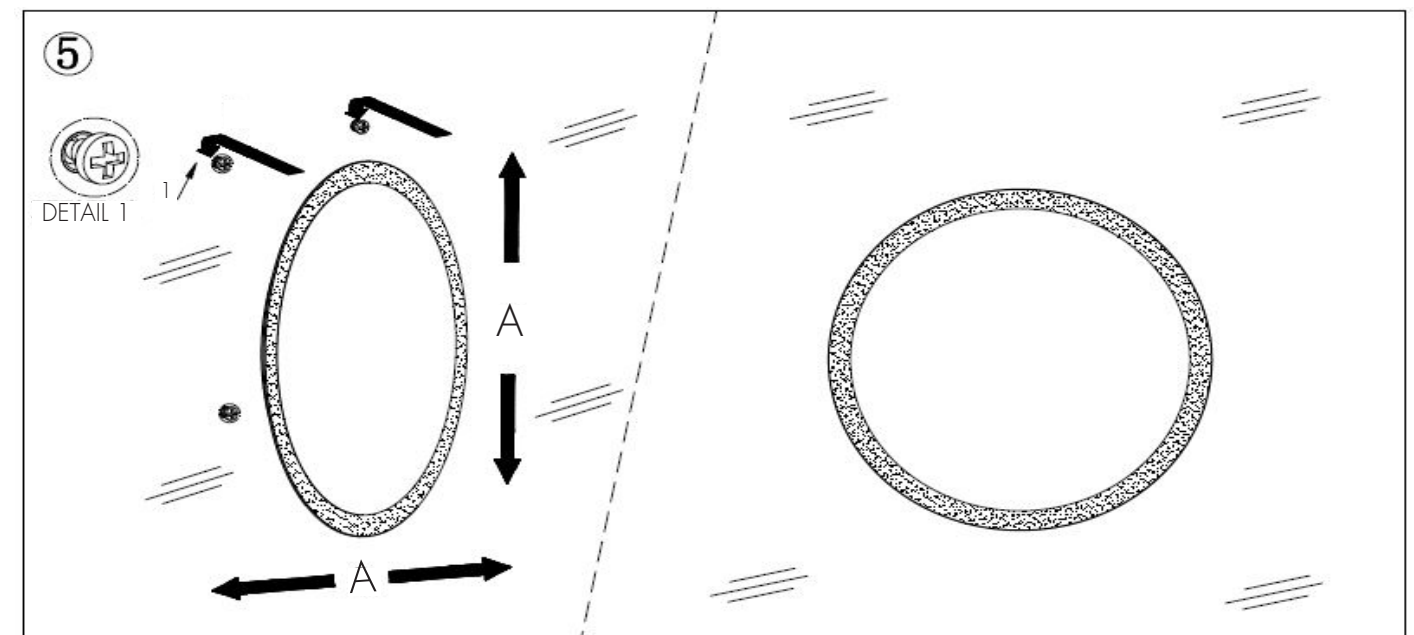
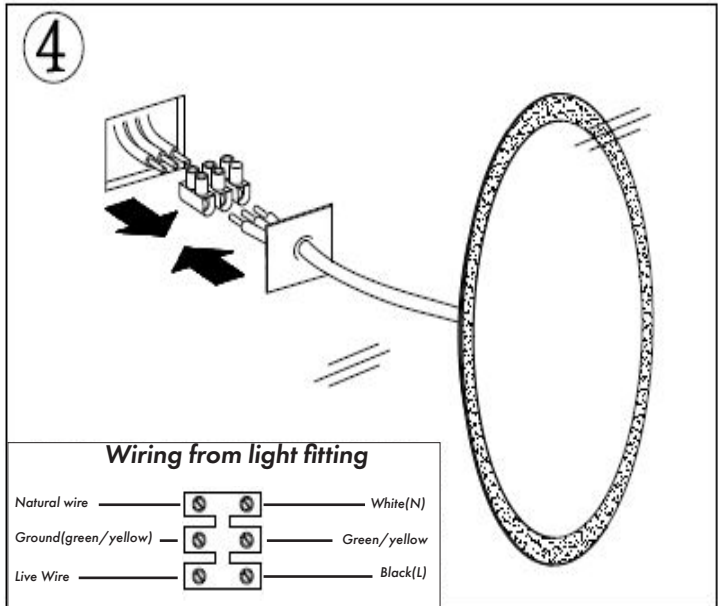
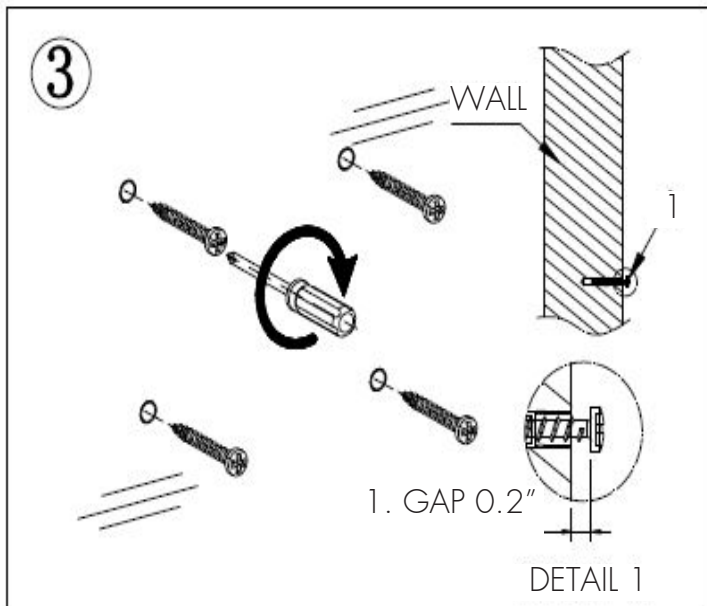
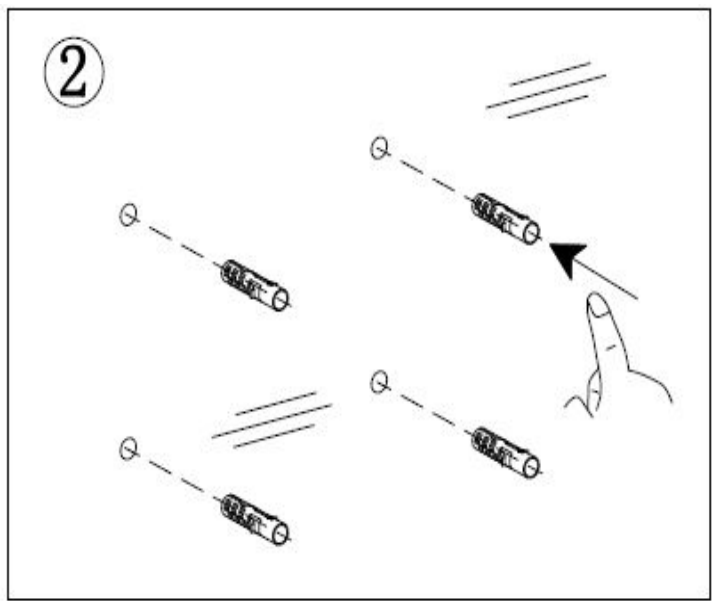
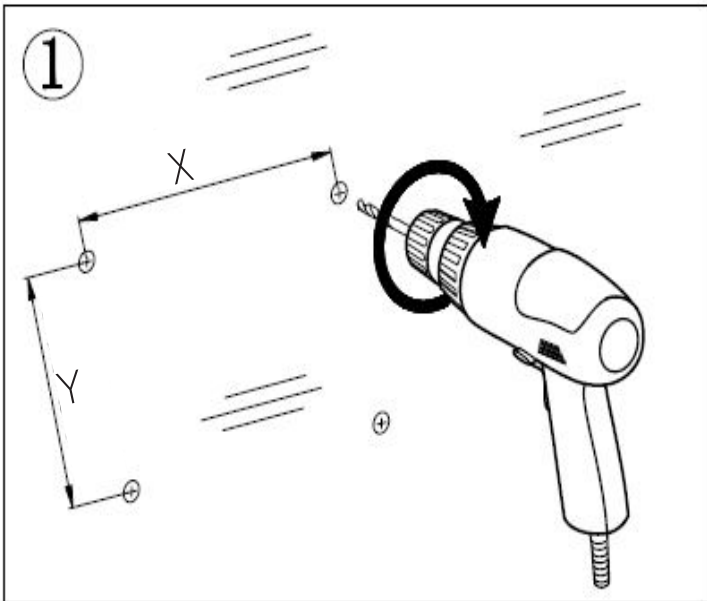
PLEASE SAVE THESE INSTRUCTIONS FOR FUTURE REFERENCE



SIZE GUIDE:

	24"	30"	36"
A	24"	30"	36"
C	12"	15"	18"
X	10 1/4"	16 1/4"	22 1/4"
Y	11 5/6"	17 5/6"	23 5/6"

A - Mirror's Diameter | **C** - Distance from Mirror Frame to Electrical Box
X - Distance Between Top Bolts | **Y** - Distance Between Bottom Bolts



FINAL ASSEMBLY

How to use Defogger Feature and Dimmer Switch:

*** if applicable*

When mirror is illuminated, the defogger feature is activated.

Touch the dimmer switch to turn the light on or off. Press and hold the dimmer switch to dim or brighten the lights. The dimmer switch stores the current light level intensity when switched off and on.

Use and Maintenance:

CLEANING A STANDARD MIRROR SURFACE:

- Mirror and mirror body are constructed of mirrored glass and aluminum. Use a damp cloth to clean your mirror. Do not use any abrasive material as it may damage the surface and finish of the mirror.
- A mild detergent may be used to clean the surfaces of the mirror.
- When cleaning, spray the cloth, not the mirror or surrounding surfaces.



by Fred Silver
& Co., Inc.