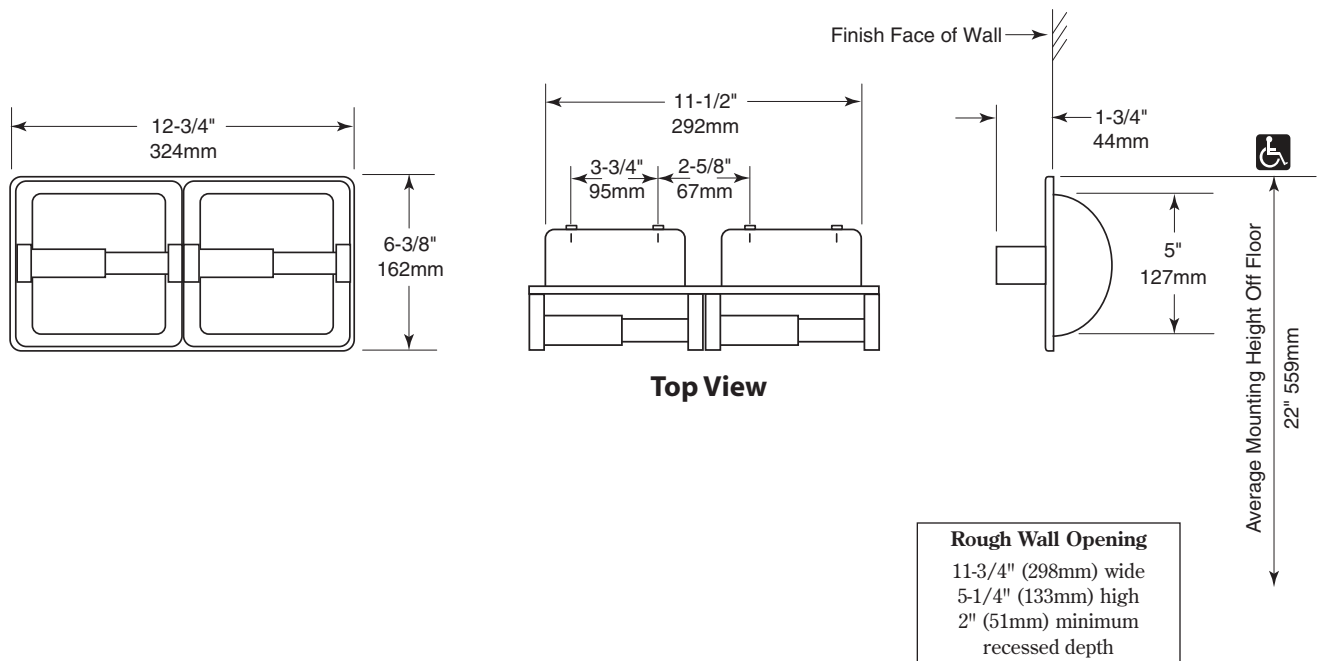


OPTIONS: *add suffix:*
 -SF satin-finish



CONSTRUCTION:

Stainless steel recess shells are stamped from 22-gauge (0.8mm) corrosion resistant type 304 stainless steel and are polished or stained. Projecting posts are die cast from highest quality virgin zinc alloy zamak to meet ASTM standard B-86. Castings are highly polished and plated with chrome or satin chrome. Roller material as listed under each model number. All rollers are spring actuated. Recess shells are pre-assembled using a 14-gauge (2mm) galvanized steel clip and 4 machine screws.

CAPACITY:

Holds two standard core toilet tissue rolled up to 5-1/4" (133mm) diameter.

NOTES:

If wood blocking is available, install recess shell into opening using 4- #8 x 1-1/4" (32mm) flathead stainless steel screws provided.

Recessed Double Toilet Tissue Holder shall be Model 212 DBL of Gamco Commercial Restroom Accessories, A Division of Bobrick, Durant, OK