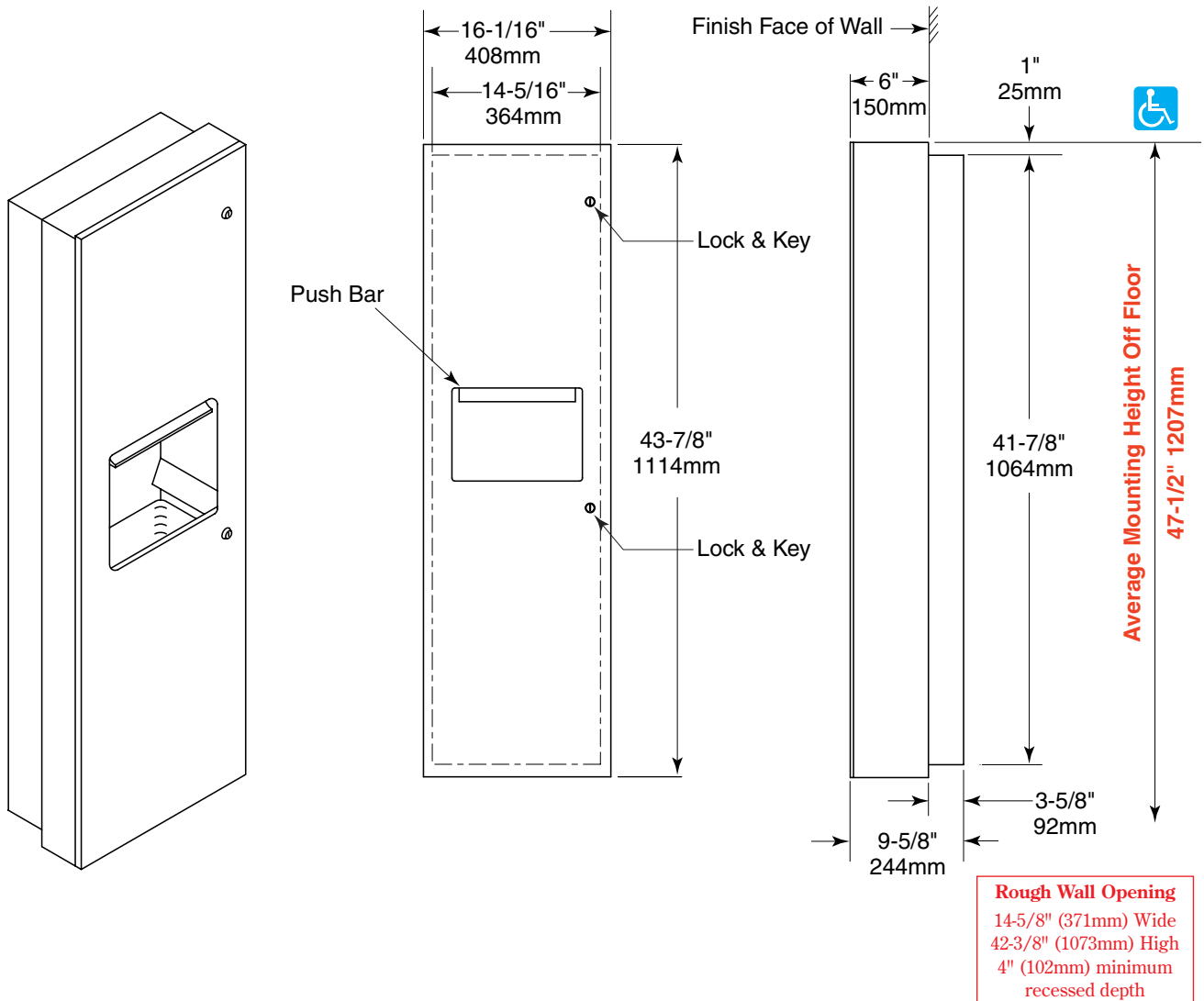


Date:

Project Name:



CONSTRUCTION:

Unit fabricated of type 304 stainless steel with exposed surfaces having a satin-finish. One piece seamless door construction, EXTRA HEAVY 18-gauge (1.2mm) with 5/8" (16mm) return for rigidity. Door is mounted to cabinet with continuous stainless steel piano hinge and fitted with two tumbler locks; keyed like other GAMCO washroom accessories. Removable stainless steel waste container. All welded construction.

CAPACITY:

Accepts universal roll paper: 7-3/4" to 8" (197 to 203mm) wide up to 8" (203mm) in diameter. 1-1/2" to 2" (38 to 51mm) core. Waste capacity is 8-1/2-gallons (32-L).

OVERALL DIMENSIONS:

16-1/16" W x 43-7/8" H x 9-5/8" D (408 x 1114 x 244mm)

Semi-Recessed Coverall Roll Towel Dispenser and Waste Receptacle Push Bar Roll Towel Dispenser shall be Model TW-12RPF of Gamco Commercial Restroom Accessories, One Gamco Place, Durant, OK, 74701-1910