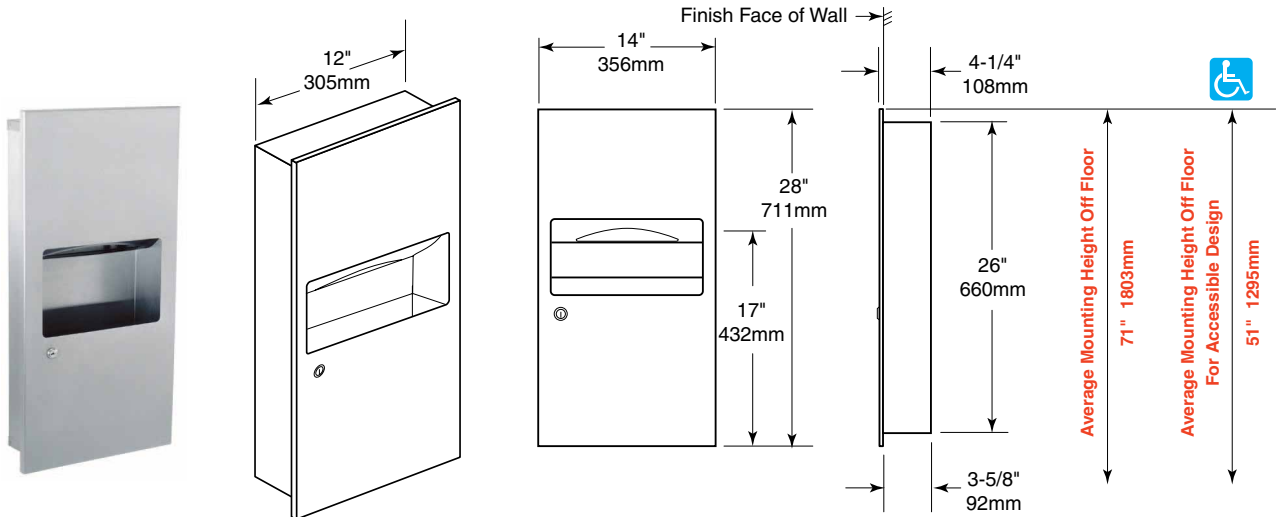


Date:

Project Name:

TW-8F with 2" (51mm) skirt for semi-recess
TW-8FS with 4" (102mm) skirt for surface-mounting



Rough Wall Opening
12-1/2" (318mm) Wide
26-1/2" (673mm) High
3-3/4" (95mm) minimum
recessed depth

CONSTRUCTION:

Unit fabricated of type 304 stainless steel. All welded construction with exposed surfaces having a #4 satin-finish. One piece seamless door construction. EXTRA HEAVY 18-gauge (1.2mm) with 5/8" (16mm) return for rigidity. Plastic inner container capacity 1.27-gallons (4-L). 300 C-fold or 400 multi-fold towels. Door is mounted to cabinet with continuous stainless steel piano-hinge and fitted with tumbler lock. All welded construction.

INSTALLATION:

Provide framed wall opening. Recessed depth required from finish face of wall is 4" (102mm). Check plans and coordinate with mechanical engineer to avoid protrusion from opposite wall, pipes, conduits, electrical wiring etc. If installing in plaster wall, recommend grounding. If installing where unit projects above top of wainscot, provide filler to prevent gap from finished wall and flange of unit. If installing in block walls, use metal expansion shields. 1/8" (3mm) gap recommended between units for door clearance.

OVERALL DIMENSIONS:

14" W x 28" H x 4-1/4" D (356 x 711 x 108mm)

ADA GUIDE:

Access to paper towels should be 15" to 48" (381 to 1219mm) above the finish floor to allow forward and side reach by people in wheelchairs. Units should not project more than 4" (102mm) from the wall.

Coverall Mini-Towel Dispenser and Waste Receptacle Combination shall be Model TW-8 of Gamco Commercial Restroom Accessories, One Gamco Place, Durant, OK, 74701-1910