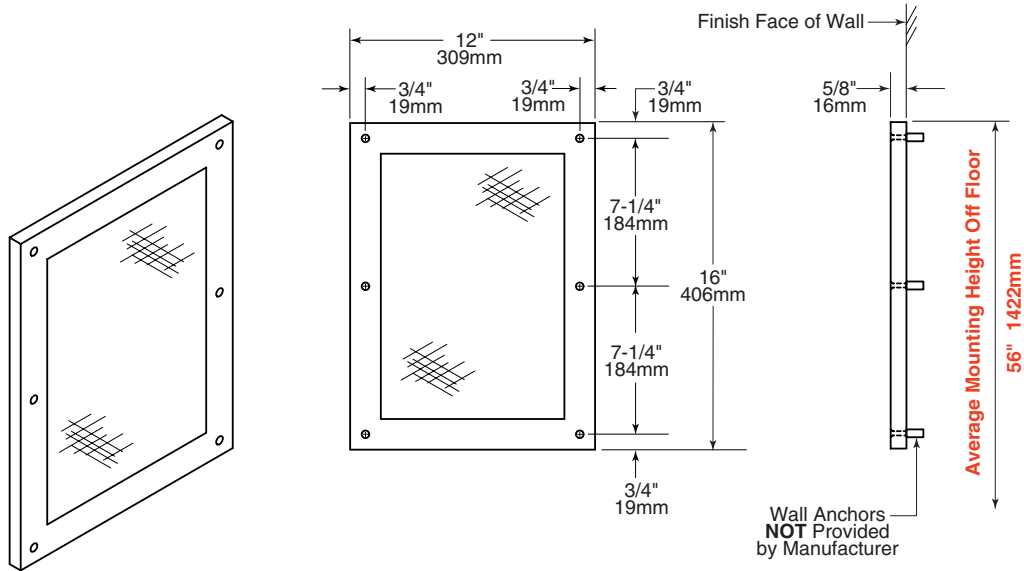


Date:

Project Name:



CONSTRUCTION:

Frame fabricated of 18-8 type 304 14-gauge (1.9mm) stainless steel with exposed surfaces having a #4 satin-finish. All welded construction. Corners are welded and ground smooth. Six (6) countersunk holes provided for installation. Mirror is type 430 stainless steel with bright-polished finish.

INSTALLATION:

Secure mirror to wall using six (6) 1/4"-20 x 1-1/2" long spanner head screws provided. Expansion shields for wall not furnished by manufacturer. Mirror is replaceable in field.

NOTE:

Type 430 stainless steel with bright-polished finish differs in color and reflective quality than standard mirror glass. Call factory for other reflective surfaces available.

ADA GUIDE:

Access to mirrors should be 40" (1016mm) from bottom edge of reflective surface to the finish floor. Full length mirrors will accommodate all facilities.

Maximum Security Front-Mounted Framed Mirror shall be Model MSA-11-Series of Gamco Commercial Restroom Accessories, One Gamco Place, Durant, OK, 74701-1910