



Metro Series Features - Soap and Faucet

- Refined, cylindrical design pairs with Verge™ faucet model S53-3300
- Matching soap and faucet designs that integrate seamlessly with Bradley lavatories**
- Chrome-plated cast brass construction with optional in-stock PVD finishes*
- Sensing optimized to eliminate false activations and maximize battery life
- Vandal-resistant construction includes concealed sensor package, durable PVD finish options, and anti-rotational gasket/washer
- Patents Pending

Soap Key Features

- Foam or liquid soap options
- Top-fill individual and multi-feed tank options
- Utilizes universal bulk soap
- Vandal-resistant construction
- Multi-station system supplies up to 6 soap dispensers
- Smart Sense System – Elegant translucent ring at the base of each dispenser gives a glowing indication of low battery, low soap, and overflow conditions
- Audible warning to stop filling before overflow occurs
- Spout reach designed to optimize handwashing space
- Touch-free infrared sensor-operated
- Power supply options to meet your application – battery pack or single AC plug-in adapter or AC adapter splitter assembly that accommodates up to 4 devices
- Cast brass spout construction with durable, environmentally-friendly finish*

Specification

Refined, cylindrical design pairs with faucet model S53-3300 and integrates seamlessly with Bradley lavatories**. The dispenser is available with an individual or multi-feed top-fill tank that is compatible with bulk foam or liquid soap. The multi-feed station system supplies soap to up to 6 soap dispensers. Activation through a touch-free infrared sensor that pairs seamlessly with Bradley's faucet dual sensor technology to eliminate false activations and maximize battery life. Dispenser shall feature chrome-plated cast brass construction with optional in-stock PVD finish. Vandal-resistant construction includes concealed sensor package, durable PVD finish options, and anti-rotational gasket/washer.

Overall Spout Dimensions

- Height: 4" (102 mm)
- Width: 1¾" (44 mm)
- Depth: 5½" (140 mm)

Verify all rough-in dimensions prior to installation. Consult local and national codes. Conformity and compliance to local and national codes is the responsibility of the installer.



Capacity




- Individual tank: 70.5 oz (2080 ml) w/ 2850 estimated activations per tank
- Multi-feed tank: 166.5 oz (5026 ml) w/ 6930 estimated activations per tank
- Multi-feed can support up to 6 soap dispensers

Finishes

-  Polished Chrome
-  Brushed Black Stainless*
-  Brushed Stainless*
-  Brushed Bronze*
-  Brushed Brass*
-  Brushed Nickel*

* PVD Finish, see PVD Finish section on Page 2.

Product Compliance

-  ADA / ICC ANSI A117.1, Citation 309.4
-  UL electrical components
-  CE electrical components

Compatible Bradley Products

- [Verge Faucet – Metro Series](#)
- [Verge Lavatory Systems**](#)
- [ELX Lavatory Systems**](#)
- [LD-3010 Lavatory Systems**](#)
- [Multi-Feed Soap Tank Assembly](#)



Operation

Place hands under soap spout and hold for approximately 1.75 seconds. Spout will dispense liquid or foam soap depending on option selected.



- Allows 3 activations per 7.5 seconds.
- Liquid: 0.65 ml to 0.80 ml per activation
- Foam: 0.75 ml (liquid state) to 1.35 ml (foam state) per activation

Sensor Technology

Infrared sensor with 4" (102 mm) activation range† that pairs seamlessly with Bradley's faucet dual sensor technology to eliminate false activations and maximize battery life.

† A minimum of 4" (101.6 mm) clearance between the sensor and surface is needed. Refer to the Mounting instructions for additional information.

Indicator Lights

- Power ON (spout location): Flashes red for 1.2 seconds
- Power ON (multi-feed): Flashes green/red 3 times
- Soap dispense activation: Single flash green light
- Low power indication: Continuously flashing green light
- Low soap level: Flashes red when soap level is below 25% capacity
- Overflow condition: Steady red light with audible indication from buzzer lasts 2.5 seconds when fill level reaches 90% capacity

Power Source

Choose a power supply that meets your application: (Power source is not automatically included with Verge soap dispensers and must be chosen from the list below.)

- Individual battery pack† – each set of batteries can accommodate up to 140,000 cycles
- Individual AC power adapter option for 120V/230V for use on a single device

Ordered separately:

- AC adapter splitter assembly accommodates up to 4 devices. Use when desired to serve in combination of multiple devices (faucet, soap dispenser, and multi-feed soap tank assembly) and/or stations. (Electrical Plug Type B***)

† Quantity (4) D-cell batteries included with battery pack

Mounting

Verify all rough-in dimensions prior to installation. Mount dispenser in 1 $\frac{3}{8}$ " (35 mm) diameter hole in lavatory or countertop 1 $\frac{1}{2}$ " (38 mm) from edge of sink. Shank will accommodate a maximum counter thickness of 1 $\frac{1}{2}$ " (38 mm). In applications where the soap spout is not mounted over a bowl or does not allow for the minimum 4" (102 mm) clearance from the spout's sensor to the surface or bowl, a soap spout spacer is required. Contact Bradley Customer Service in the event a spacer is needed.

Product Materials

- Spout assembly: Chrome-plated cast brass w/ optional in-stock PVD finish
- Control box: ABS plastic
- Battery box: ABS plastic
- Soap tank: Polypropylene

Soap Specifications

- Non-proprietary bulk soap (select foam or liquid)
- Liquid: Viscosity range of 100-5,000 cPs
- Foam: All-purpose foam hand soaps and antibacterial foam soaps containing PCMX and/or Triclosan

* PVD Finish

Physical Vapor Deposition is an intricate, environmentally friendly finishing process that molecularly bonds the finish to the soap dispenser, creating a very hard, durable surface that will not corrode, discolor, or tarnish.

Vandal Resistance

- Concealed sensor package deters vandalism
- Durable PVD finish is scratch resistant
- Anti-rotational gasket/washer
- Tamper resistant screw

Verify all rough-in dimensions prior to installation.
Consult local and national codes. Conformity and compliance to local and national codes is the responsibility of the installer.



Verge™ Deck-Mounted Soap Dispenser – Metro Series

Model 6-3300 Verge Deck-Mounted Soap Dispenser – Metro Series
Required Selections (must select one from each category)
Activation Type (select one) R Infrared Sensor Operation
Soap Type (select one) F Foam L Liquid
Fill System (select one) T Single (Top fill at spout) M Multi-Feed (Shared Tank, Top-Fill Port)
Finish Type (select one) PC <input type="checkbox"/> Polished Chrome BB <input type="checkbox"/> Brushed Black Stainless BS <input type="checkbox"/> Brushed Stainless BZ <input type="checkbox"/> Brushed Bronze BR <input type="checkbox"/> Brushed Brass BN <input type="checkbox"/> Brushed Nickel
Power Supply (select one) A14-029 AC Adapter - Electrical Plug Type B A14-030 Battery Pack (includes 4x D-cell batteries) NONE No Power Supply Provided – must purchase A14-031 separately***

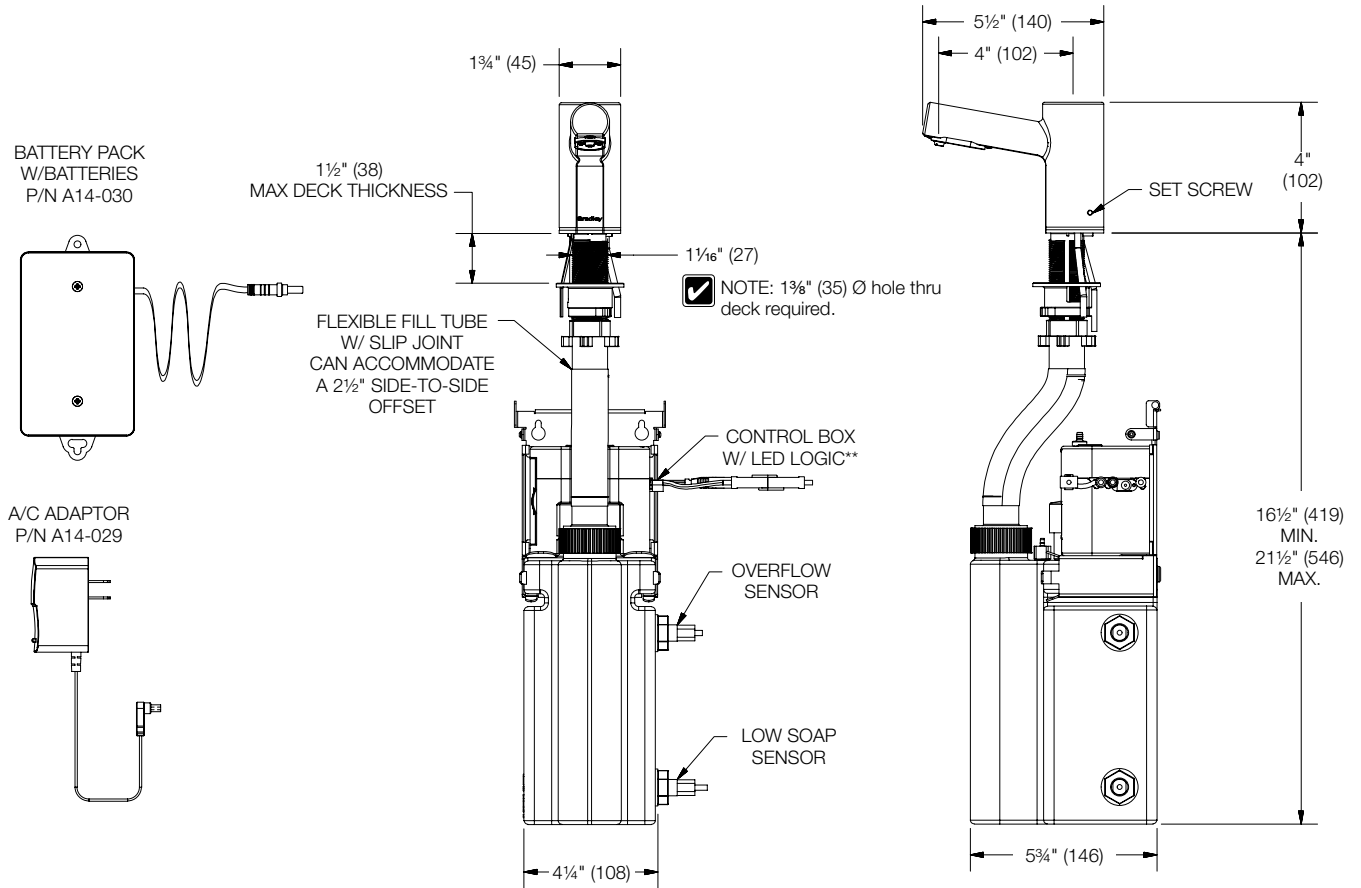
Additional Parts for Purchase (Purchased Separately)	
Feature	Part Number
*** AC Adapter Splitter Assembly accommodates up to 4 devices when desiring a combination of multiple devices (faucet, soap, & multi-feed soap tank assembly) and/or stations. (Electrical Plug Type B)	A14-031
Multi-Feed Soap Tank Assembly	6-SOAP-MFT

Verify all rough-in dimensions prior to installation.
Consult local and national codes. Conformity and compliance to local and national codes is the responsibility of the installer.



Dimensions – Single Top-Fill

(mm)



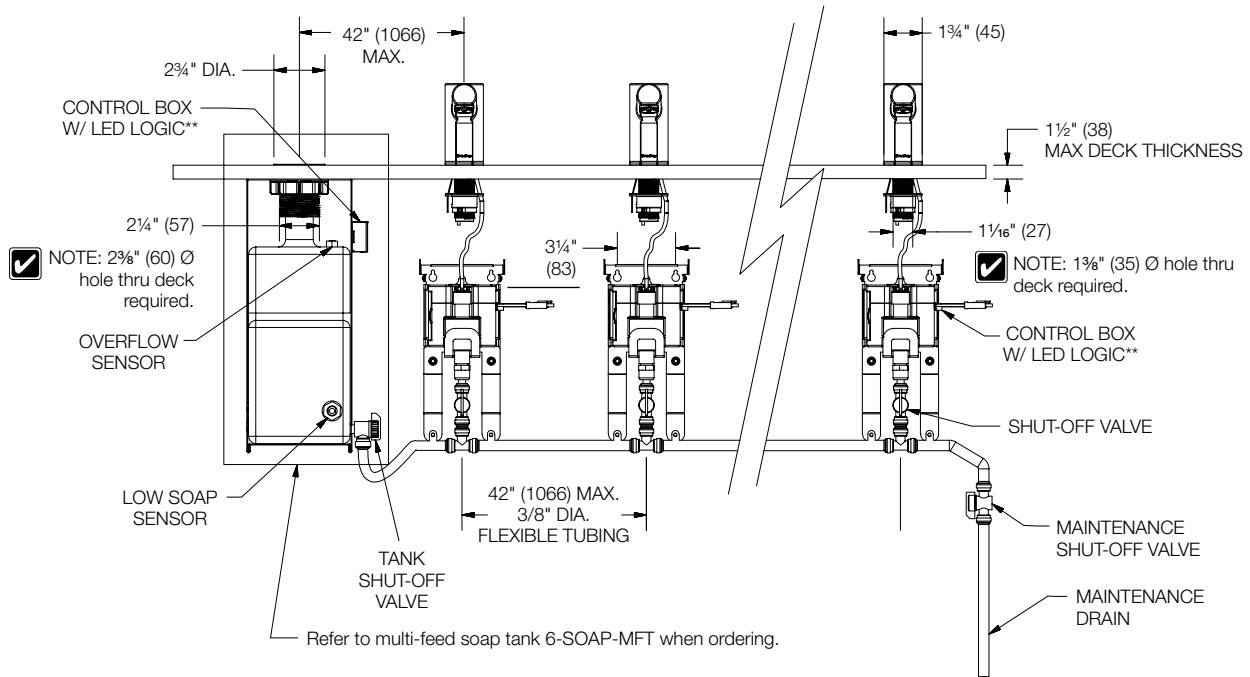
** NOTE: Battery pack or AC adaptor required.
AC power source required to be within 54" (1371) of the control box.

Verify all rough-in dimensions prior to installation.
Consult local and national codes. Conformity and compliance to local and national codes is the responsibility of the installer.



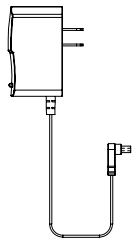
Dimensions – Multi-Feed System - End Tank

(mm)

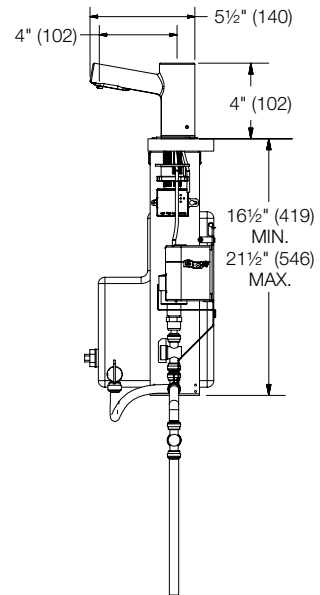
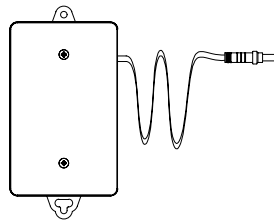


☑ ** NOTE: Battery pack or AC adaptor required.
 AC power source required to be within 54" (1371) of the control box.

A/C ADAPTOR
P/N A14-029



BATTERY PACK
W/BATTERIES
P/N A14-030

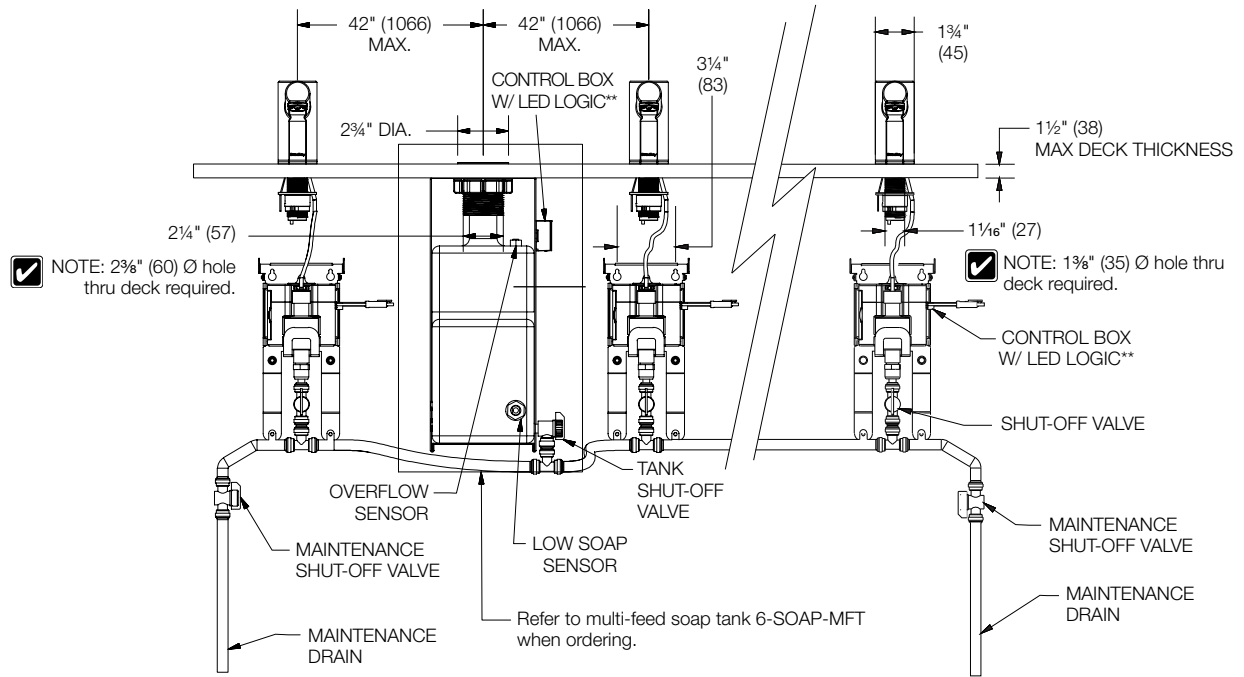


Verify all rough-in dimensions prior to installation.
 Consult local and national codes. Conformity and compliance to local and national codes is the responsibility of the installer.



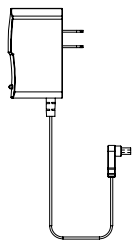
Dimensions – Multi-Feed System - Mid Tank

(mm)

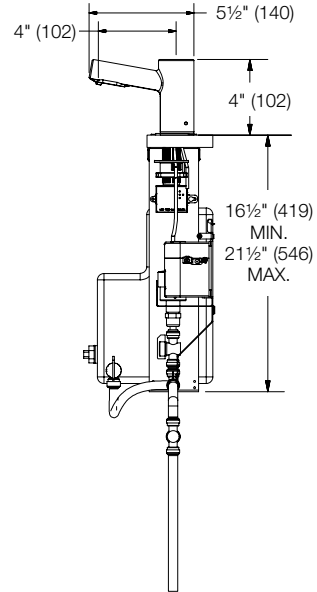
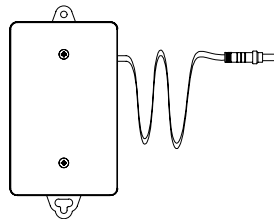


☑ ** NOTE: Battery pack or AC adaptor required.
 AC power source required to be within 54" (1371) of the control box.

A/C ADAPTOR
 P/N A14-029



BATTERY PACK
 W/BATTERIES
 P/N A14-030



Verify all rough-in dimensions prior to installation.
 Consult local and national codes. Conformity and compliance to local and national codes is the responsibility of the installer.