

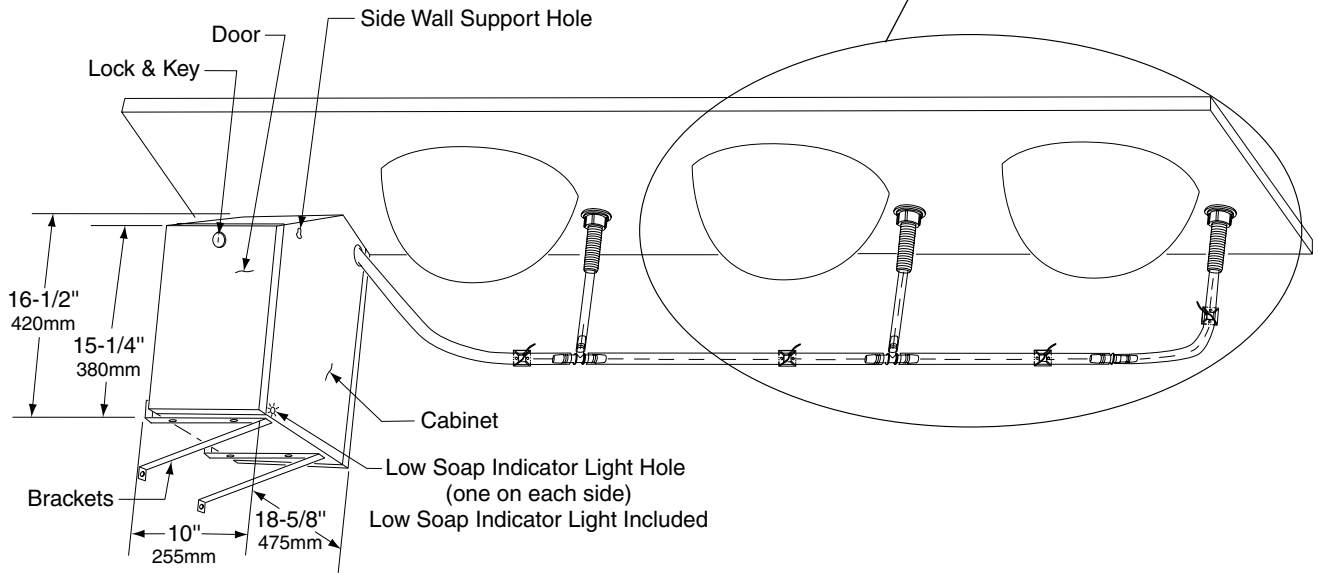
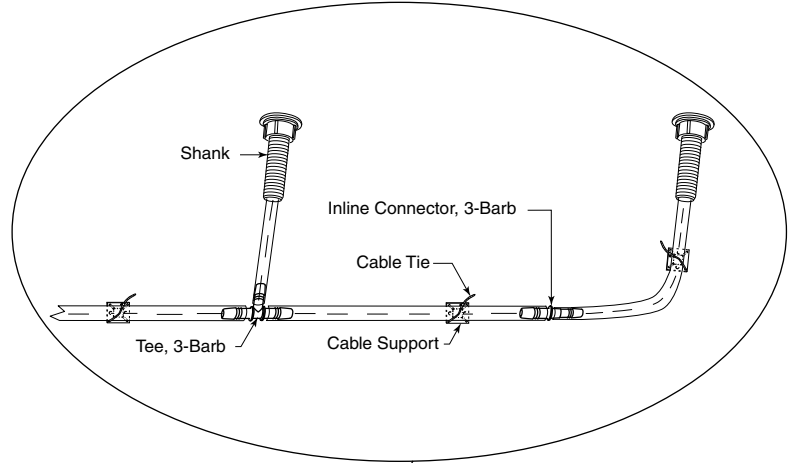


Technical Data

SUREFLO® LIQUID OR FOAM SOAP DISPENSING SYSTEM

B-830 LIQUID OR FOAM

B-830 Cabinet for 12-liter Soap Tank Cartridge



MATERIALS:

Soap Cabinet — 18-8, Type-304, 20-gauge (0.9mm) stainless steel. All-welded construction, with a side hole on each side for Low Soap Indicator Light. Exposed surfaces have #2B finish.

Soap Cabinet Door — 18-8, Type-304, 22-gauge (0.8mm) stainless steel. Exposed surfaces have #4 satin finish. Secured to cabinet with a full-length stainless steel piano-hinge. Equipped with a tumbler lock keyed like other Bobrick washroom accessories.

Soap Reservoir Module — 18-8, Type-304, 22-gauge (0.8mm) stainless steel. Permanent vinyl reservoir. Capacity: 0.5-gal. (2.0-L).

Under Counter Tube Fittings — Molded polyethylene.

Soap Supply Tubing — Clear vinyl.

continued . . .

OPERATION:

Large-capacity, multi-lavatory soap dispensing system connects up to five existing or new Bobrick B-822 or B-823 Series Lavatory-Mounted Liquid or Foam Soap Dispensers specified and furnished separately. Soap cabinet can be mounted to the left, right, or rear wall, under the countertop or in a janitor's closet. Soap cabinet accommodates a 12-liter SureFlo liquid soap cartridge with either Pink Liquid, Gold Liquid, Green Liquid, or Green Foam Soap that equates to about 13,000 hand washes for liquid or 24,000 hand washes for foam soap. After soap tank cartridge empties completely, soap is delivered from a 2-liter reservoir that provides an additional 2,000+ (or 4,000 foam) hand washes. Red Low Soap Indicator light flashes when soap cartridge is empty and system is using reserve supply. SureFlo Soap Dispensing System eliminates frequent refilling of single dispensers, while reducing maintenance time and cost. Sealed system prevents air contamination of soap and allows system to remain primed when replacing empty SureFlo Soap Tank Cartridge. Guarantee: Bobrick B-822 and B-823 Series Lavatory-Mounted Soap Dispensers are guaranteed to dispense soap under normal use and maintenance when there is continuous, non-interrupted use of Bobrick SureFlo Soaps. This guarantee is limited to the repair or exchange of defective parts at the option of Bobrick and does not include labor charges to remove or reinstall soap dispenser(s) or parts. This guarantee is void by misuse or vandalism of the soap dispenser, and if soaps other than Bobrick's are used in the soap dispensers or soap system.

Designer's Notes:

1. Order the following items as listed below for the liquid B-830 SureFlo system:
 - a. Existing B-822 installed: B-830 Cabinet
830-341 Connector Kit (1 per soap dispenser)
 - b. New installation: B-830 Cabinet
830-341 Connector Kit (1 per soap dispenser)
830-359 B-822 pump with Swivel Assembly and Shank
 - c. For countertops 1-3/4" or thicker order 822-408 full length B-822 shank, (1 per soap dispenser).
2. Order the following items as listed below for the foam B-830 SureFlo system:
 - a. Existing B-823 Installed: Refer to B-823/B-833 Conversion Instructions
 - b. New installation: B-830 Cabinet
833-359 (or 833-372 for 6" spout) B-823 pump assembly (1 per soap dispenser)

*Note: 833-341 connector kit is included in each 833-359 or 833-372 pump assembly

3. Up to a maximum of five lavatory-mounted soap dispensers may be connected to one Bobrick SureFlo Soap Dispensing System Soap Cabinet.

Bobrick SureFlo Soaps have been formulated to provide maximum dispensing operation.

SureFlo® Liquid Soap Tank Cartridges		SureFlo® Foam Soap Tank Cartridges	
Description	12 liter	Description	12 liter
Pink Lotion Cleanser Liquid Soap	B-81212	EcoLogo Green Foam Soap	B-82512
Premium Gold Liquid Soap	B-81312		
EcoLogo Green Liquid Soap	B-81412		

WARNING! DO NOT USE LIQUID SOAP IN FOAM SYSTEM OR VICE VERSA! THIS WILL VOID WARRANTY AND LIKELY REQUIRE REPLACEMENT OF ENTIRE SYSTEM!

INSTALLATION:

1. Allow minimum 10" (255mm) horizontal clearance from sidewall to first adjacent lavatory.
2. Allow clearance in front of the soap cabinet for the door to open downward and clear counter top to allow Soap Tank Cartridge to be removed and replaced.
3. If Soap Cabinet is installed below a Soap Dispenser, avoid interference between top of Soap Cabinet and Soap Dispenser Shank and Shank Extension by:
 - a. Allowing 7" (180mm) vertical clearance between top of counter and top of Soap Cabinet, or
 - b. Install Soap Cabinet on:
 - 1) Opposite side wall, or rear wall.

CAUTION: These instructions are a general guide only. Detailed instructions for installation, Form No. 830-569, is packed with each shipment and available in advance on request.

Provide backing in wall as specified in accordance with local building codes. Attach cabinet brackets with four screws or toggle bolts.

- Plaster or dry wall on studs — #12 x 2" (M5.5 x 50mm) sheet metal screws furnished.
- Solid concrete or brick walls — #12 x 2" (M5.5 x 50mm) sheet metal screws and plastic anchors, not furnished.
- For dry wall or concrete block wall — 3/16" x 3" toggle bolts with expander wing nut, furnished.

Connect B-822 or B-823 Series soap dispensers to B-830 SureFlo Dispensing System Cabinet per Installation Instructions.

SPECIFICATION:

Lavatory-mounted soap dispensing system cabinet shall be Type-304 stainless steel with all welded construction. Door shall have satin finish and be secured to cabinet with a full-length stainless steel piano-hinge and equipped with a tumbler lock keyed like other Bobrick washroom accessories. System shall be capable of dispensing soap from a 12-liter tank cartridge to a maximum number of five soap dispensers. To ensure continuous soap supply, system shall have a 2-liter reservoir from which soap is automatically supplied when SureFlo Soap Tank Cartridge is empty. System shall be a sealed system to prevent air contamination of soap and to allow system to remain primed when replacing empty soap tank cartridge. Each soap dispenser includes an internal swiveling design (830 liquid only) in order to allow the dispenser to rotate 360° without losing its airtight seal. System shall easily be convertible back to individual B-822 or B-823 Series soap dispensers. Bobrick B-822 and B-823 Series Lavatory-Mounted Soap Dispensers are guaranteed (in accordance with the terms of the guarantee printed on the installation instructions and technical data sheet) when there is continuous, non-interrupted use of Bobrick SureFlo Soaps.

Lavatory-Mounted Soap Dispensing System shall be Model B-830 of Bobrick Washroom Equipment, Inc., Clifton Park, New York; Jackson, Tennessee; Los Angeles, California; Bobrick Washroom Equipment Company, Scarborough, Ontario; Bobrick Washroom Equipment Pty. Ltd., Australia; and Bobrick Washroom Equipment Limited, United Kingdom.