



9983, 9984, 9985, 9986

Utility Shelves

- ☑ Model 9983 – 2 Hooks/3 Holders
- ☑ Model 9984 – 3 Hooks/4 Holders **Bradex**®
- ☑ Model 9985 – 4 Hooks/5 Holders
- ☑ Model 9986 – 5 Hooks/6 Holders

Product Materials

SHELF: 18 gauge stainless steel with exposed surfaces in architectural satin finish.

BRACKETS: 16 gauge stainless steel with exposed surfaces in architectural satin finish.

HOOKS: 14 gauge stainless steel

HOLDERS: spring-activated rubber cams on plated steel retainers. Will hold a mop or broom handle with a diameter between 5/8" and 1".

DRYING ROD: 1/4" diameter solid stainless steel with satin finish.

Operation

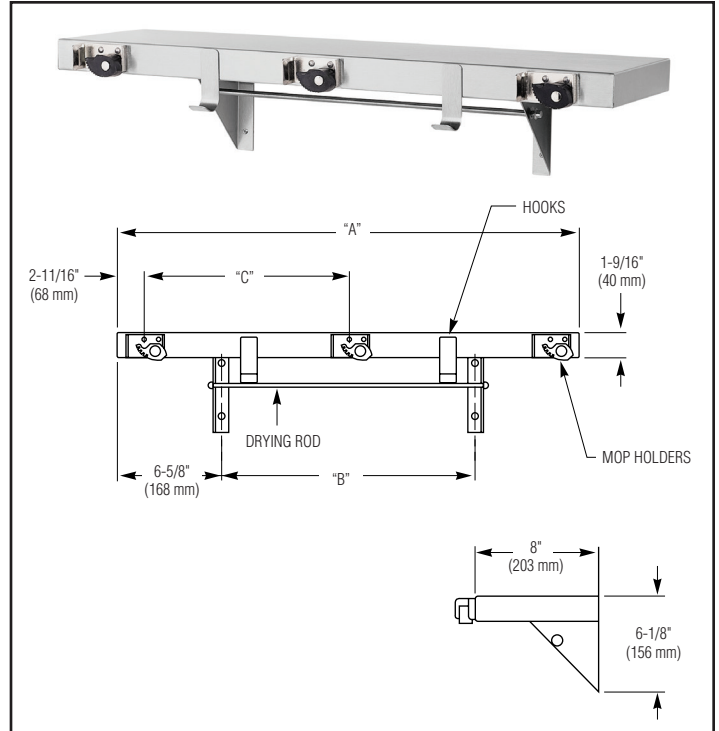
Weight of mop or broom holds handle in place.

Installation

Verify all rough-in dimensions prior to installation. Secure to wall with mounting screws (not included) at holes provided.

Guide Specification

Surface mounted utility shelf shall be fabricated of 18 gauge stainless steel in satin finish with 16 gauge brackets and 14 gauge hooks. Drying rod of 1/4" stainless steel. Mop and broom holders to have spring-activated rubber cams.



Dimensions

Model No.	Dim. "A"	Dim. "B"	Dim. "C"	Hooks	Holders
9983	30" (762 mm)	16-3/4" (425 mm)	12" (305 mm)	2	3
9984	36" (914 mm)	22-7/8" (581 mm)	10" (254 mm)	3	4
9985	42" (1067 mm)	28-7/8" (733 mm)	9" (229 mm)	4	5
9986	48" (1219 mm)	34-7/8" (886 mm)	8-3/8" (213 mm)	5	6

Orders composed of products indicated as **Bradex**® will be available to ship in three days after receipt of order at the factory. There is no pricing penalty for this service from Bradley.