



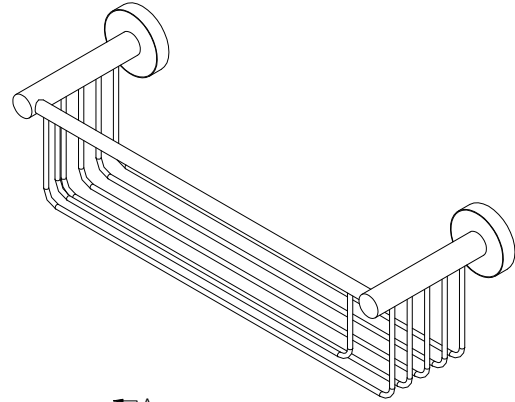
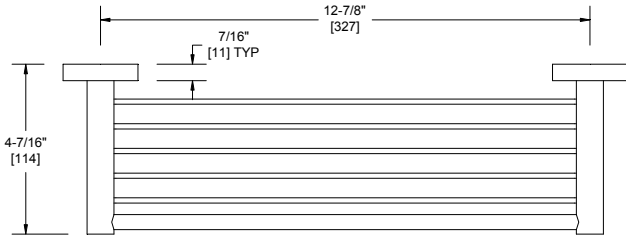
AMERICAN SPECIALTIES, INC.
 441 Saw Mill River Road, NY 10701
 (914) 476.9000 • (914) 476.0688
 www.americanspecialties.com

MODEL №: 7381

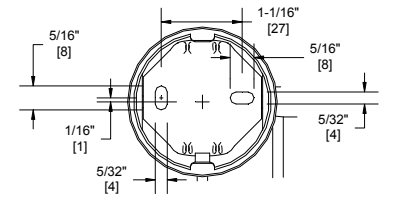
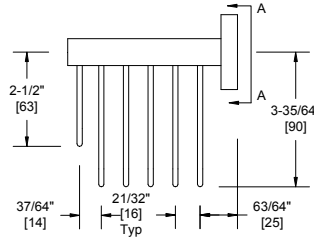
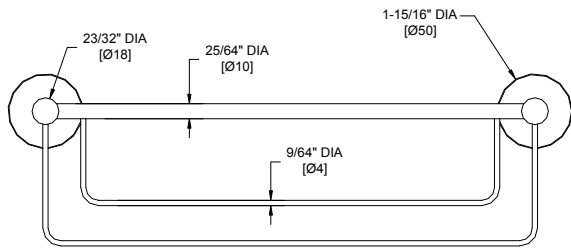
ISSUED: 01/14

REVISED:

SUNDRIES SHELF



NOTE:
 ALL DIMS
 INCH [MM]



VIEW A-A
 MOUNTING PLATE
 TYP

SPECIFICATION

Sundries Shelf shall be type 304 stainless steel alloy 18-8 of welded formed round wire construction and shall have 25/64" diameter (Ø10) solid retainer cross bar as front top rim. Support side posts shall be 23/32" diameter (Ø18) solid rod with polished cast mounting flanges bolted on. Finish shall be satin on all visible surfaces. A stainless steel setscrew shall be provided on bottom perimeter of flanges to lock unit to mounting plates. Mounting plates provided shall be formed 19 gauge with integral ribs for rigid installation.

Sundries Shelf shall be Model № 7381 of American Specialties, Inc., 441 Saw Mill River Road, Yonkers, New York 10701-4913

INSTALLATION

Surface mount unit on wall using four (4) № 6 x 1-3/8" (M4x35) self tapping screws (supplied) through holes provided in mounting plates into anchors (supplied) in suitably prepared walls (by others) or other suitable mounting hardware (by others) to suit wall conditions. Waterproof screw penetrations through tiles in wet area installations. Hang shelf post and flange assemblies on mounting plates and tighten setscrews to lock unit to plates with hex key provided. For compliance with 2010 ADA Accessibility Standards install unit with top of shelf 48" (1219) maximum above finished floor (MAX AFF) if clear floor reach access is provided or 46" (1168) MAX AFF if side reach access over an obstruction (e.g. shower bench) with reach depth greater than 10" (254) and less than 25" (635) is only provided or 44" (1118) MAX AFF if forward reach over an obstruction with reach depth greater than 20" (508) and less than 25" (635) is only provided. For general utility mount unit with top rim of shelf 55" to 65" (1397 to 1651) above shower floor.

OPERATION

Shelf has open spaces between wires to allow excess water to drain away from items loaded and promote drying. Properly installed basket will support up to 10 lbs (4.5 kg) of bath products.