

# VERDEdri®

## Hi-Speed Surface-Mounted ADA Compliant Hand Dryer

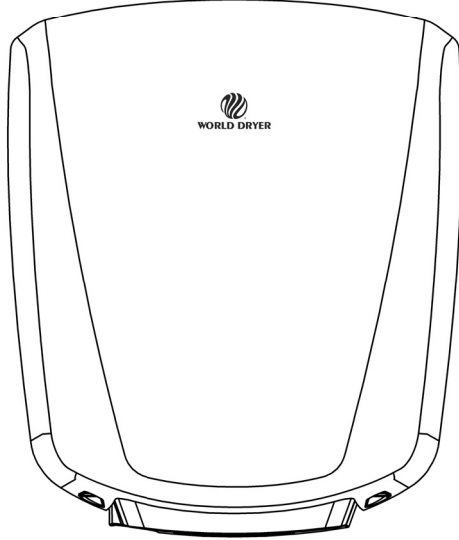
Secamanos compatible con ADA, de montaje en superficie, de alta velocidad

Sèche-mains grande vitesse monté en surface conforme à l'ADA

Oberflächenmontierter ADA-konformer Hochgeschwindigkeits-Händetrockner

Asciugamani elettrico ad alta velocità e conforme ADA per montaggio su superficie

مجفف اليدين عالي السرعة المثبت على الأسطح الممتثل لمعايير القانون الخاص بالمواطنين الأمريكيين من ذوي الإعاقة (ADA)



**Please read and save these instructions. Read carefully before attempting to assemble, install, operate or service the product described. Protect yourself and others by observing all safety information. Failure to comply with instructions could result in personal injury and/or property damage. Retain instructions for future reference.**

Por favor lea y guarde estas instrucciones. Léelas cuidadosamente antes de tratar de montar, instalar, operar o dar mantenimiento al producto aquí descrito.

Protéjase usted mismo y a los demás siguiendo todas las instrucciones de seguridad. No seguir las instrucciones puede ocasionar daños, tanto corporales como materiales. Guarde estas instrucciones como referencia para el futuro.

Lire et conserver ces instructions. Les lire attentivement avant de commencer à assembler, à installer, à faire fonctionner ou à entretenir l'appareil décrit. Pour se protéger et protéger autrui, observer toutes les consignes de sécurité. Négliger de se conformer à ces instructions peut causer des blessures personnelles et/ou des dommages matériels. Conserver ces instructions pour références ultérieures.

Bitte lesen Sie diese Anweisungen und bewahren Sie sie auf. Lesen Sie diese Anweisungen sorgfältig durch, bevor Sie das beschriebene Produkt zusammenbauen, montieren, betreiben bzw. warten. Beachten Sie für Ihren persönlichen Schutz und zum Schutz anderer sämtliche Sicherheitsinformationen. Eine Nichtbeachtung dieser Anweisungen kann zu Verletzungen und/oder Sachschäden führen. Bewahren Sie die Anweisungen für spätere Bezugnahme auf.

Leggere e conservare queste istruzioni. Leggere con attenzione prima di montare, installare, azionare o riparare il prodotto descritto. Proteggere se stessi e terzi attenendosi alle istruzioni sulla sicurezza. La mancata conformità alle istruzioni potrebbe comportare lesioni a persone e/o danni a cose. Conservare le istruzioni nel caso occorra consultarle.

يُرجى قراءة هذه التعليمات والاحتفاظ بها. اقرأها بعناية قبل محاولة تجميع المنتج الموصوف أو تركيبه أو تشغيله أو صيانته. احم نفسك والآخرين من خلال اتباع جميع معلومات السلامة. قد يؤدي عدم الامتثال للتعليمات إلى حدوث إصابات شخصية و/أو إلحاق الضرر بالملكات. احتفظ بالتعليمات للرجوع إليها في المستقبل.



**WORLD DRYER**

**World Dryer Corporation**

340 County Line Road  
Bensenville, IL 60106 U.S.A.




800-323-0701

[www.worlddryer.com](http://www.worlddryer.com)

This Page Intentionally Left Blank

## Electrical Specifications

**Table 1**

Models	Type	Electrical Ratings	Certifications
Q-XXXA2	Automatic	115 / 230 VAC 950W 50/60Hz 277 VAC 1150W 50/60Hz	   IP24

## General Safety Information

### **DANGER**

Failure to disconnect the power source before installation or servicing can result in serious injury or death from electric shock. Always disconnect the power source before servicing or installing the dryer.

Failure to properly ground the dryer could result in severe electrical shock and/or death. This dryer must be properly grounded for safe operation. An identified ground connection point is supplied on the dryer.


### **Warning**

Risk of fire, personal injury or property damage are possible if local codes or safety recommendations are not followed. This dryer must be installed in accordance with current local electrical codes such as the NEC (National Electrical Code) or CEC (Canadian Electrical Code).

This hand dryer is not intended for use by young children or persons with physical, sensory or mental disabilities unless adequately supervised by a responsible person to ensure they can use the hand dryer safely. Young children should be supervised to ensure they do not play with the hand dryer. Use this dryer only for its intended purpose. Do not use as a hair dryer.

Installation and servicing should only be performed by qualified electrical technicians.

Use only the electrical voltage and frequency consistent with the dryer's rating label. Connect the hand dryer to a suitable distribution panel with a disconnection means complying with local wiring codes and having an electrical rating greater than shown on the dryer's rating label. Use No. 14 AWG (2.08mm<sup>2</sup>) or larger wire. Do not connect to a circuit supplying lighting or other appliances. The dryer must be connected to an independent circuit. The supply circuit must not be supplied through an external switching device, such as a timer, or connected to a circuit that is regularly switched on and off by the utility. Use fittings with smooth rounded surfaces for protection of power supply cables. Route all field wiring away from moving parts within the dryer.

 **Warning** Cancer and Reproductive Harm - [www.p65warnings.ca.gov](http://www.p65warnings.ca.gov)

### **Caution**

Improper mounting could result in personal injury or property damage. Follow the mounting height recommendations in Table 2. On a stud wall, one side of the hand dryer should be mounted to an existing stud.

## Unpacking

Unpack all items from the shipping box. Packaged items should include hand dryer, owners manual, mounting template and tamper-proof wrench. Review and report any missing or damaged items.

## Installation

1. Disconnect the power source at the distribution panel.
2. Determine the recommended mounting height for gender/age (Table 2). Select a mounting location where no reflective surfaces (countertop or wash basin) are closer than 18 in (46 cm) below the dryer. Avoid mounting where the dryer may be directly exposed to natural light (sunlight). When mounting adjacent to an existing dryer, the dryers should be spaced at least 24 in (61 cm) apart.
3. Select the access for electrical connections through the rear or bottom of the dryer's mounting plate matching the supply wiring access.
4. Using the mounting template provided, mark locations for the mounting bolt holes on the wall. For stud walls, ensure at least one fastening location will be secured to a stud.
5. Use the tamper-proof wrench supplied to loosen the cover mounting screws (turn screws clockwise) to remove the cover from the dryer.
6. Fasten the base to the wall, using the type of bolts recommended (Table 3).
7. Connect the dryer to the supply wiring.
8. Replace cover, tighten cover mounting screws (turn screws counter-clockwise) making certain not to over-tighten.
9. Connect the power source at the distribution panel.

**Table 2**

Recommended Mounting Heights from Floor to Dryer Bottom Edge	in. (cm.)
Men's washrooms	46 (117)
Women's washrooms	44 (112)
Children's washrooms, ages 4-7	32 (81)
Children's washrooms, ages 7-10	36 (91)
Children's washrooms, ages 10-13	40 (102)
Children's washrooms, ages 13-17	44 (112)
Handicap Mounting Height	37 (94)

**Table 3**

Type of Wall	Type of Bolt
Hollow Tile, Lath, Wall Board or Metal	No 10 (M5) Screw Type or Wing Type Toggle Bolts
Cement, Brick, or Tile Covered Cement or Brick	No 10 (M5) Flanged Plastic Anchors for Block or Brick
Stud Wall	No 12 (5.5 mm) Wood Screws

## Adjusting Blower Speed

These models include adjustable blower speed control for (3) levels of operation – Hi, Med and Low. The switch is located on the printed circuit board inside the dryer as shown in Fig. 1 below.

**Note: The factory setting for the blower speed control is “Hi”.**

To adjust blower speed:

1. Disconnect the power source.
2. Use the security hex key supplied to turn the cover mounting screws **clockwise** to remove the cover from the dryer.
3. Locate the switch on the printed circuit board inside the dryer as shown in Fig. 1 below, and adjust blower speed as desired. (Note: When Med or Low speed is selected, LED 3 on the printed circuit board will be lit). Reassemble the dryer cover using the security hex key supplied to turn the cover mounting screws **counter-clockwise** and tighten until snug. Do not over tighten.
4. Reconnect the power source.

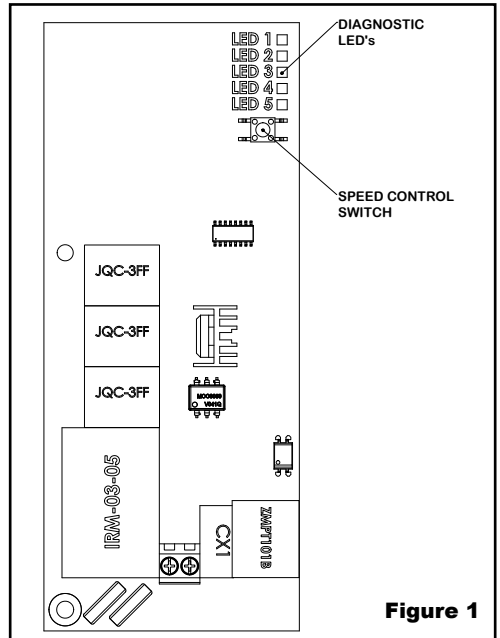


Figure 1

## Accent Lighting

The dryer's accent lighting can be adjusted to operate continuously or only when the dryer is activated for drying hands (default factory setting). Most energy efficient operation is with the default factory setting. To change the lighting mode, press the light mode switch shown in Fig. 2 below.

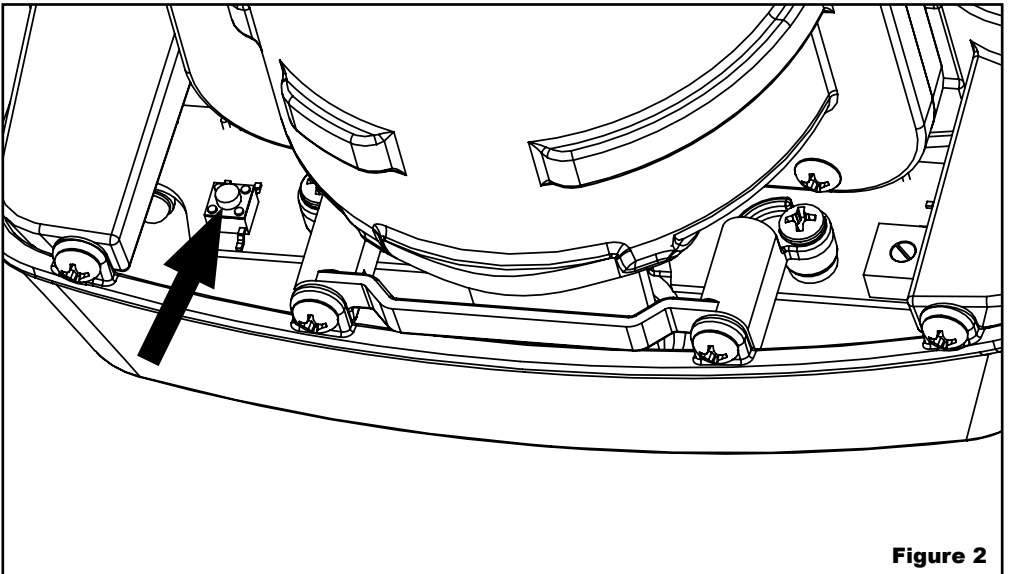
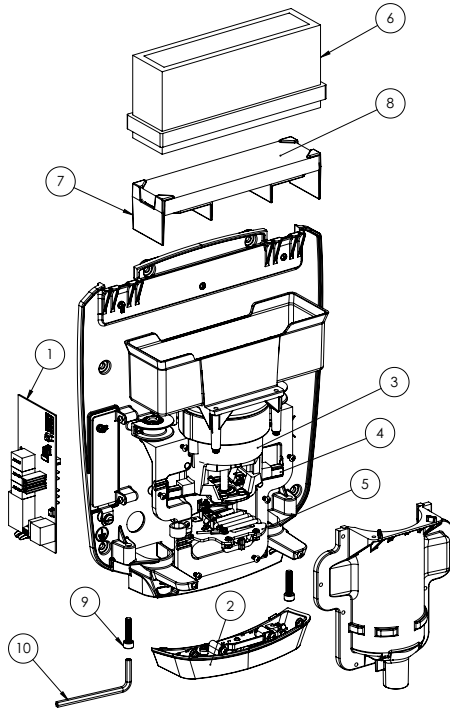


Figure 2

## Service Part List



For Repair Parts, visit  
[www.WorldDryer.com](http://www.WorldDryer.com)

Please provide following information:

- Model number
- Serial number
- Part description and number shown in parts list

#	Description	Part Number
1	Kit, Main Dryer Controls	16-10489K
2	Kit, IR Sensor with Accent Lights	49-10505K
3	Kit, Motor	32-10268K
4	Kit, Replacement Motor Brushes	32-10337K
5	Kit, Heating Element	21-10306K
6	Filter, HEPA	93-10490K
7	Accessory – Coarse Filter with Bracket	93-10506K
8	Filter, Coarse Particulate (for dryers without HEPA filter)	93-10496
9	Kit, Security Screws (includes Wrench)	46-040221K
10	Wrench, Security	56-40189

## Maintenance and Cleaning Instruction

**IMPORTANT:** The dryer may collect lint and debris that is naturally present in the air. Excessive build up of lint and debris can damage the motor and heating element. The dryer should be cleaned on a routine schedule to maintain the dryer in good operating condition. With light to moderate wash room traffic, cleaning once a year is recommended. If wash room traffic is high, cleaning every 6 months is recommended.

To clean the hand dryer:

1. Disconnect the power source.
2. Use the security hex key supplied to turn the cover mounting screws **clockwise** to remove the cover from the dryer.
3. Use a soft-medium bristle paint brush to clean lint, dust and debris from the air intake slots, and the motor's exterior.
4. After cleaning, reassemble the dryer cover using the security hex key supplied to turn the cover mounting screws **counter-clockwise** and tight until snug. Do not over tighten.

### HEPA Filter Replacement

High efficiency particulate absorption (HEPA) filters remove a minimum of 99.97% of contaminants 0.3 microns in size or larger.

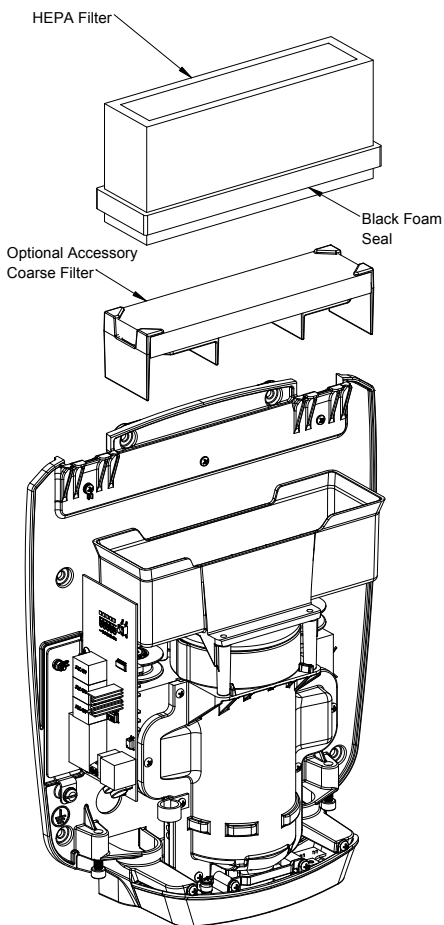
The service life of a HEPA filter depends on the environment in which the dryer is installed and frequency of use. High traffic washrooms or high usage will require more frequent inspection and replacement of the HEPA filter. When visual inspection of the HEPA filter shows excessive buildup of lint, dust and debris, the filter should be replaced.

Examining and changing a HEPA filter regularly keeps hand dryers working efficiently. Operating a hand dryer with an excessively dirty or clogged filter can damage your machine.

The HEPA filter cannot be cleaned and re-used. Do not clean the HEPA filter or allow it to come into contact with water.

To inspect or replace the HEPA filter:

1. Disconnect the power source.
2. Use the security hex key supplied to turn the cover mounting screws **clockwise** to remove the cover from the dryer.
3. Removing and replacing the HEPA filter is easily done by sliding the filter in its mounting track on the motor cap.
4. After replacing the HEPA filter, reassemble the dryer cover using the security hex key supplied to turn the cover mounting screws **counter-clockwise** and tight until snug. Do not over tighten.
5. Reconnect the power source.



**Figure 3**

## Coarse Particulate Filter

The optional accessory coarse particulate air filter prevents lint and debris build up that can damage the motor and heating element. Routine replacement or cleaning of the air filter is needed to maintain the dryer in good operating condition. With light to moderate wash room traffic, replacing or cleaning the air filter once a year is recommended. If the wash room traffic is high, the air filter should be replaced or cleaned every 6 months.

To replace or clean the coarse particulate air filter:

1. Disconnect the power source.
2. Use the security hex key supplied to turn the cover mounting screws **clockwise** to remove the cover from the dryer.
3. Removing and replacing the air filter is easily done by lifting the filter bracket upward out of the filter housing. The coarse filter should be removed from the bracket for cleaning or replacement.
4. Use soft-medium bristle ½" paint brush to clean lint, dust and debris from the filter. If air filter cannot be completely cleared of debris, replace the filter.
5. Reassemble the dryer cover using the security hex key supplied to turn the cover mounting screws **counter-clockwise** and tight until snug. Do not over tighten.
6. Reconnect the power source.

## Diagnostic LED Display

The printed circuit board includes a set of LED's that indicate the operational status of the hand dryer. When contacting World Dryer Technical Service, be prepared to remove the dryer's cover and provide the condition of the LED's as this can be helpful in troubleshooting the dryer. See Figure 1 for location of diagnostic LED's on the printed circuit board. See Table 4 for an explanation of LED function.

## Diagnostic LED Function

**Table 4**

Error	IR Sensor	Speed Setting	Power Supply		Indication
			LED 2	LED 1	
Flashing	LED 4	LED 3	LED 2	LED 1	Voltage outside of normal range
			ON	ON	Decteded Supply voltage is 120V
			ON	Off	Decteded Supply voltage is 208V
			OFF	ON	Decteded Supply voltage is 240V
			OFF	OFF	Decteded Supply voltage is 277V
		ON			Blower speed is set at Med or Low
		OFF			Blower speed is set at Hi (default)
	ON				IR sensor detects hands
	OFF				No IR Sensor Detection



## Troubleshooting Chart

Dryer fails to start.	Incoming Power Supply	Confirm circuit breaker is switched on and circuit is active
	Sensor Locked Out	Remove dryer cover, Check if LED 4 flashing on the main PCB. If LED 4 is flashing on/off, check sensor lens for obstruction or foreign material. Clean lens with soft damp cloth and mild cleaning agent.  Check for, and remove, any object or reflective surface closer than 18 inches (46cm) below the dryer.
	Defective PCB	If no LED's are lit on the main PCB, press the speed control push button on the main PCB. If LED 3 does not activate after the push button is pressed, replace the main PCB.
	Defective Sensor	If power supply and main PCB are confirmed active, and LED 4 does not light when hands are placed under the dryer, replace the IR sensor.
	Motor Brushes at End of Service Life	Check motor brushes and replace if necessary.
	Defective Heating Element <b>(Important:</b> Applies only when connected to 208 – 277V power supply)	If dryer is connected to 208 – 277V power supply and all possible causes have been checked, replace the heating element.
Dryer too loud.	Adjust Dryer Speed Setting	Adjust blower speed to "Low". See page 4. When operating at Med or Low speed, LED 3 will be lit.
No heat. The dryer's heating fluctuates / goes "On" and "Off" during a drying cycle. The dryer speed fluctuates up and down during a drying cycle.	Defective Heating Element <b>(Important:</b> Applies only when connected to 120V power supply)	Replace heating element.
Dryer will only run a few seconds and then stops. Dryer will not activate every time.	Motor Brushes at End of Service Life	Check motor brushes and replace if necessary.
	Defective Heating Element <b>(Important:</b> Applies only when connected to 208 – 277V power supply)	Replace heating element.

## Limited Warranty

**World LIMITED TEN – YEAR WARRANTY.** World Warm Air Hand Dryer, Model covered in this manual, is warranted by World Dryer Corporation to the original user against defects in workmanship or materials under normal use for 10 years after date of purchase except motor (7 years) and sensor (7 years). This warranty excludes normal wear and tear and expendable parts such as HEPA filters, motor brushes, and accent lighting. Any part which is determined to be defective in material or workmanship and returned to an authorized service location, as World designates, shipping costs prepaid, will be, as the exclusive remedy, repaired or replaced at World's option. For limited warranty claim procedures, see PROMPT DISPOSITION below. This limited warranty gives purchasers specific rights from jurisdiction to jurisdiction.

**LIMITATION OF LIABILITY.** To the extent allowable under applicable law, World's liability for consequential and incidental damages is expressly disclaimed. World's liability in all events is limited to and shall not exceed the purchase price paid.

**WARRANTY DISCLAIMER.** World has made a diligent effort to provide product information and illustrate the products in this literature accurately; however, such information and illustrations are for the sole purpose of identification, and do not express or imply a warranty that the products are MERCHANTABLE, or FIT FOR A PARTICULAR PURPOSE, or that the products will necessarily conform to the illustrations or descriptions. Except as provided below, no warranty or affirmation of fact, expressed or implied, other than as stated in the "LIMITED WARRANTY" above is made or authorized by World.

**PRODUCT SUITABILITY.** Many jurisdictions have codes and regulations governing sales, construction, installation, and/or use of products for certain purposes, which may vary from those in neighboring areas. While World attempts to assure that the products comply with such codes, it cannot guarantee compliance, and can not be responsible for how the product is installed or used. Before purchase and use of a product, review the product application, and all applicable national and local codes and regulations, and be sure that the product, installation, and use will comply with them.

Certain aspects of disclaimers are not applicable to consumer products; e.g., (a) some jurisdictions do not allow the exclusion or limitation of incidental or consequential damages, so the above limitation or exclusion may not apply to you; (b) also, some jurisdictions do not allow a limitation on how long an implied warranty lasts, consequentially the above limitation may not apply to you; and (c) by law, during the period of this Limited Warranty, and implied warranties of implied merchantability or fitness for particular purpose applicable to consumer products purchased by consumers, may not be excluded or otherwise disclaimed.

Manufactured by World Dryer Corporation, Bensenville, Illinois 60106 U.S.A

**PROMPT DISPOSITION.** World will make a good faith effort for prompt correction or other adjustment with respect to any product which proves to be defective within limited warranty. For any product believed to be defective within limited warranty, first write or call dealer from whom the product was purchased. Dealer will give additional directions. If unable to resolve satisfactorily, write to World at address below, giving dealer's name, address, date, and number of dealer's invoice, and describing the nature of defect. Title and risk of loss pass to buyer on delivery to common carrier. If product was damaged in transit to you, file claim with carrier.

## Especificaciones del sistema eléctrico

Tabla 1

Modelos	Tipo	Clasificaciones eléctricas	Certificaciones
Q-XXXV2	Automático	115 / 208 / 230 VAC 950W 50/60Hz 277 VAC 1150W 50/60Hz	   IP24

## Información de seguridad general

### PELIGRO

No desconectar el suministro eléctrico antes de realizar la instalación o el mantenimiento puede resultar en lesiones graves o la muerte por descarga eléctrica. Desconecte siempre el suministro eléctrico antes de instalar el secamanos o efectuar su mantenimiento.

No conectar correctamente a tierra esta unidad puede resultar en una descarga eléctrica grave o la muerte. Este secamanos se debe conectar correctamente a tierra para que funcione en forma segura. En la base del secamanos se identifica un punto de conexión a tierra.

### ADVERTENCIA

Hay riesgos posibles de incendio, lesiones personales o daños materiales si no se cumple con los códigos locales o las recomendaciones de seguridad. Esta secadora debe instalarse de acuerdo con los códigos eléctricos locales vigentes, como el NEC (Código Eléctrico Nacional) o el CEC (Código Eléctrico Canadiense).

Este aparato no está hecho para que lo utilicen niños pequeños o personas con capacidades físicas, sensoriales o mentales disminuidas, a menos que sean supervisados por una persona responsable y puedan utilizar el aparato de manera segura. Hay que supervisar a los niños pequeños para que no jueguen con el aparato. Use esta secadora solo para el propósito previsto. No utilizar como secador de pelo.

La instalación y el mantenimiento deben ser realizados únicamente por técnicos eléctricos cualificados. Use solo el voltaje eléctrico y la frecuencia de acuerdo con la etiqueta de clasificación de la secadora. Conecte la secadora de manos a un panel de distribución apropiado con una desconexión significa cumplir con los códigos de cableado locales y tener una clasificación eléctrica mayor que la que se muestra en la etiqueta de clasificación de la secadora. Utilice un cable de calibre AWG 14 (2.08mm<sup>2</sup>) o mayor. No lo conecte a un circuito que suministre iluminación u otros electrodomésticos. La secadora debe estar conectada a un circuito separado. El secamanos no debe alimentarse a través de un dispositivo conmutador externo como, por ejemplo, un temporizador, ni conectarse a un circuito que la empresa de servicio eléctrico cierre o abra regularmente. Tienda todo el cableado durante la instalación separándolo de todas las piezas móviles del interior del secamanos.

 **ADVERTENCIA** Cáncer y Daño Reproductivo - [www.p65warnings.ca.gov](http://www.p65warnings.ca.gov)

### ATENCIÓN

El montaje incorrecto puede ocasionar lesiones corporales o daños materiales. Cumpla con las alturas de montaje recomendadas en la Tabla 2. En una pared de entramado, se debe montar un lado del secamanos en un parante existente.

## Desembalaje

Desembale todos los artículos de la caja de envío. Los artículos empaquetados deben incluir secador de manos, manual del propietario, plantilla de montaje y llave a prueba de manipulaciones. Revise e informe cualquier artículo perdido o dañado.

## Instalación

1. Desconecte la fuente de alimentación en el panel de distribución.
2. Determine la altura de montaje recomendada para género / edad (Tabla 2). Seleccione un lugar de montaje donde las superficies reflectantes (encimera o lavabo) no estén a menos de 18 pulgadas (46 cm) debajo de la secadora. Evite el montaje donde la secadora pueda estar directamente expuesta a la luz natural (luz solar). Cuando se instala junto a una secadora existente, las secadoras deben estar separadas al menos a 24 pulgadas (61 cm) de distancia.
3. Seleccione el acceso para las conexiones eléctricas a través de la parte posterior o inferior de la placa de montaje de la secadora que coincida con el acceso del cableado de suministro.
4. Usando la plantilla de montaje provista, marque las ubicaciones para los orificios de los pernos de montaje en la pared. Para paredes con montantes, asegúrese de que al menos una ubicación de fijación esté asegurada a un montante.
5. Use la llave a prueba de manipulaciones suministrada para aflojar los tornillos de montaje de la cubierta (gire los tornillos en sentido horario) para quitar la cubierta de la secadora.
6. Sujete la base a la pared, utilizando el tipo de pernos recomendado (Tabla 3).
7. Conecte la secadora al cableado de suministro.
8. Vuelva a colocar la cubierta, apriete los tornillos de montaje de la cubierta (gire los tornillos en sentido antihorario) asegurándose de no apretarlos demasiado.
9. Conecte la fuente de alimentación en el panel de distribución.

**Tabla 2**

Alturas de montaje recomendadas (Piso a la parte inferior del secador)	cm (pulg.)
Baños de hombres	117 (46)
Baños de mujeres	112 (44)
Baños de niños, 4 a 7 años de edad	81 (32)
Baños de niños, 7 a 10 años de edad	91 (36)
Baños de niños, 10 a 13 años de edad	102 (40)
Baños de niños, 13 a 17 años de edad	112 (44)
Altura de montaje para discapacitados	94 (37)

**Tabla 3**

Tipo de pared	Tipo de perno
Baldosa hueca, malla, pared de yeso o metal	No 10 (M5) Tipo de tornillo o tipo de ala Pernos de palanca
Cemento, ladrillo, o cemento o ladrillo recubiertos con baldosas	No 10 (M5) Pernos de expansión de tipo parante
red de entramado con refuerzo de madera	No 12 (5.5 mm) Tornillos para madera

## Ajuste de velocidad del ventilador

Estos modelos incluyen un control de velocidad del ventilador ajustable para (3) niveles de operación - Alto, Medio y Bajo. El interruptor se encuentra en la placa de circuitos impreso dentro del secamanos, mostrado en la figura 1 a continuación.

### Aviso: La configuración inicial de fábrica del control de velocidad del ventilador es “Alto”.

Para ajustar la velocidad del ventilador:

1. Desconecte el suministro eléctrico.
2. Utilice la llave hexagonal de seguridad que se proporciona para girar los tornillos de montaje de la cubierta **hacia la derecha**, y separarla del secamanos.
3. Localice el interruptor del tablero de circuitos impresos dentro del secamanos como se muestra en la figura 1 a continuación, y ajuste la velocidad del ventilador según se desee. (Presione y suelte el botón del interruptor de velocidad para alternar entre Hi, Med y Low.)

Instale nuevamente la cubierta del secamanos, usando la llave hexagonal de seguridad suministrada para girar los tornillos de montaje **hacia la izquierda** y apriételes hasta que estén bien ajustados. No apriete demasiado.

4. Vuelva a conectar el suministro eléctrico.

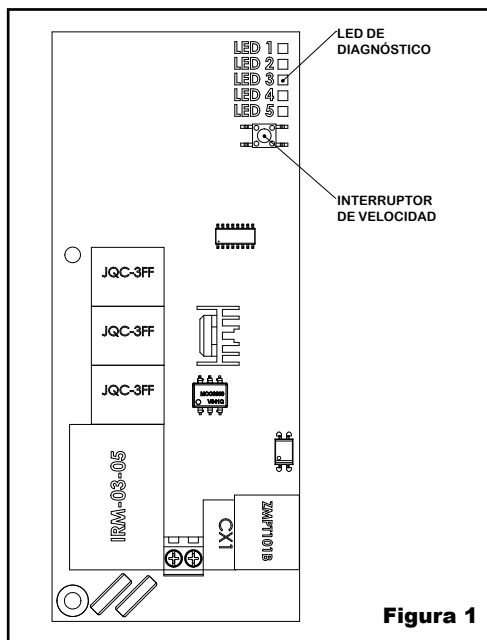


Figura 1

## Iluminación de Acento

La iluminación de acento de la secadora se puede ajustar para que funcione continuamente o solo cuando la secadora está activada para secar las manos (configuración predeterminada de fábrica). La operación más eficiente energéticamente es con la configuración predeterminada de fábrica.

Para cambiar el modo de iluminación, presione el interruptor del modo de luz que se muestra en la Fig. 2 a continuación.

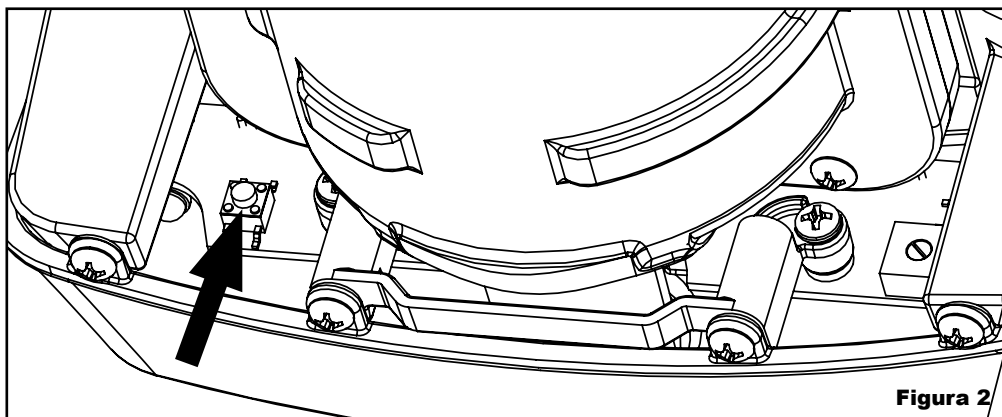
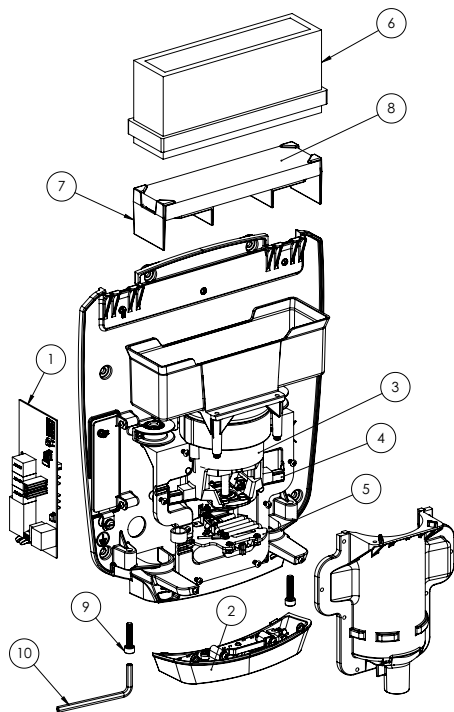


Figura 2

## Lista de Partes de Servicio



Para obtener información sobre repuestos, visite [www.WorldDryer.com](http://www.WorldDryer.com)

Por favor proporcione la siguiente información:

- Número de modelo
- Número de serie
- Descripción de la pieza y número indicado en la lista de piezas

#	Descripción	Número de pieza
1	Conjunto, Controles del Secador Principal	16-10489K
2	Conjunto, Sensor IR con Luces de Acento	49-10505K
3	Conjunto, Motor Eléctrico	32-10268K
4	Conjunto, Cepillos de Motor de Repuesto	32-10337K
5	Conjunto, Elemento Calefactor	21-10306K
6	Filtro, HEPA	93-10490K
7	Accesorio - Filtro Grueso con Soporte	93-10506K
8	Filtro, Partículas Gruesas (para secadoras sin filtro HEPA)	93-10496
9	Conjunto, Tornillos de Seguridad (incluye llave)	46-040221K
10	Llave, a Prueba de Manipulaciones	56-40189

## Instrucciones de mantenimiento y limpieza

**IMPORTANTE:** El secador puede acumular pelusas y residuos que suelen estar presentes en el aire. La acumulación excesiva de pelusa y residuos puede dañar el motor y el elemento calefactor. El secador se debe limpiar de forma periódica para mantenerlo en buenas condiciones de funcionamiento. En baños con un volumen de tráfico ligero a moderado se recomienda limpiarlo una vez al año. Si el volumen de tráfico del baño es alto, se recomienda limpiarlo cada seis meses.

Para limpiar el lavamanos:

1. Desconecte el suministro eléctrico.
2. Utilice la llave hexagonal de seguridad que se proporciona para girar los tornillos de montaje de la cubierta **hacia la derecha**, y separarla del secamanos.
3. Utilice una brocha de cerdas suaves intermedias para limpiar la pelusa, el polvo y los residuos de las ranuras de entrada de aire y del exterior del motor.
4. Después de la limpieza, vuelva a montar la cubierta del secador valiéndose de la llave hexagonal de seguridad que se proporciona para girar los tornillos de montaje de la cubierta **hacia la izquierda**, y apriete hasta fijarla. No apriete demasiado.

### Reemplazo del filtro HEPA

Los filtros de absorción de partículas de alta eficiencia (HEPA) eliminan un mínimo de 99.97% de contaminantes de 0.3 micrones o más grande.

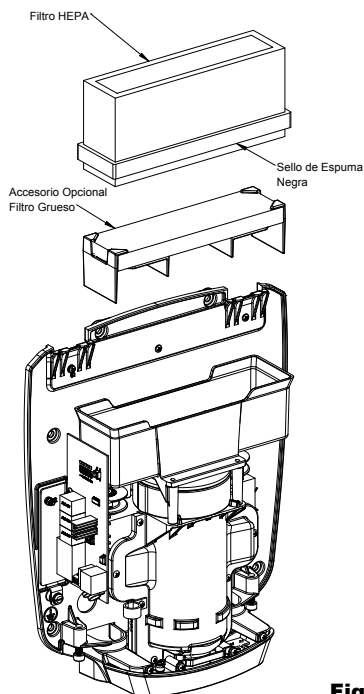
La vida útil de un filtro HEPA depende del entorno en el que está instalado y la frecuencia de uso del secador. Los lavabos con un alto volumen de tráfico o uso requerirán inspeccionar y reemplazar el filtro HEPA con mayor frecuencia. En entornos con una cantidad excesiva de polvo y residuos o en lavabos con un alto volumen de tráfico, se recomienda la inspección del filtro HEPA mensualmente. Cuando la inspección visual del filtro HEPA muestre la acumulación excesiva de pelusa, polvo y residuos, se debe reemplazar el filtro.

La inspección y reemplazo periódicos del filtro HEPA mantiene el funcionamiento eficiente de los secamanos. Operar un secamanos con un filtro excesivamente sucio u obstruido puede dañar la máquina.

El filtro HEPA no se puede limpiar ni reutilizar. No limpie el filtro HEPA, ni permita que entre en contacto con el agua.

Para reemplazar o limpiar el filtro HEPA:

1. Desconecte el suministro eléctrico.
2. Utilice la llave hexagonal de seguridad que se proporciona para girar los tornillos de montaje de la cubierta **hacia la derecha**, y separarla del secamanos.
3. La extracción y el reemplazo del filtro HEPA se realiza fácilmente levantando el filtro hacia arriba de la carcasa del filtro. Al reemplazar el filtro, asegúrese de que el sello exterior negro del filtro esté insertado dentro de la carcasa del filtro.
4. Después reemplazar el filtro HEPA, vuelva a montar la cubierta del secador valiéndose de la llave hexagonal de seguridad que se proporciona para girar los tornillos de montaje de la cubierta **hacia la izquierda**, y apriete hasta fijarla. No apriete demasiado.
5. Vuelva a conectar el suministro eléctrico.



**Figura 3**

## Filtros de partículas gruesas

Filtros de aire de partículas gruesas evitar la acumulación de pelusa y restos de materiales que podrían averiar el motor y el elemento calefactor. Es necesario limpiar o reemplazar el filtro de aire de manera rutinaria para mantener el secamanos en buenas condiciones de funcionamiento. Si el uso del baño es leve o moderado, se recomienda reemplazar o limpiar el filtro de aire una vez al año. Si el uso del baño es intenso, se recomienda reemplazar o limpiar el filtro de aire cada 6 meses. To replace or clean the coarse particulate air filter:

Para reemplazar o limpiar el filtro de aire de partículas gruesas:

1. Desconecte el suministro eléctrico.
2. Utilice la llave hexagonal de seguridad que se proporciona para girar los tornillos de montaje de la cubierta **hacia la derecha**, y separarla del secamanos.
3. Se puede extraer y volver a colocar fácilmente el filtro de aire elevando el soporte del filtro hacia arriba fuera de la carcasa del filtro. El filtro grueso debe retirarse del soporte para limpiarlo o reemplazarlo.
4. Elimine la pelusa, el polvo y los restos de materiales del filtro con una brocha con cerdas de rigidez suave-intermedia de 1,3 cm. Si no puede eliminar todos los restos de materiales del filtro, reemplácelo.
5. Vuelva a montar la cubierta del secador valiéndose de la llave hexagonal de seguridad que se proporciona para girar los tornillos de montaje de la cubierta **hacia la izquierda**, y apriete hasta fijarla. No apriete demasiado.
6. Vuelva a conectar el suministro eléctrico.

## Luces LED de diagnóstico

El tablero de circuitos impresos incluye un conjunto de luces LED que indica el estado de funcionamiento del secamanos. Al comunicarse con el servicio técnico de World Dryer, esté preparado para retirar la cubierta del secamanos e indicarnos el estado de las luces LED, ya que pueden ser útiles para solucionar problemas de funcionamiento. Consulte la figura 1 para ver la ubicación de las luces LED de diagnóstico en el tablero de circuitos impresos. Consulte la Tabla 4 para leer una explicación de la función de los LED.

## Función de las luces LED de diagnóstico

**Tabla 4**

Falla	Sensor de IR	Acelerar	Tensión de Alimentación		Indicación
			LED 2	LED 1	
LED 5	LED 4	LED 3	LED 2	LED 1	
Luz Intermitente					Voltaje fuera del rango normal
			EN	EN	El voltaje de alimentación detectado es de 120 V
			EN	APAGADA	El voltaje de alimentación detectado es de 208 V
			APAGADA	EN	El voltaje de alimentación detectado es de 240 V
			APAGADA	APAGADA	El voltaje de alimentación detectado es de 277 V
		EN			La velocidad del ventilador se establece en Med o Low
		APAGADA			La velocidad del ventilador está configurada en Alto (predeterminado)
	EN				El sensor IR detecta manos
	APAGADA				Sin detección de sensor IR



## Tabla de identificación de problemas

La secadora no arranca.	Fuente de alimentación entrante	Confirme que el interruptor automático esté encendido y que el circuito esté activo.
	Sensor bloqueado	Compruebe si el LED 4 parpadea en la PCB principal. Si el LED 4 está encendido / apagado parpadeante, revise la lente del sensor por obstrucción o material extraño. Limpie la lente con un paño suave y húmedo y un agente de limpieza suave.  Verifique y retire cualquier objeto o superficie reflectante a menos de 18 pulgadas (46 cm) debajo de la secadora.
	PCB defectuoso	Si no hay LED activos en la PCB principal, presione el botón de control de velocidad en la PCB principal. Si el LED 3 no se activa después de presionar el botón, reemplace la PCB principal.
	Sensor defectuoso	Si se confirma que la fuente de alimentación y la PCB principal están activas, y el LED 4 no se enciende cuando se colocan las manos debajo de la secadora, reemplace el sensor IR.
	Cepillos de motor al final de la vida útil	Compruebe las escobillas del motor y reemplace si necesitar.
	Elemento calefactor defectuoso ( <b>Importante:</b> se aplica solo cuando está conectado a la fuente de alimentación 208 - 277V)	Si la secadora está conectada a una fuente de alimentación de 208 - 277V y se han eliminado todas las demás causas posibles, reemplace el elemento calefactor.
Secadora demasiado fuerte.	Ajuste la configuración de velocidad del secador	Ajuste la velocidad del ventilador a una velocidad más lenta. Consulte la página 12. Cuando se opera a velocidad MED o BAJA, se activará el LED 3.
La temperatura del aire es demasiado fría. Los función de calentamiento del secador de manos fluctúa / se enciende y apaga durante un ciclo de el secado. La velocidad del secador de manos fluctúa / sube y baja durante un ciclo de secado.	Elemento calefactor defectuoso ( <b>Importante:</b> se aplica solo cuando está conectado a una fuente de alimentación de 120 V)	Reemplace el elemento calefactor.
El secamanos funcionará solamente durante varios segundos y a continuación se parará. El secamanos no se activa todas las veces.	Cepillos de motor al final de la vida útil	Compruebe las escobillas del motor y reemplace si necesitar.
	Elemento calefactor defectuoso ( <b>Importante:</b> se aplica solo cuando está conectado a la fuente de alimentación 208 - 277V)	Reemplace el elemento calefactor.

## Garantie limitée

**GARANTÍA LIMITADA DE DIEZ AÑOS DE WORLD.** El secamanos World Warm Air, modelo descrito en este manual, está garantizado por World Dryer Corporation contra defectos de mano de obra o materiales en condiciones de uso normal durante 10 años a partir de la fecha de compra, excepto el motor (7 años) y el sensor (7 años). Esta garantía excluye el desgaste normal y las piezas desechables como filtros HEPA, cepillos de motor e iluminación de acento. Cualquier pieza que se halle defectuosa, ya sea en el material o en la mano de obra, y sea devuelta, con los costos de envío pagados por adelantado, será reparada o reemplazada a discreción de World como recurso exclusivo. Para obtener información relacionada con los procedimientos de reclamación provistos por la garantía limitada, consulte más adelante la sección ATENCIÓN OPORTUNA. Esta garantía limitada confiere al comprador derechos específicos que varían de una jurisdicción a otra.

**LÍMITES DE RESPONSABILIDAD.** En la medida en que las leyes correspondientes lo permitan, se excluye expresamente la responsabilidad de World Dryer por daños indirectos o menores. La responsabilidad de World Dryer se limita al precio de compra pagado, el cual no se sobrepasará.

**EXCLUSIÓN DE RESPONSABILIDAD DE LA GARANTÍA.** World Dryer se ha esforzado diligentemente en proporcionar a través de este manual información e ilustraciones referentes al producto; sin embargo, esta información y estas ilustraciones tienen como único fin la identificación del producto, y no expresan ni implican garantía de que los productos sean COMERCIALESni IDÓNEOS PARA UN FIN EN PARTICULAR, ni que se ajusten necesariamente a las ilustraciones o descripciones. Con excepción de lo que se establece a continuación, World Dryer no hace ni autoriza ninguna garantía ni afirmación de hecho, explícita o implícita, que no se estipule en la "GARANTÍA LIMITADA" anterior.

**IDONEIDAD DEL PRODUCTO.** Muchas jurisdicciones tienen códigos o reglamentos sobre la venta, el diseño, la instalación y el uso de productos para ciertas aplicaciones; dichas leyes pueden variar de una zona a otra. Si bien World trata que los productos cumplan con estos códigos, no puede garantizar su cumplimiento ni puede hacerse responsable de la forma en que se instale o utilice el producto. Antes de comprar y utilizar el producto, revise su aplicación y todos los códigos y reglamentos nacionales y locales correspondientes, y asegúrese de que el producto, la instalación y el uso cumplan con ellos.




Ciertos aspectos de las limitaciones de responsabilidad no se aplican a los productos de consumo; es decir (a) algunas jurisdicciones no permiten la exclusión o limitación de daños menores o indirectos, por lo cual la limitación o exclusión anterior quizás no se aplique en su caso; (b) asimismo, algunas jurisdicciones no permiten limitar el plazo de las garantías implícitas, por lo cual la limitación anterior quizás no se aplique en su caso; y (c) por ley, mientras estén vigentes, no pueden excluirse ni de ninguna otra manera denegarse la Garantía Limitada ni las garantías implícitas de comerciabilidad o idoneidad para un cierto fin que correspondan a los productos de consumo adquiridos por los consumidores.

Fabricado por World Dryer Corporation, Bensenville, Illinois 60106 EE.UU.

**ATENCIÓN OPORTUNA.** World Dryer hará un esfuerzo de buena fe para corregir oportunamente o hacer otros ajustes relacionados con cualquier producto que resulte defectuoso dentro de los términos de esta garantía limitada. En el caso de que encuentre un producto defectuoso y que esté cubierto dentro de los límites de esta garantía haga el favor de escribir primero, o llame, al distribuidor donde compró el producto. El distribuidor le dará instrucciones adicionales. Si no logra resolver el problema de forma satisfactoria, escriba a World a la siguiente dirección, y proporcione el nombre y la dirección del distribuidor así como la fecha y el número de su factura, y describa la naturaleza del defecto. La propiedad del artículo y el riesgo de pérdida pasan al comprador en el momento de la entrega del artículo a la compañía de transporte. Si el producto se daña durante el transporte, debe presentar su reclamación a la compañía transportista.

## Caractéristiques électriques

Tableau 1

Modèles	Type	Valeurs électriques nominales	Homologations
Q-XXXV2	Automático	115 / 208 / 230 VAC 950W 50/60Hz 277 VAC 1150W 50/60Hz	   IP24

## Consignes générales de sécurité

### DANGER

Négliger de débrancher la source d'alimentation avant de procéder à l'installation ou à l'entretien peut entraîner des blessures graves ou mortelles provoquées par une décharge électrique. Toujours débrancher la source d'alimentation avant de réparer ou d'installer le sèche-mains.

Brancher cet appareil à la terre sous peine de décharge électrique grave et/ou de mort. Pour un fonctionnement sans danger, ce sèche-mains doit être correctement mis à la terre. Un point de mise à la terre est identifié sur la base murale du sèche-mains.

### AVERTISSEMENT

Un risque d'incendie, de blessures ou de dommages matériels est possible en cas de non-respect des codes locaux en vigueur ou des recommandations de sécurité. Cette sècheuse doit être installée conformément aux codes électriques locaux en vigueur tels que le NEC (National Electrical Code) ou le CEC (Canadian Electrical Code).

Cet appareil n'est pas prévu pour une utilisation par de jeunes enfants ou des personnes avec des incapacités physiques, sensorielles ou mentales sauf s'ils sont correctement supervisés par quelqu'un de responsable permettant de garantir l'utilisation sans danger de l'appareil. Les jeunes enfants doivent être supervisés pour garantir qu'ils ne joueront pas avec l'appareil. Utilisez cette sècheuse uniquement pour l'usage auquel elle est destinée. Ne pas utiliser comme sèche-cheveux.

L'installation et la maintenance doivent uniquement être réalisées par des électriciens qualifiés. N'utiliser que le électrique tension et fréquence spécifié pour le modèle de sèche-mains en cours d'installation. Connectez le sèche-mains à un panneau de distribution approprié avec un moyen de déconnexion conforme aux codes de câblage locaux et ayant une puissance électrique supérieure à celle indiquée sur l'étiquette de puissance de la sècheuse. Utilisez un fil n° 14 AWG (2,08 mm<sup>2</sup>) ou plus grand. Ne connectez pas à un circuit d'alimentation fournissant un éclairage ou d'autres appareils. Le sèche-linge doit être connecté à un circuit indépendant. Le circuit d'alimentation ne doit pas être alimenté par un dispositif de commutation externe, tel qu'une minuterie, ou connecté à un circuit qui est régulièrement allumé et éteint par le fournisseur d'électricité. Utilisez des raccords avec les surfaces lisses et arrondies pour la protection des câbles. Éloigner tout le câblage des composants en mouvement à l'intérieur du sèche-mains.

 **AVERTISSEMENT** Cancer et effets néfastes sur la reproduction - [www.p65warnings.ca.gov](http://www.p65warnings.ca.gov)

### ATTENTION

Un montage incorrect peut provoquer des blessures personnelles ou des dommages matériels. Suivre les recommandations de hauteur de montage au tableau 2. Sur un mur à poteaux d'ossature, un côté du sèche-mains doit être monté sur un poteau existant

## Déballage

Déballer tous les articles de la boîte d'expédition. Les articles emballés doivent comprendre un sèche-mains, un manuel du propriétaire, un gabarit de montage et une clé inviolable. Examinez et signalez tout élément manquant ou endommagé.

## Installation

1. Débranchez la source d'alimentation du panneau de distribution.
2. Déterminez la hauteur de montage recommandée pour le sexe / l'âge (tableau 2). Sélectionnez un emplacement de montage où aucune surface réfléchissante (comptoir ou lavabo) n'est située à moins de 18 po (46 cm) sous la sècheuse. Évitez de monter là où le sèche-linge peut être directement exposé à la lumière naturelle (lumière du soleil). Lors du montage à côté d'une sècheuse existante, les sècheuses doivent être espacées d'au moins 24 po (61 cm).
3. Sélectionnez l'accès aux connexions électriques par l'arrière ou le bas de la plaque de montage de la sècheuse correspondant à l'accès au câblage d'alimentation.
4. À l'aide du gabarit de montage fourni, marquez les emplacements des trous de boulons de montage sur le mur. Pour les murs à montants, assurez-vous qu'au moins un emplacement de fixation sera fixé à un montant.
5. Utilisez la clé inviolable fournie pour desserrer les vis de montage du couvercle (tournez les vis dans le sens des aiguilles d'une montre) pour retirer le couvercle du sèche-linge.
6. Fixez la base au mur à l'aide du type de boulons recommandé (tableau 3).
7. Connectez la sècheuse au câblage d'alimentation.
8. Remettez le couvercle en place, serrez les vis de montage du couvercle (tournez les vis dans le sens inverse des aiguilles d'une montre) en veillant à ne pas trop serrer.
9. Connectez la source d'alimentation au panneau de distribution.

**Tableau 2**

Hauteurs de montage recommandées (Du sol au bord inférieur de la sècheuse)	cm (po)
Toilettes pour hommes	117 (46)
Toilettes pour femmes	112 (44)
Toilettes pour enfants de 4 à 7 ans	81 (32)
Toilettes pour enfants de 7 à 10 ans	91 (36)
Toilettes pour enfants de 10 à 13 ans	102 (40)
Toilettes pour enfants de 13 à 17 ans	112 (44)
Hauteur de montage pour les personnes handicapées	94 (37)

**Tableau 3**

Type de mur	Type de boulon
Parpaing creux, lattis, panneau mural ou métal	Boulons type à vis M5 (no 10) ou boulons à ailettes
Ciment, brique ou ciment ou brique carrelés	Boulons à coquille d'expansion du type à goujon M5 (no 10)
Mur à poteaux avec fond de clouage en bois	Vis à bois no 12 (M5.5)

## Réglage de la vitesse de la soufflerie

Ces modèles incluent une commande de réglage de vitesse de soufflerie pour (3) niveaux de fonctionnement – grande vitesse (Hi), moyen vitesse (MED) et basse vitesse (Low). Le sélecteur se trouve sur la carte de circuits imprimés dans le sèche-main, comme illustré à la figure 1 ci-dessous.

**Remarque : Le réglage usine pour la commande de réglage de vitesse de soufflerie est « Hi ».**

Pour régler la vitesse de la soufflerie :

1. Débrancher de l'alimentation.
2. Utiliser la clé à six pans fournie pour tourner les vis de fixation du couvercle **dans le sens horaire** afin d'enlever le couvercle du sèche-mains.
3. Situer le sélecteur sur la carte de circuits imprimés à l'intérieur du sèche-mains comme illustré à la figure 1 ci-dessous et ajuster la vitesse de la soufflerie comme souhaité. (Remarque : Lorsque la vitesse moyenne ou faible est sélectionnée, la LED 3 sur le circuit imprimé s'allume.)

Remonter le couvercle du sèche-mains à l'aide de la clé à six pans fournie pour tourner les vis de montage du couvercle **dans le sens anti-horaire** et bien serrer. Ne pas trop serrer.

4. Rebrancher sur l'alimentation.

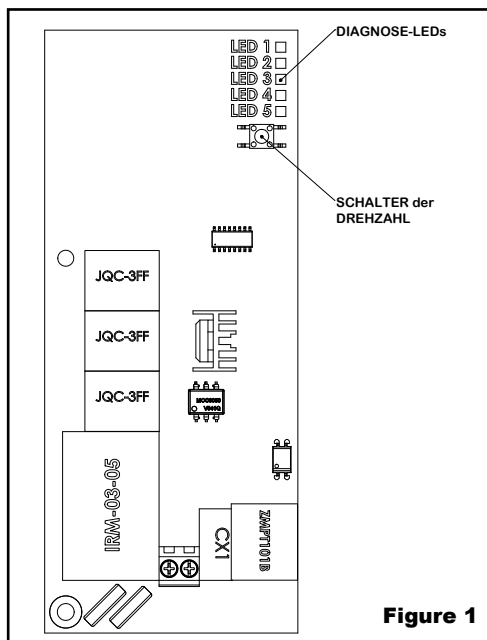


Figure 1

## Éclairage d'Accentuation

L'éclairage d'accentuation de la sècheuse peut être réglé pour fonctionner en continu ou uniquement lorsque la sècheuse est activée pour le séchage des mains (réglage d'usine par défaut). Le fonctionnement le plus économe en énergie est avec le réglage d'usine par défaut. Pour changer le mode d'éclairage, appuyez sur le commutateur de mode d'éclairage illustré à la figure 2 ci-dessous.

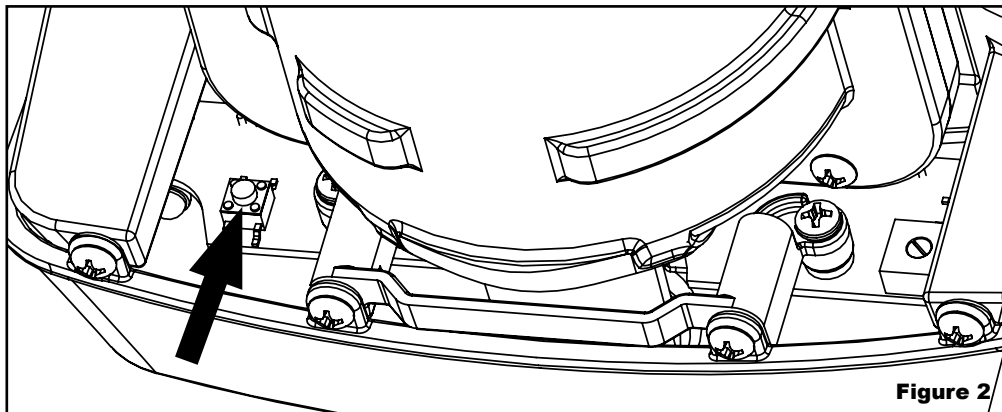
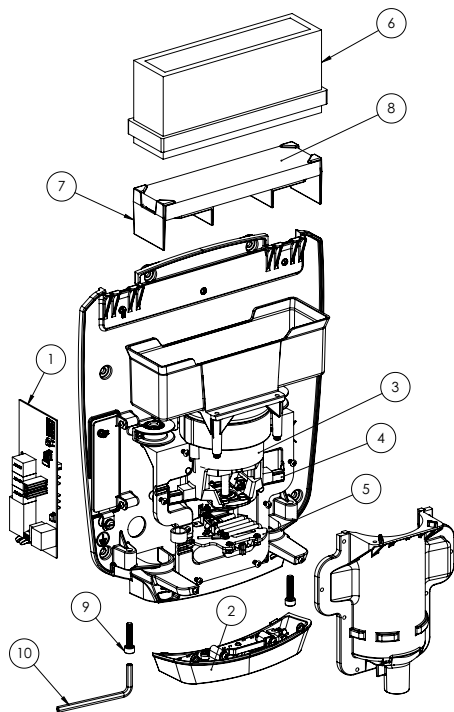


Figure 2

## Liste des Pièces de Rechange



Pour commander les pièces détachées,  
allez sur le site [www.WorldDryer.com](http://www.WorldDryer.com)

Fournissez les renseignements suivants:

- Numéro de modèle
- Numéro de série
- La description et le numéro de pièce apparaissent dans la liste des pièces

#	Description	Numéro de référence
1	Ensemble, Commandes de la Sécheuse Principale	16-10489K
2	Ensemble, Capteur IR avec Lumières d'Accentuation	49-10505K
3	Ensemble, Moteur	32-10268K
4	Ensemble, Balais de Moteur de Rechange	32-10337K
5	Ensemble, Élément Chauffant	21-10306K
6	Filtre, HEPA	93-10490K
7	Accessoire - Filtre Grossier avec Support	93-10506K
8	Filtre, Particules Grossières (pour séchoirs sans filtre HEPA)	93-10496
9	Ensemble, Vis de Sécurité (comprend une clé)	46-040221K
10	Clé, Inviolable	56-40189

## Instructions d'entretien et de nettoyage

**IMPORTANT** : Le sèche-mains peut collecter peluches et débris qui sont naturellement présents dans l'air. L'accumulation excessive de peluches et de débris risque d'endommager le moteur et l'élément chauffant. Pour continuer à bien fonctionner, le sèche-mains doit être régulièrement nettoyé. En se basant sur une fréquentation légère à moyenne des lieux, un nettoyage annuel est recommandé. Si la fréquentation est plus importante, un nettoyage tous les 6 mois est recommandé.

Pour nettoyer le sèche-mains :

1. Débrancher de l'alimentation.
2. Utiliser la clé à six pans de sécurité fournie pour tourner les vis de fixation du couvercle **dans le sens horaire** afin d'enlever le couvercle du sèche-mains.
3. Utiliser un pinceau à soies douces-moyennes pour nettoyer les peluches, la poussière et les débris des bouches d'arrivée d'air et l'extérieur du moteur.
4. Après nettoyage, remonter le couvercle du sèche-mains à l'aide de la clé à six pans fournie pour tourner les vis de montage du couvercle **dans le sens anti-horaire** et bien serrer. Ne pas trop serrer.

### Remplacement du filtre HEPA

Les filtres d'absorption des particules à haute efficacité (HEPA) éliminent au moins 99,97% des contaminants 0,3 microns de taille ou plus.

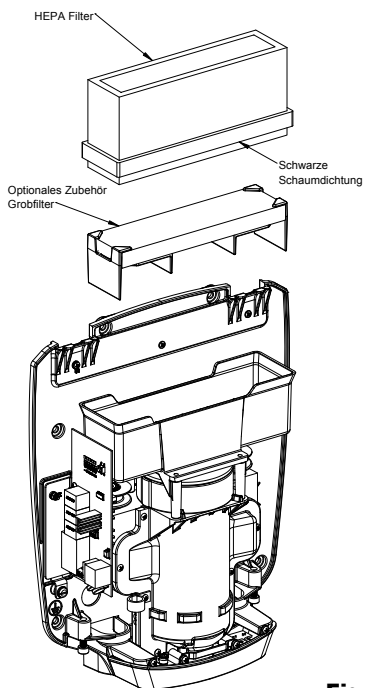
La durée utile d'un filtre HEPA dépend de l'environnement dans lequel le sèche-mains est installé et de sa fréquence d'utilisation. Les toilettes très fréquentées exigeront l'inspection et le remplacement plus fréquents du filtre HEPA. Dans les environnements très poussiéreux et sales ou dans les toilettes très fréquentées, une inspection mensuelle du filtre HEPA est recommandée. Lorsque l'inspection visuelle du filtre HEPA indique une accumulation excessive de peluches, poussières et débris, remplacer le filtre.

L'examen et le remplacement réguliers du filtre HEPA permet de maintenir le fonctionnement efficace du sèche-mains. L'utilisation d'un sèche-mains avec un filtre excessivement sale ou bouché risque d'endommager l'appareil.

Le filtre HEPA ne peut pas être nettoyé et réutilisé. Ne pas nettoyer le filtre HEPA ni le laisser entrer en contact avec de l'eau.

Pour inspecter ou remplacer le filtre HEPA :

1. Débrancher de l'alimentation.
2. Utiliser la clé à six pans de sécurité fournie pour tourner les vis de fixation du couvercle **dans le sens horaire** afin d'enlever le couvercle du sèche-mains.
3. Le retrait et le remplacement du filtre HEPA se font facilement en soulevant le filtre vers le haut hors du boîtier du filtre. Lors du remplacement du filtre, assurez-vous que le joint extérieur noir du filtre est inséré à l'intérieur du boîtier du filtre.
4. Après avoir remplacé le filtre à air, remonter le couvercle du sèche-mains à l'aide de la clé à six pans fournie pour tourner les vis de montage du couvercle **dans le sens anti-horaire** et bien serrer. Ne pas trop serrer.
5. Rebrancher sur l'alimentation.



**Figure 3**

## Filtere à grosses particules

Le filtre à particules grossières accessoire en option empêche l'accumulation de peluches et de débris qui peuvent endommager le moteur électrique et l'élément chauffant. Le remplacement ou le nettoyage régulier du filtre à air est nécessaire pour maintenir le sèche-mains en bon état de fonctionnement. Avec une fréquentation légère à modérée des lieux, un remplacement ou un nettoyage annuel est recommandé. Avec une plus forte fréquentation, le filtre à air doit être remplacé ou nettoyé tous les 6 mois.

Pour remplacer ou nettoyer le filtre à grosses particules :

1. Débrancher de l'alimentation.
2. Utiliser la clé à six pans de sécurité fournie pour tourner les vis de fixation du couvercle dans le sens horaire afin d'enlever le couvercle du sèche-mains.
3. Le retrait et le remplacement du filtre à air se font facilement en soulevant le support de filtre vers le haut hors du boîtier de filtre. Le filtre grossier doit être retiré du support pour le nettoyage ou le remplacement.
4. Utiliser un pinceau de 1,3 cm (1/2 po) à soies douces-moyennes pour nettoyer les peluches, la poussière et les débris du filtre. Si le filtre à air ne peut pas être complètement nettoyé, le remplacer. Insérez le filtre nettoyé ou de remplacement dans le support et remplacez-le dans le boîtier du filtre.
5. Remonter le couvercle du sèche-mains à l'aide de la clé à six pans fournie pour tourner les vis de montage du couvercle dans le sens anti-horaire et bien serrer. Ne pas trop serrer.
6. Rebrancher sur l'alimentation

## DEL diagnostiques

La carte de circuits imprimés inclut un ensemble de DEL indiquant l'état opérationnel du sèche-mains. Au moment de contacter le service technique World Dryer, se tenir prêt à déposer le couvercle du sèche-mains et à communiquer l'état de la DEL dans la mesure où ce renseignement servira à diagnostiquer le problème. Pour l'emplacement des DEL diagnostiques sur la carte de circuits imprimés, voir la figure 1. Pour une interprétation des DEL, voir le tableau 4.

## Interprétation des DEL diagnostiques

Tableau 4

D'erreur	Capteur IR	Paramètres de vitesse	Tension d'alimentation		Indication
			LED 2	LED 1	
LED 5	LED 4	LED 3	LED 2	LED 1	
Clignoter					Tension en dehors de la plage normale
			Allumer	Allumer	La tension détectée est de 120 V
			Allumer	Éteint	La tension détectée est de 208 V
			Éteint	Allumer	La tension détectée est de 240 V
			Éteint	Éteint	La tension détectée est de 277 V
		Allumer			Vitesse est réglée sur Med ou Low
		Éteint			Vitesse est réglée sur Élevée (par défaut)
	Allumer				Capteur IR détecte les mains
	Éteint				Pas de détection de capteur IR



## Tableau de dépannage

Le sèche-mains ne démarre pas.	Entrée d'Alimentation	Vérifiez que le disjoncteur est activé et que le circuit est actif.
	Capteur Verrouillé	Retirez le couvercle de la sècheuse, vérifiez si la LED 4 clignote sur le PCB principal. Si la LED 4 clignote, vérifiez que la lentille du capteur n'est pas obstruée. Nettoyez la lentille avec un chiffon doux et humide et un détergent doux.  Recherchez et retirez tout objet ou surface réfléchissante situé à moins de 46 cm (18 pouces) sous le sèche-linge.
	PCB Défectueux	Si aucune LED n'est allumée sur le PCB principal, appuyez sur le bouton-poussoir de contrôle de vitesse sur le PCB principal. Si la LED 3 ne s'allume pas après avoir appuyé sur le bouton-poussoir, remplacez le PCB principal.
	Capteur Défectueux	Si l'alimentation électrique et le PCB principal sont confirmés comme étant actifs et que la LED 4 ne s'allume pas lorsque les mains sont placées sous le sèche-linge, remplacez le capteur infrarouge.
	Balais du moteur en fin de vie utile	Vérifier les balais du moteur et les remplacer si nécessaire.
	Élément chauffant défectueux <b>(Important : s'applique seulement lors d'un branchement sur du 208 à 277 V)</b>	Si le sèche-mains est branché sur du 208 à 277 V et que toutes les autres causes possibles ont été vérifiées, remplacer l'élément chauffant.
Sèche-mains trop bruyant.	Réglage de vitesse du sèche-mains	Réglez la vitesse du ventilateur pour réduire la vitesse. Voir page 20. En fonctionnement à vitesse MED ou LOW, la LED 3 sera allumée.
La température de l'air est trop basse. La chaleur produite par le sèche-mains fluctue/s'allume et s'éteint en cours de cycle de séchage. La vitesse de la soufflerie du sèche-mains fluctue en cours de cycle de séchage.	Élément chauffant défectueux <b>(Important : s'applique seulement lors d'un branchement sur du 120 V)</b>	Remplacer l'élément chauffant.
Le sèche-mains fonctionne quelques secondes, puis s'arrête. Le sèche-mains ne s'active pas à chaque fois.	Balais du moteur en fin de vie utile	Vérifier les balais du moteur et les remplacer si nécessaire.
	Élément chauffant défectueux <b>(Important : s'applique seulement lors d'un branchement sur du 208 à 277 V)</b>	Remplacer l'élément chauffant.

## Garantie limitée

**GARANTIE LIMITÉE DE DIX ANS de World.** Le modèle de sèche-mains World Dryer couvert dans ce manuel est garanti par World Dryer Corporation à l'acheteur d'origine contre tout défaut de fabrication ou de matériau dans des conditions d'utilisation normales pendant 10 ans à compter de la date d'achat, sauf moteur (7 ans) et capteur (7 ans). Cette garantie exclut l'usure normale et les pièces consommables telles que les filtres HEPA, les brosses à moteur et l'éclairage d'accentuation. Toute pièce présentant un défaut de fabrication ou de matériau et retournée à un centre de service agréé, tel que désigné par World, port payé, sera réparée ou remplacée, au choix de World, à titre de recours exclusif. Voir les procédures de réclamations sous garantie à la section « RÉGLEMENT RAPIDE », ci-dessous. Cette garantie limitée accorde aux acheteurs des droits particuliers qui varient selon les juridictions.

**LIMITES DE RESPONSABILITÉ.** Dans la mesure permise par la loi en vigueur, World décline expressément toute responsabilité pour dommage consécutif ou accessoire. La responsabilité de World est dans tous les cas limitée et ne saurait dépasser le prix d'achat.

**EXONÉRATION DE GARANTIE.** World s'est efforcée d'illustrer et de décrire avec exactitude les produits de cette brochure. Toutefois, ces illustrations et ces descriptions ne sont données qu'aux fins d'identification et ne constituent pas une garantie expresse ou implicite que les produits sont de QUALITÉ MARCHANDE ou ADAPTÉS À UN USAGE PARTICULIER, ou qu'ils seront nécessairement conformes aux illustrations ou aux descriptions fournies. Sauf ce qui est stipulé ci-dessous, aucune garantie ou affirmation de fait, expresse ou implicite, autre que celle énoncée à la section « GARANTIE LIMITÉE » ci-dessus, n'est fournie ou autorisée par World.

**ADÉQUATION DU PRODUIT.** Dans de nombreuses juridictions, les normes et les règles qui régissent les ventes, la construction, l'installation et/ou l'utilisation de produits à certaines fins peuvent être différentes de celles des régions avoisinantes. Bien que World se soit efforcée de rendre ses produits conformes à ces codes, la société ne peut en garantir la conformité et ne saurait être responsable de la manière dont les produits sont installés ou utilisés. Avant d'acheter et d'utiliser un produit, il est conseillé d'étudier son application ainsi que les normes et règlements nationaux et locaux, et de s'assurer que le produit, son installation et son utilisation y sont conformes.




Certains aspects des exonérations de garantie ne sont pas applicables aux produits de consommation. Par exemple, (a) certaines juridictions n'autorisent pas l'exclusion ou la limitation des dommages accessoires ou consécutifs, de sorte que ladite limitation ou exclusion peut ne pas s'appliquer à votre situation; (b) de plus, certaines juridictions n'autorisant pas de limiter la durée d'une garantie implicite, il se peut que la limite mentionnée ci-dessus ne s'applique pas à votre situation; et (c) en vertu de la loi, au cours de la période de garantie limitée, toute garantie implicite de valeur marchande ou d'adéquation à un usage particulier applicable aux produits de consommation achetés par des consommateurs, est susceptible de ne pas pouvoir être exclue ou autrement exonérée.

Fabriqué par World Dryer Corporation, Bensenville, Illinois 60106 États-Unis

**RÉGLEMENT RAPIDE.** World s'efforcera en toute bonne foi d'apporter rapidement les corrections ou les ajustements prévus à tout produit qui s'avère défectueux au cours de la période de garantie limitée. Pour tout produit jugé défectueux au cours de la période de garantie limitée, contacter tout d'abord le marchand chez qui l'appareil a été acheté. Le marchand fournira des instructions supplémentaires. S'il est impossible de résoudre le problème de façon satisfaisante, écrire à World à l'adresse ci-dessous, en indiquant le nom et l'adresse du marchand, la date et le numéro de la facture du marchand, ainsi que la nature de la défectuosité. Le titre et le risque de perte passent à l'acheteur au moment de la livraison par le transporteur. Si le produit a été endommagé pendant le transport, une réclamation doit être adressée auprès du transporteur.

## Technische Daten – Elektrik

**Tabelle 1**

Modelos	Typ	Elektrische Nennwerte	Zertifikationen
Q-XXXV2	Ein- und Ausschaltautomatik	115 / 208 / 230 VAC 950W 50/60Hz 277 VAC 1150W 50/60Hz	   IP24

## Allgemeine Sicherheitsinformationen

### **GEFAHR**

Wird das Gerät vor der Montage bzw. der Wartung nicht von der Stromquelle getrennt, kann dies zu schwerwiegenden Verletzungen oder Tod durch elektrischen Schlag führen. Den Händetrockner vor Wartungsarbeiten oder der Montage des Geräts stets von der Stromquelle trennen.

Wird dieses Gerät nicht ordnungsgemäß geerdet, kann dies zu einem schweren elektrischen Schlag und/oder zum Tod führen. Der Händetrockner muss ordnungsgemäß geerdet werden, damit ein sicherer Betrieb gewährleistet ist. An der Wandbasis des Händetrockners findet sich ein gekennzeichnete Erdungspunkt.

### **WARNHINWEIS**

Eine Nichtbeachtung örtlicher Elektrovorschriften bzw. Sicherheitsempfehlungen kann zu Bränden, Verletzungen oder Sachschäden führen. Dieser Trockner muss in Übereinstimmung mit den geltenden örtlichen Vorschriften für elektrische Geräte wie NEC (National Electrical Code) oder CEC (Canadian Electrical Code) installiert werden.

Dieses Gerät ist nicht für kleine Kinder oder Personen mit physischen, sensorischen oder geistigen Behinderungen bestimmt, es sei denn, sie werden von einer verantwortlichen Person beaufsichtigt, um sicherzustellen, dass sie das Gerät sicher verwenden können. Kleine Kinder sind zu beaufsichtigen, um sicherzustellen, dass sie nicht mit dem Gerät spielen. Verwenden Sie diesen Trockner nur für den vorgesehenen Zweck. Nicht als Föhn verwenden.

Die Montage und Wartung nur von qualifizierten Elektrikern durchführen lassen. Nur die für das zu montierende Händetrockner-Modell elektrische spannung und frequenz verwenden. Schließen Sie den Händetrockner mit einem Trennmittel, das den örtlichen Verdrahtungsvorschriften entspricht und eine höhere elektrische Leistung aufweist als auf dem Typenschild des Trockners angegeben, an eine geeignete Verteilertafel an. Verwenden Sie mindestens 2,08 mm<sup>2</sup> (AWG 14) oder größerer draht. Schließen Sie keine Stromkreise an, die Beleuchtung oder andere Geräte versorgen. Der Trockner muss an einen unabhängigen Stromkreis angeschlossen werden. Der Versorgungsstromkreis darf nicht über ein externes Schaltgerät wie eine Zeitschaltuhr gespeist oder an einen Stromkreis angeschlossen werden, der regelmäßig vom Versorgungsunternehmen ein- und ausgeschaltet wird. Zum schutz der stromversorgungskabel armaturen mit glatten, abgerundeten oerflächen. smtliche Feldverkabelungen in sicherer entfernung von beweglichen teilen im händetrockner verlegen.

 **WARNHINWEIS** Krebs und Reproduktiver Schaden - [www.p65warnings.ca.gov](http://www.p65warnings.ca.gov)

### **VORSICHT**

Eine unsachgemäße Montage kann zu Verletzungen oder Sachschäden führen. Die Empfehlungen zur Montagehöhe in Tabelle 2 beachten. An einer Pfeilerwand sollte eine Seite des Händetrockners an einem vorhandenen Pfeiler montiert werden.

## Auspacken

Packen Sie alle Artikel aus dem Versandkarton aus. Zu den verpackten Artikeln gehören ein Händetrockner, eine Bedienungsanleitung, eine Montageschablone und ein Schraubenschlüssel. Prüfen und melden Sie fehlende oder beschädigte Artikel.

## Instalación

1. Trennen Sie die Stromquelle vom Verteilerfeld.
2. Ermitteln Sie die empfohlene Montagehöhe für Geschlecht / Alter (Tabelle 2). Wählen Sie einen Montageort, an dem sich keine reflektierenden Oberflächen (Arbeitsplatte oder Waschbecken) mindestens 180 Zoll (46 cm) unterhalb des Trockners befinden. Vermeiden Sie die Montage an Orten, an denen der Trockner direktem Tageslicht (Sonnenlicht) ausgesetzt ist. Bei Montage neben einem vorhandenen Trockner sollten die Trockner mindestens 24 Zoll (61 cm) voneinander entfernt sein.
3. Wählen Sie den Zugang für die elektrischen Anschlüsse auf der Rückseite oder der Unterseite der Trockner-Montageplatte, der dem Zugang für die Versorgungskabel entspricht.
4. Markieren Sie mit der mitgelieferten Montageschablone die Positionen für die Montagebohrungen an der Wand. Stellen Sie bei Ständerwänden sicher, dass mindestens eine Befestigungsstelle an einem Ständer befestigt ist.
5. Lösen Sie mit dem mitgelieferten Schraubenschlüssel die Abdeckungsbefestigungsschrauben (drehen Sie die Schrauben im Uhrzeigersinn), um die Abdeckung vom Trockner zu entfernen.
6. Befestigen Sie den Sockel mit den empfohlenen Schrauben an der Wand (Tabelle 3).
7. Schließen Sie den Trockner an die Zuleitung an.
8. Setzen Sie die Abdeckung wieder ein und ziehen Sie die Befestigungsschrauben der Abdeckung fest (drehen Sie die Schrauben gegen den Uhrzeigersinn). Achten Sie dabei darauf, dass Sie sie nicht zu fest anziehen.
9. Schließen Sie die Stromquelle an der Verteilertafel an.

**Tabelle 2**

Empfohlene Montagehöhen (Boden zum Trockner)	cm (Zoll)
Waschraum für Männer	117 (46)
Waschraum für Frauen	112 (44)
Waschraum für Kinder zwischen 4 und 7 Jahren	81 (32)
Waschraum für Kinder zwischen 7 und 10 Jahren	91 (36)
Waschraum für Kinder zwischen 10 und 13 Jahren	102 (40)
Waschraum für Kinder zwischen 13 und 17 Jahren	112 (44)
Montagehöhe für Benutzung durch Behinderte	94 (37)

**Tabelle 3**

Art der Wand	Schraubentyp
Hohlziegel, Latte, Leichtbauplatte oder Metall	Nr. 10 (M5) Schrauben- oder Flügelschrauben
Zement, Ziegelstein oder Fliesen auf Zement oder Ziegelstein	Nr. 10 (M5) Kunststoff- Flanschanker für Blockoder Ziegel
Wand mit Ständerprofil und Holzhinterlegung	Nr. 12 (5,5 mm) Holzschrauben

## Einstellen der Gebläsedrehzahl

Diese Modelle verfügen über eine verstellbare Gebläsedrehzahlsteuerung mit drei Betriebsstufen – Hi (Hoch), Med (Mittel) und Low (Niedrig). Der Schalter hierfür befindet sich auf der Leiterplatte im Trockner (siehe nachstehend Abb. 1).

### Hinweis: Die werkseitige Einstellung für die Gebläsedrehzahlsteuerung lautet „Hi“ (Hoch).

Einstellen der Gebläsedrehzahl:

1. Das Gerät von der Stromquelle trennen.
2. Die Befestigungsschrauben der Abdeckung mit dem im Lieferumfang enthaltenen Inbusschlüssel **im Uhrzeigersinn** drehen, um die Abdeckung vom Trockner abzunehmen.
3. Mit dem Schalter auf der Leiterplatte im Trockner (siehe nachstehend Abb. 1) die Drehzahl des Gebläses je nach Bedarf einstellen. (Hinweis: Bei mittlerer oder niedriger Geschwindigkeit leuchtet die LED 3 auf der gedruckten Schaltung.) Die Abdeckung des Trockners mithilfe des im Lieferumfang enthaltenen Inbusschlüssels wieder anbringen. Die Befestigungsschrauben **entgegen dem Uhrzeigersinn** drehen und festziehen. Die Schrauben nicht zu fest anziehen.
4. Das Gerät wieder an die Stromquelle anschließen.

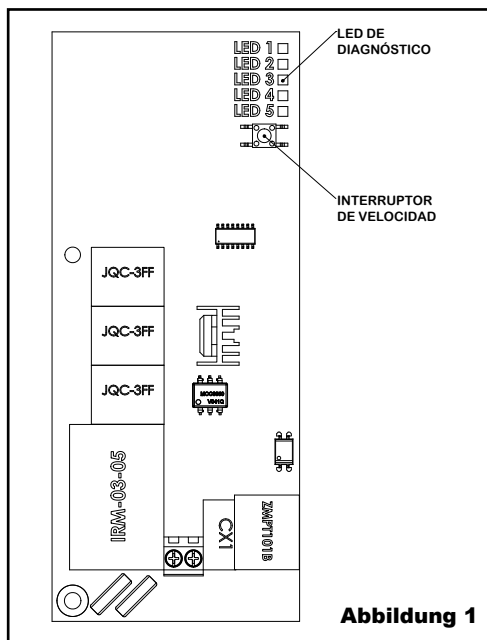


Abbildung 1

## Akzentbeleuchtung

Die Akzentbeleuchtung des Trockners kann auf Dauerbetrieb eingestellt werden oder nur, wenn der Trockner zum Händetrocknen aktiviert ist (werkseitige Standardeinstellung). Der energieeffizienteste Betrieb erfolgt mit der werkseitigen Standardeinstellung. Um den Beleuchtungsmodus zu ändern, drücken Sie den in Abb. 2 gezeigten Lichtmodusschalter.

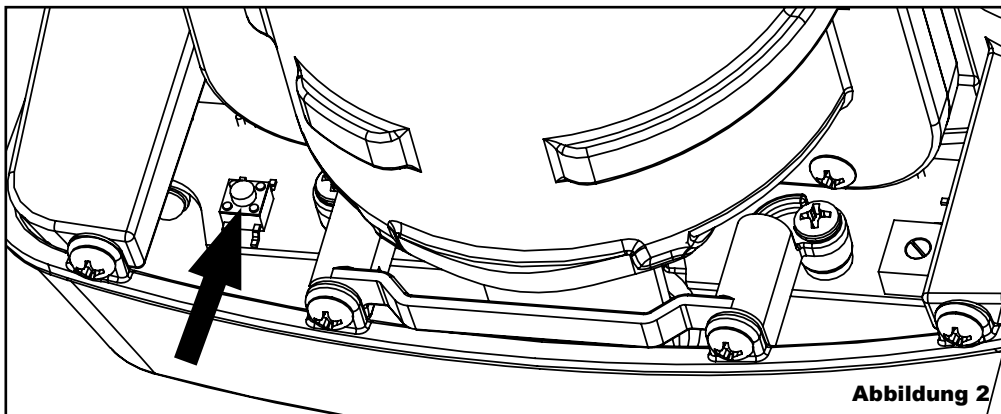
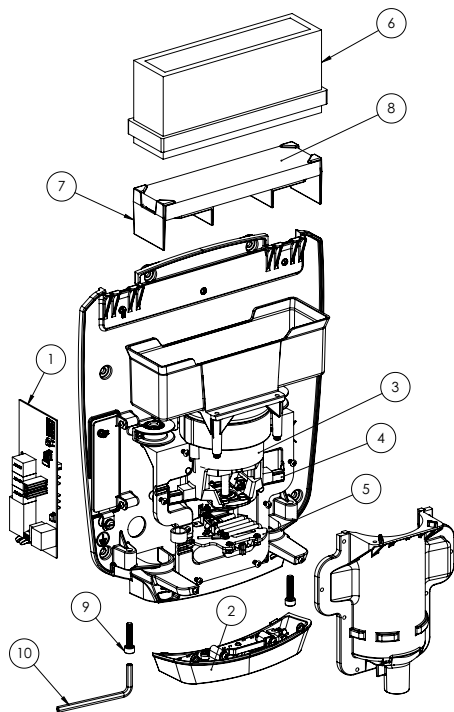


Abbildung 2

## Ersatzteilliste



Reparaturteile finden Sie unter [www.WorldDryer.com](http://www.WorldDryer.com).

Geben Sie bitte die folgenden Informationen an:

- Modellnummer
- Seriennummer
- Teilebeschreibung und in der Teileliste aufgeführte Nummer

#	Beschreibung	Teilenummer
1	Satz, Haupttrocknersteuerung	16-10489K
2	Satz, IR-Sensor mit Akzentbeleuchtung	49-10505K
3	Satz, Motoren	32-10268K
4	Satz, Ersatzbürsten für Motoren	32-10337K
5	Satz, Heizelement	21-10306K
6	Filter, HEPA	93-10490K
7	Zubehör - Grobfilter mit Halterung	93-10506K
8	Filter, Grobe Partikel (für Trockner ohne HEPAFilter)	93-10496
9	Satz, Sicherheitsschrauben (inklusive Schraubenschlüssel)	46-040221K
10	Schlüssel, Manipulationssicher	56-40189

## Wartungs- und Reinigungsanweisungen

**WICHTIG:** Im Trockner können sich Flusen und Schmutzrückstände ansammeln, die natürlich in der Luft vorhanden sind. Eine übermäßige Ansammlung von Flusen und Schmutzrückständen kann zu Schäden am Motor und am Heizelement führen. Der Trockner sollte **regelmäßig gereinigt werden, um ihn in gutem Betriebszustand zu halten.** Für wenig bis mittelstark frequentierte Bereiche wird empfohlen, den Trockner einmal jährlich zu reinigen. Für stark frequentierte Bereiche sollte der Trockner alle 6 Monate gereinigt werden.

Reinigung des Händetrockners:

1. Das Gerät von der Stromquelle trennen.
2. Die Befestigungsschrauben der Abdeckung mit dem im Lieferumfang enthaltenen Inbusschlüssel **im Uhrzeigersinn** drehen, um die Abdeckung vom Trockner abzunehmen.
3. Mit einer Bürste mit weichen bis mittelharten Borsten Flusen, Staub und Schmutzrückstände von den Lufteinlassschlitzen und der Außenseite des Motors abwischen.
4. Nach der Reinigung die Abdeckung des Trockners mithilfe des im Lieferumfang enthaltenen Inbusschlüssels wieder anbringen. Die Befestigungsschrauben der Abdeckung **entgegen dem Uhrzeigersinn** drehen und festziehen. Die Schrauben nicht zu fest anziehen.

### Auswechseln eines HEPA-Filters

Partikelabsorptionsfilter mit hohem Wirkungsgrad (HEPA) entfernen mindestens 99,97% der Verunreinigungen mit einer Größe von 0,3 Mikrometern oder mehr.

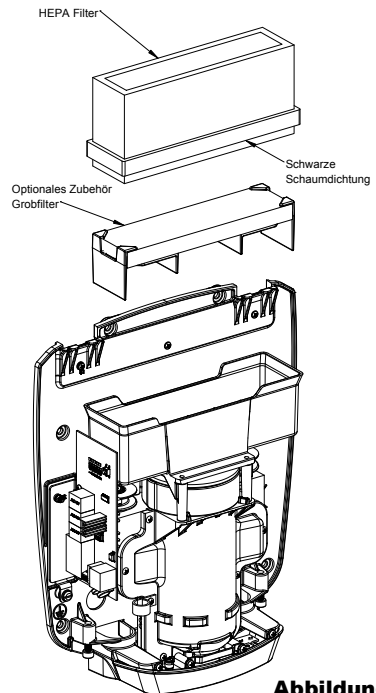
Die Lebensdauer des HEPA-Filters hängt von der Umgebung ab, in dem der Trockner installiert ist, sowie von der Nutzungsfrequenz. Stark frequentierte Bereiche bzw. eine starke Nutzung des Trockners machen häufigere Inspektionen und ein häufigeres Auswechseln des HEPA-Filters erforderlich. In Umgebungen mit übermäßigem Staub und Schmutz oder bei stark frequentierten Bereichen wird eine monatliche Inspektion des HEPA-Filters empfohlen. Wenn die Sichtprüfung des HEPA-Filters eine übermäßige Ansammlung von Flusen, Staub und Schmutz ergibt, ist der Filter auszuwechseln.

Durch die regelmäßige Kontrolle und das regelmäßige Auswechseln des HEPA-Filters wird dafür gesorgt, dass der Händetrockner effizient arbeitet. Wird ein Händetrockner mit einem übermäßig verschmutzten bzw. einem verstopften Filter betrieben, kann der Händetrockner dadurch Schaden nehmen.

Der HEPA-Filter kann nicht gereinigt und wiederverwendet werden. Den HEPA-Filter nicht reinigen bzw. nicht mit Wasser in Berührung kommen lassen.

Inspizieren bzw. Auswechseln des HEPA-Filters:

1. Das Gerät von der Stromquelle trennen.
2. Die Befestigungsschrauben der Abdeckung mit dem im Lieferumfang enthaltenen Inbusschlüssel **im Uhrzeigersinn** drehen, um die Abdeckung vom Trockner abzunehmen.
3. Das Entfernen und Ersetzen des HEPA-Filters erfolgt auf einfache Weise, indem der Filter nach oben aus dem Filtergehäuse herausgehoben wird. Stellen Sie beim Austausch des Filters sicher, dass die schwarze Außendichtung des Filters im Filtergehäuse eingesetzt ist.
4. Nach dem Auswechseln des HEPA-Filters die Abdeckung des Trockners mithilfe des im Lieferumfang enthaltenen Inbusschlüssels wieder anbringen. Die Befestigungsschrauben der Abdeckung **entgegen dem Uhrzeigersinn** drehen und festziehen. Die Schrauben nicht zu fest anziehen.
5. Das Gerät wieder an die Stromquelle anschließen.



**Abbildung 3**

## Grobstaubfilter

Der grobe Partikelfilter verhindert, dass sich Fussel und Ablagerungen ansammeln die den Motor und das Heizelement beschädigen können. Der Luftfilter muss regelmäßig ausgewechselt bzw. gereinigt werden, um den Trockner in gutem Betriebszustand zu halten. Für wenig bis mittelstark frequentierte Bereiche wird empfohlen, den Luftfilter einmal jährlich auszuwechseln bzw. zu reinigen. Für stark frequentierte Bereiche sollte der Luftfilter alle 6 Monate ausgewechselt bzw. gereinigt werden.

Auswechseln bzw. Reinigen des Grobstaub-Luftfilters:

1. Das Gerät von der Stromquelle trennen.
2. Die Befestigungsschrauben der Abdeckung mit dem im Lieferumfang enthaltenen Inbusschlüssel **im Uhrzeigersinn** drehen, um die Abdeckung vom Trockner abzunehmen.
3. Das Entfernen und Ersetzen des Luftfilters erfolgt einfach durch Anheben der Filterhalterung nach oben aus dem Filtergehäuse. Der Grobfilter sollte zur Reinigung oder zum Austausch aus der Halterung entfernt werden.
4. Mit einer 1,3 cm breiten Bürste mit weichen bis mittelharten Borsten Flusen, Staub und Schmutzrückstände vom Filter wischen. Wenn der Luftfilter nicht vollständig von Schmutzrückständen gereinigt werden kann, den Filter auswechseln.
5. Bringen Sie den Deckel mit dem mitgelieferten Inbusschlüssel wieder am Trockner an. Drehen Sie die Befestigungsschrauben der Abdeckung **gegen den Uhrzeigersinn**, bis sie fest sitzen. Die Schrauben nicht zu fest anziehen.
6. Das Gerät wieder an die Stromquelle anschließen.

## Anzeige der Diagnose-LED-Leuchten

Auf der Leiterplatte befindet sich ein Satz LED-Leuchten, die den Betriebsstatus des Händetrockners anzeigen. Bei der Kontaktaufnahme mit dem technischen Kundendienst (Technical Service) von World Dryer sollten Sie darauf vorbereitet sein, die Abdeckung des Trockners abzunehmen und den Zustand der LED-Leuchten anzugeben, da dieser für die Fehlersuche zweckdienlich sein kann. Siehe Abbildung 1 für die Lage der Diagnose-LED-Leuchten auf der Leiterplatte. Siehe Tabelle 4 für eine Erklärung der jeweiligen LED-Funktion.

## Funktion der Diagnose-LED-Leuchten

**Tabelle 4**

Fehler	IR-Sensor	Drehzahl	Betriebsspannung		Hinweis
			LED 2	LED 1	
LED 5	LED 4	LED 3	LED 2	LED 1	
Blinkicht					Spannung außerhalb des normalen Bereichs
			AUF	AUF	Die Versorgungsspannung beträgt 120V
			AUF	AUS	Die Versorgungsspannung beträgt 208V
			AUS	AUF	Die Versorgungsspannung beträgt 240V
			AUS	AUS	Die Versorgungsspannung beträgt 277V
		AUF			Die Gebläsedrehzahl ist auf Mittel oder Niedrig
		AUS			Gebläsedrehzahl ist hoch (Standard)
	AUF				IR-Sensor erkennt Hände
	AUS				Keine IR-Sensorerkennung



## Fehlersuche

Trockner startet nicht.	Eingangsstromversorgung	Vergewissern Sie sich, dass der Leistungsschalter eingeschaltet und der Stromkreis aktiv ist.
	Sensor Gesperrt	Entfernen Sie die Trocknerabdeckung. Überprüfen Sie, ob die LED 4 auf der Hauptplatine blinkt. Wenn LED 4 an / aus blinkt, prüfen Sie die Sensorlinse auf Fremdkörper. Reinigen Sie die Linse mit einem weichen, feuchten Tuch und einem milden Reinigungsmittel.  Suchen Sie nach Gegenständen oder reflektierenden Oberflächen und entfernen sie näher als 46 cm unter dem Trockner.
	Defekte Leiterplatte	Wenn auf der Hauptplatine keine LEDs leuchten, drücken Sie den Geschwindigkeitsregler-Druckknopf auf der Hauptplatine. Wenn die LED 3 nach dem Drücken des Drucktasters nicht aktiviert wird, tauschen Sie die Hauptplatine aus.
	Sensor defekt	Wenn bestätigt wird, dass Stromversorgung und Hauptplatine aktiv sind und LED 4 nicht leuchtet, wenn die Hände unter den Trockner gelegt werden, ersetzen Sie den IR-Sensor.
	Motorbürsten haben Standzeitende erreicht	Motorbürsten kontrollieren und bei Bedarf austauschen.
	Heizelement defekt ( <b>Wichtig:</b> Nur zutreffend, wenn der Trockner an einem Netzanschluss mit einer Spannung zwischen 208 V und 277 V angeschlossen ist.)	Wenn der Trockner an einem Netzanschluss mit einer Spannung zwischen 208 und 277 V angeschlossen ist und alle anderen möglichen Ursachen überprüft wurden, Heizelement austauschen.
	Trockner zu laut.	Passen die Trocknergeschwindigkeit
Lufttemperatur ist zu kalt. Die Heizleistung des Trockners schwankt/ schaltet sich während eines Trockenzyklus ein und aus. Die Drehzahl des Trockners schwankt während eines Trockenzyklus nach oben und unten.	Heizelement defekt ( <b>Wichtig:</b> Nur zutreffend, wenn der Trockner an einem Netzanschluss mit einer Spannung von 120 V angeschlossen ist.)	Heizelement austauschen.
Trockner läuft nur einige Sekunden lang und schaltet sich dann aus. Trockner schaltet sich nicht jedes Mal ein.	Motorbürsten haben Standzeitende erreicht	Motorbürsten kontrollieren und bei Bedarf austauschen.
	Heizelement defekt ( <b>Wichtig:</b> Nur zutreffend, wenn der Trockner an einem Netzanschluss mit einer Spannung zwischen 208 V und 277 V angeschlossen ist.)	Heizelement austauschen.

## Garantie limitée

**INGESCHRÄNKTE ZEHN-JAHRES-GARANTIE VON World.** World Dryer Coporation gewährt dem Erstbenutzer des in diesem Handbuch beschriebenen Warmluft- Händetrocknermodells eine Garantie gegen Verarbeitungs- oder Materialmängel bei normaler Benutzung für einen Zeitraum von 10 Jahren ab Kaufdatum außer Motor (7 Jahre) und Sensor (7 Jahre). Diese Garantie schließt normalen Verschleiß und Verbrauchsteile wie HEPA-Filter, Motorbürsten und Akzentbeleuchtung aus.. Teile, bei denen das Material bzw. die Verarbeitung als fehlerhaft befunden wird und die mit vorausbezahlten Versandkosten an eine befugte, von World bestimmte Kundendienststelle eingesandt werden, werden als ausschließliche Abhilfemaßnahme im Ermessen von World repariert bzw. ersetzt. Informationen zur Abwicklung von Ansprüchen unter der eingeschränkten Garantie sind im nachstehenden Abschnitt UNVERZÜGLICHE MÄNGELBESEITIGUNG zu finden. Diese eingeschränkte Garantie verleiht dem Käufer bestimmte Rechte, die in jeder Rechtsordnung verschieden sein können.

**HAFTUNGSBESCHRÄNKUNG.** World lehnt die Haftung für Folgeschäden und Nebenkosten ausdrücklich ab, soweit dies gesetzlich zulässig ist. Die Haftung von World beschränkt sich in allen Fällen auf den gezahlten Kaufpreis und darf diesen nicht überschreiten.

**HAFTUNGSAUSSCHLUSS.** World ist immer bestrebt, gewissenhaft zusammengestellte Produktinformationen zur Verfügung zu stellen und das Produkt in diesem Anweisungsblatt genau abzubilden. Solche Informationen und Abbildungen sind jedoch nur zur Identifikation gedacht und stellen keine ausdrückliche oder stillschweigende Garantie für die ALLGEMEINE GEBRAUCHSTAUGLICHKEIT der Produkte bzw. die GEEIGNETHEIT FÜR EINEN BESTIMMTEN ZWECK dar, sowie auch keine Garantie dafür, dass die Produkte notwendigerweise den Abbildungen oder Beschreibungen entsprechen. Vorbehaltlich unten stehender Bestimmungen übernimmt oder autorisiert World keine ausdrückliche oder stillschweigende Garantie oder Zusicherung von Tatsachen neben den vorstehenden Bestimmungen in „EINGESCHRÄNKTE GARANTIE“.

**GEEIGNETHEIT UND ANGEMESSENHEIT DES PRODUKTS.** In vielen Rechtsordnungen gibt es Gesetze und Regelungen zum Kaufrecht, zur Bauweise, Installation und/ oder zur Verwendung von Produkten für bestimmte Zwecke, welche sich von angrenzenden Gebieten unterscheiden können. Obwohl World bestrebt ist, sicherzustellen, dass die Produkte diesen Gesetzen entsprechen, kann keine Garantie dafür übernommen werden und World ist nicht dafür verantwortlich, wie das Produkt installiert oder verwendet wird. Vor dem Kauf und der Verwendung eines Produkts muss der Käufer sich mit den Anwendungsmöglichkeiten des Produkts sowie allen zutreffenden nationalen und örtlichen Gesetzen und Regelungen vertraut machen und sicherstellen, dass das Produkt sowie dessen Montage und Verwendung mit diesen Vorschriften übereinstimmen wird.




Bestimmte Aspekte von Haftungsausschlüssen gelten nicht für Verbraucherprodukte, z. B. (a) in einigen Rechtsordnungen ist der Ausschluss oder die Beschränkung der Haftung für Folgeschäden oder Nebenkosten ausgeschlossen und daher kann es sein, dass die vorstehenden Beschränkungen oder Ausschlüsse für Sie keine Anwendung finden, (b) in einigen Rechtsordnungen ist auch die zeitliche Beschränkung einer stillschweigenden Garantie unzulässig und daher wäre die vorstehende Haftungsbeschränkung in einem solchen Fall für Sie nicht anwendbar und (c) es ist gesetzlich vorgeschrieben, dass während der Laufzeit dieser eingeschränkten Garantie stillschweigende Garantien für konkludente Zusicherung der allgemeinen Gebrauchstauglichkeit oder Geeignetheit für einen bestimmten Zweck hinsichtlich von Verbrauchern erworbener Verbraucherprodukte nicht ausgeschlossen oder anderweitig abgelehnt werden können.

Hergestellt von World Dryer Corporation, Bensenville, Illinois 60106, USA.

**UNVERZÜGLICHE MÄNGELBESEITIGUNG.** World wird sich im Hinblick auf alle Produkte, die innerhalb der eingeschränkten Garantiezeit einen erwiesenen Mangel aufweisen, gutgläubig um eine unverzügliche Mängelbeseitigung oder einen Ausgleich bemühen. Jede Kommunikation in Bezug auf ein mangelhaftes Produkt innerhalb der eingeschränkten Garantiezeit ist zunächst schriftlich oder telefonisch an den Händler zu richten, von dem das Produkt erworben wurde. Der Händler wird dann zusätzliche Anweisungen zur Verfügung stellen. Sollte das Problem nicht zufriedenstellend behoben werden können, wenden Sie sich schriftlich an World unter der nachstehenden Adresse. Geben Sie dabei den Namen und die Adresse des Händlers sowie Rechnungsdatum und -nummer an und beschreiben Sie die Art des Mangels. Mit der Übergabe an ein Transportunternehmen gehen Eigentum und Verlustrisiko auf den Käufer über. Wenn das Produkt beim Transport beschädigt wurde, sind Ansprüche an das Transportunternehmen zu richten.

## Specifiche elettriche

Tabella 1

Modelli	Tipo	Caratteristiche elettriche	Certificazioni
Q-XXXV2	Ein- und Ausschaltautomatik	115 / 208 / 230 VAC 950W 50/60Hz 277 VAC 1150W 50/60Hz	   IP24

## Allgemeine Sicherheitsinformationen

### **PERICOLO**

Il mancato scollegamento dalla fonte di alimentazione prima dell'installazione o della riparazione potrebbe causare gravi lesioni o morte da folgorazione. Scollegare sempre la fonte di alimentazione prima di riparare o installare l'asciugatrice.


La messa a terra non adeguata di questa unità potrebbe causare grave folgorazione e/o morte. Per garantirne un funzionamento sicuro, questo asciugamani deve avere un'adeguata messa a terra. Sulla base inferiore dell'asciugatrice è indicato un punto di collegamento per messa a terra.

### **AVVERTENZA**

Qualora non si rispettino i codici vigenti a livello locale o i consigli sulla sicurezza, esiste il pericolo di incendio, lesioni a persone o danni alle cose. Questo essiccatore deve essere installato in conformità con gli attuali codici elettrici locali come NEC (National Electrical Code) o CEC (Canadian Electrical Code).

Questo apparecchio non è inteso per l'uso da parte di bambini piccoli o persone affette da disabilità fisica, sensoria o mentale se non sono sorvegliati da una persona responsabile che garantisca che l'apparecchio venga usato in maniera sicura. I bambini piccoli devono essere sorvegliati per garantire che non giochino con l'apparecchio. Utilizzare questo essiccatore solo per lo scopo previsto. Non usare come asciugacapelli.

L'installazione e la riparazione devono essere eseguite solo da elettricisti qualificati. Utilizzare solo elettrica tensione e frequenza specificata per il modello di asciugatrice installato. Collegare l'asciugatrice a un pannello di distribuzione adatto con una disconnessione significa conforme i codici di cablaggio locali e avere una potenza elettrica superiore a quella indicata sull'etichetta della valutazione dell'essiccatore. Utilizzare filo 14 AWG (2,08 mm<sup>2</sup>) o più grande. Non collegare a un circuito che fornisce illuminazione o altri apparecchi. L'essiccatore deve essere collegato a un circuito indipendente. Il circuito di alimentazione non deve essere alimentato tramite un dispositivo di commutazione esterno, come un timer, né essere collegato a un circuito che viene regolarmente acceso e spento dall'utilità. Utilizzare raccordi con superfici arrotondate lisce per la protezione dei cavi di alimentazione. Instradare tutti i cavi di campo lontano dalle parti mobili all'interno dell'essiccatore.

 **AVVERTENZA** Cancro e Danno Riproduttivo - [www.p65warnings.ca.gov](http://www.p65warnings.ca.gov)

### **ATTENZIONE**

Un attacco inadeguato potrebbe causare lesioni a persone o danni a cose. Seguire le indicazioni relative all'altezza di montaggio contenute nella Tabella 2. Su una parete con montanti in legno, un lato dell'asciugatrice deve essere montato su uno dei montanti.

## Disimballaggio

Disimballare tutti gli articoli dalla confezione di spedizione. Gli articoli confezionati dovrebbero includere asciugamani, manuale d'uso, dima di montaggio e chiave antimanomissione. Rivedi e segnala eventuali articoli mancanti o danneggiati.

## Installazione

1. Scollegare la fonte di alimentazione dal pannello di distribuzione.
2. Determinare l'altezza di montaggio consigliata per sesso / età (Tabella 2). Selezionare una posizione di montaggio in cui nessuna superficie riflettente (piano di lavoro o lavabo) non sia inferiore a 46 cm (18 pollici) sotto l'asciugatrice. Evitare il montaggio in luoghi in cui l'asciugatrice potrebbe essere direttamente esposta alla luce naturale (luce solare). Durante il montaggio adiacente ad un essiccatore esistente, gli essiccatori devono essere distanziati di almeno 24 pollici (61 cm).
3. Selezionare l'accesso per i collegamenti elettrici attraverso la parte posteriore o inferiore della piastra di montaggio dell'essiccatore corrispondente all'accesso del cablaggio di alimentazione.
4. Utilizzando la dima di montaggio fornita, contrassegnare le posizioni dei fori dei bulloni di montaggio sulla parete. Per le pareti con borchie, assicurarsi che almeno una posizione di fissaggio sia fissata a un borchia di legno.
5. Utilizzare la chiave in dotazione per allentare le viti di montaggio del coperchio (ruotare le viti in senso orario) per rimuovere il coperchio dall'essiccatore.
6. Fissare la base alla parete, utilizzando il tipo di bulloni raccomandato (Tabella 3).
7. Collegare l'essiccatore al cablaggio di alimentazione.
8. Riposizionare il coperchio, serrare le viti di montaggio del coperchio (ruotare le viti in senso antiorario) facendo attenzione a non serrare eccessivamente.
9. Collegare la fonte di alimentazione al pannello di distribuzione.

**Tabella 2**

Altezze di montaggio consigliate (Da pavimento a asciugatrice)	cm (pollici)
Bagno per uomini	117 (46)
Bagno per donne	112 (44)
Bagno per bambini (4-7 anni)	81 (32)
Bagno per bambini (7-10 anni)	91 (36)
Bagno per bambini (10-13 anni)	102 (40)
Bagno per bambini (13-17 anni)	112 (44)
Altezza di montaggio per persone affette da handicap	94 (37)

**Tabella 3**

Tipo di parete	Tipo di bullone
Piastrella vuota, graticcio, cartongesso o metallo	Vite da n. 10 (M5) o bulloni con dado ad alette espansibili
Cemento o mattoni, con o senza piastrelle	Bulloni di espansione con perno da n. 10 (M5)
Parete con montanti e rinforzo in legno	Viti da legno n. 12 (M5,5)

## Regolazione della velocità della ventola

In questi modelli la velocità della ventola può essere regolata su tre livelli, alto, medio e basso. L'interruttore si trova sulla scheda all'interno dell'unità, come mostrato nella Figura 1 in basso.

**Nota: L'impostazione predefinita di fabbrica per la velocità della ventola è "Alta".**

Per regolare la velocità della ventola:

1. Scollegare la fonte di alimentazione.
2. Utilizzare la chiave esagonale di sicurezza in dotazione per girare le viti di montaggio **in senso orario** per rimuovere la copertura dall'asciugamani.
3. Individuare l'interruttore sulla scheda come mostrato in Figura 1 in basso, e selezionare la velocità desiderata. (Nota: A media o bassa velocità, il LED 3 si illumina sul circuito stampato.) Premere e rilasciare l'interruttore di velocità per alternare tra Hi, Med e Low. Rimontare la copertura dell'asciugamani avvalendosi della chiave esagonale di sicurezza in dotazione per girare le viti di montaggio **in senso antiorario** e serrare fin quando risultano sicure. Non serrare in eccedenza.
4. Collegare nuovamente la fonte di alimentazione.

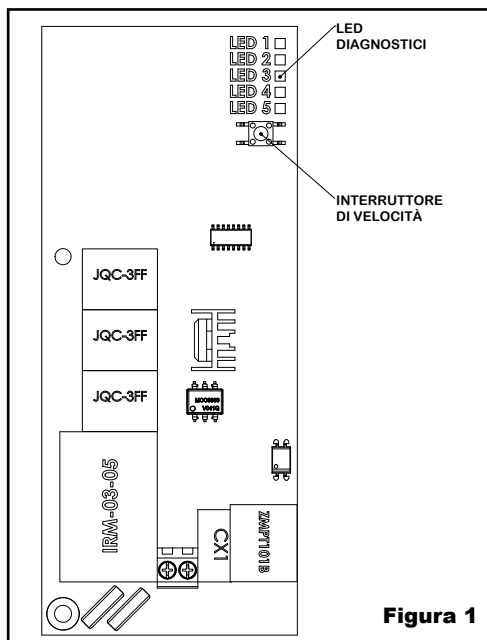


Figura 1

## Illuminazione d'Accento

L'illuminazione d'accento dell'asciugatrice può essere regolata per funzionare in modo continuo o solo quando l'asciugatrice è attivata per asciugare le mani (impostazione di fabbrica predefinita). Il funzionamento più efficiente dal punto di vista energetico è con le impostazioni di fabbrica predefinite. Per modificare la modalità di illuminazione, premere l'interruttore della modalità di illuminazione mostrato nella Fig. 2 di seguito.

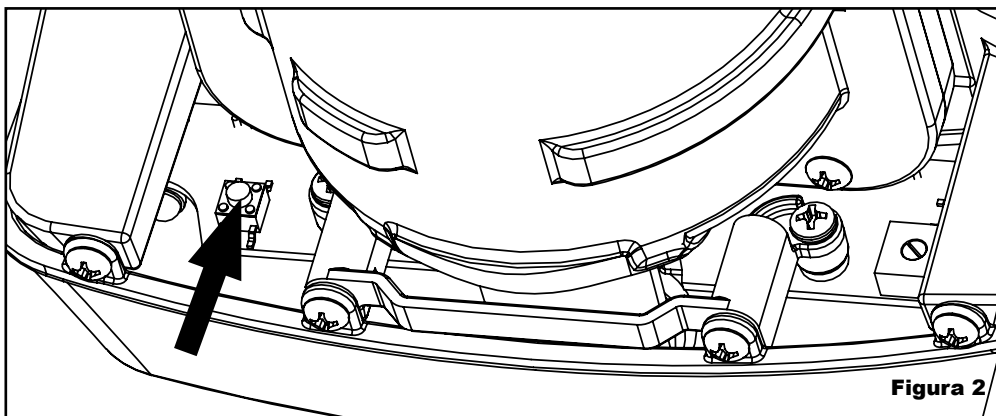
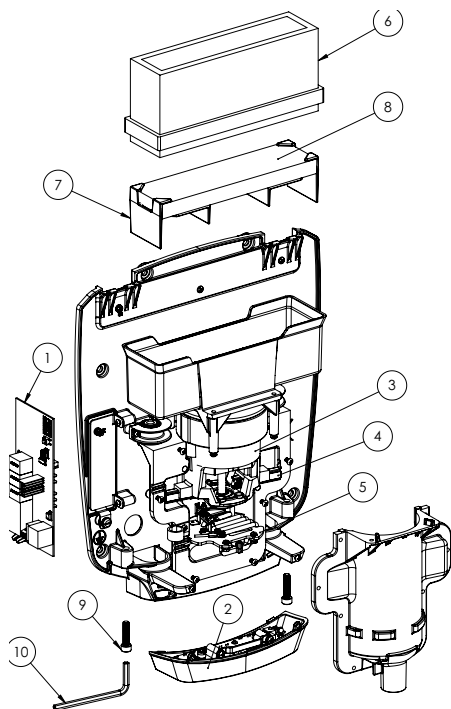


Figura 2

## Elenco delle Parti di Ricambio



Per parti necessarie per eventuali riparazioni, visitare il sito [www.WorldDryer.com](http://www.WorldDryer.com)

Indicare le seguenti informazioni:

- N. di modello
- N. di serie
- Descrizione della parte e numero riportato nell'elenco parti

#	Descrizione	N. di parte
1	Corredo, Controller Principale di Asciugatrice	16-10489K
2	Corredo, Sensore IR con Luci di Accento	49-10505K
3	Corredo, Motore	32-10268K
4	Corredo, Spazzole Motore di Ricambio	32-10337K
5	Corredo, Elemento Riscaldante	21-10306K
6	Filtro, HEPA	93-10490K
7	Accessorio - Filtro a maglia grossa con staffa	93-10506K
8	Filtro, particolato grosso (per essiccatori senza filtro HEPA)	93-10496
9	Corredo, Viti di Sicurezza (include chiave inglese)	46-040221K
10	Chiave Inglese, a Prova di Manomissione	56-40189

## Istruzioni per la manutenzione e la pulitura

**IMPORTANTE:** nell'asciugamani si possono accumulare filaccia e detriti presenti normalmente nell'aria. L'accumulo eccessivo può danneggiare il motore e la resistenza. Si deve pulire l'asciugamani a intervalli regolari per garantirne il corretto funzionamento. In ambienti con utilizzo da leggero a moderato, sarà sufficiente una pulitura annuale. In ambienti con utilizzo più frequente, si consiglia una pulitura ogni 6 mesi.

Per pulire l'asciugamani:

1. Scollegare la fonte di alimentazione.
2. Utilizzare la chiave esagonale di sicurezza in dotazione per girare le viti di montaggio **in senso orario** per rimuovere la copertura dall'asciugamani.
3. Usare un pennello con setole morbide per pulire filaccia, polvere e detriti dalle fessure di ingresso dell'aria e dall'esterno del motore.
4. Al termine, rimontare la copertura dell'asciugamani avvalendosi della chiave esagonale di sicurezza in dotazione per ruotare le viti di montaggio **in senso antiorario** e serrare fin quando risultano sicure. Non serrare in eccedenza.

### Sostituzione del filtro HEPA

I filtri ad assorbimento di particelle ad alta efficienza (HEPA) rimuovono almeno il 99,97% dei contaminanti con una dimensione di 0,3 micron o più.

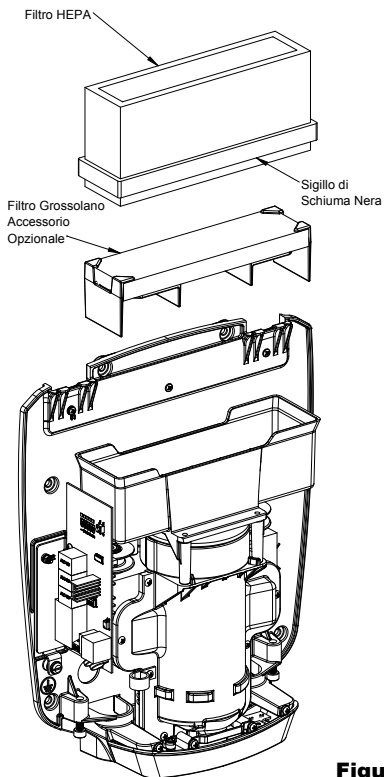
La durata del filtro HEPA dipende dall'ambiente in cui viene installato l'asciugamani e dalla frequenza di utilizzo. Il filtro HEPA dovrà essere ispezionato e sostituito più spesso in caso di utilizzo frequente o in bagni con traffico elevato. In ambienti con quantità notevoli di polvere o detriti o in bagno con traffico elevato, si consiglia di ispezionare il filtro HEPA ogni mese. Se l'ispezione a vista del filtro HEPA mostra un accumulo eccessivo di filaccia, polvere e detriti, sostituire il filtro.

Per mantenere efficienti gli asciugamani, è importante esaminare e sostituire il filtro HEPA a intervalli regolari. L'unità può danneggiarsi se viene usata con un filtro troppo sporco o intasato.

Il filtro HEPA non può essere pulito e riutilizzato. Non pulire il filtro HEPA ed evitare che venga in contatto con l'acqua.

Per ispezionare o sostituire il filtro HEPA:

1. Scollegare la fonte di alimentazione.
2. Utilizzare la chiave esagonale di sicurezza in dotazione per girare le viti di montaggio **in senso orario** per rimuovere la copertura dall'asciugamani.
3. La rimozione e la sostituzione del filtro HEPA si esegue facilmente sollevando il filtro verso l'alto dall'alloggiamento del filtro. Quando si sostituisce il filtro, assicurarsi che la guarnizione esterna nera del filtro sia inserita all'interno dell'alloggiamento del filtro.
4. Dopo aver sostituito il filtro HEPA, rimontare la copertura dell'asciugamani avvalendosi della chiave esagonale di sicurezza in dotazione per ruotare le viti di montaggio **in senso antiorario** e serrare fin quando risultano sicure. Non serrare in eccedenza.
5. Collegare nuovamente la fonte di alimentazione.



**Figura 3**

## Filtro particelle grossolane

Il filtro per particelle grossolane impedisce l'accumulo di lanugine e detriti che possono danneggiare il motore elettrico e l'elemento riscaldante. La pulizia o la sostituzione del filtro dell'aria a intervalli regolari è necessaria per mantenere l'asciugamani in buone condizioni di funzionamento. In ambienti con utilizzo da leggero a moderato, si consiglia di pulire o sostituire il filtro dell'aria una volta all'anno. In condizioni di forte utilizzo, pulire o sostituire il filtro dell'aria ogni sei mesi.

Per pulire o sostituire il filtro per particelle grossolane:

1. Scollegare la fonte di alimentazione.
2. Utilizzare la chiave esagonale di sicurezza in dotazione per girare le viti di montaggio in senso orario per rimuovere la copertura dall'asciugamani.
3. La rimozione e la sostituzione del filtro dell'aria si esegue facilmente sollevando il filtro e il supporto su e fuori dall'alloggiamento. Rimuovere il filtro dal supporto per sostituirlo o pulirlo.
4. Usare un pennello semi-morbido da 1,3 cm per eliminare dal filtro filaccia, polvere e detriti. Se non si riesce a pulire completamente il filtro, sostituirlo.
5. Rimontare la copertura dell'asciugamani avvalendosi della chiave esagonale di sicurezza in dotazione per ruotare le viti di montaggio in senso antiorario e serrare fin quando risultano sicure. Non serrare in eccedenza.
6. Collegare nuovamente la fonte di alimentazione.

## Visualizzazione dei LED di diagnostica

La scheda include una serie di LED che indicano lo stato dell'asciugamani. Se si contatta il servizio di assistenza tecnica di World Dryer, potrebbe essere necessario rimuovere la copertura dell'asciugamani per fornire lo stato dei LED, utile per risolvere i problemi. Per la posizione dei LED sulla scheda, vedere la Figura 1. Per una spiegazione della funzione dei LED, vedere la Tabella 4.

## Funzioni dei LED di diagnostica

**Tabella 4**

Errore	Sensore IR	Velocità	Tensione di Alimentazione		Indicatore
			LED 2	LED 1	
LED 5	LED 4	LED 3			
Lampeggiante					Tensione al di fuori dell'intervallo normale
			ACCESO	ACCESO	La tensione di alimentazione è di 120 V.
			ACCESO	SPENTO	La tensione di alimentazione è di 208 V.
			SPENTO	ACCESO	La tensione di alimentazione è di 240 V.
			SPENTO	SPENTO	La tensione di alimentazione è di 277 V.
		ACCESO			La velocità è media o bassa
		SPENTO			La velocità è alta (norma)
	ACCESO				Sensore IR rileva le mani
	SPENTO				Nessun rilevamento sensore IR



## Fehlersuche

L'asciugamani non si accende.	Alimentazione in ingresso	Verificare che l'interruttore del circuito sia acceso e che il circuito sia attivo.
	Sensore Bloccato	Rimuovere il coperchio dell'essiccatore, controllare se il LED 4 lampeggia sul PCB principale. Se il LED 4 lampeggia on / off, controllare l'obiettivo del sensore per ostruzione o materiale estraneo. Pulire le lente con un panno morbido umido e un detergente delicato.  Controllare e rimuovere qualsiasi oggetto o superficie riflettente più vicino di 18 pollici (46 cm) sotto l'asciugatrice.
	PCB Difettoso	Se nessun LED è acceso sul PCB principale, premere il pulsante di controllo della velocità sul PCB principale. Se il LED 3 non si attiva dopo aver premuto il pulsante, sostituire la scheda principale.
	Sensore Difettoso	Se l'alimentazione e il PCB principale sono confermati attivi e il LED 4 non si accende quando mani sono posizionate sotto l'asciugatrice, sostituire il sensore IR.
	Spazzole del motore al termine della vita utile	Controllare le spazzole del motore e se necessario sostituirle.
	Elemento riscaldante difettoso ( <b>Importante:</b> solo se l'unità è collegata a una tensione di alimentazione da 208 – 277 V.)	Se l'asciugamani è collegato a 208 – 277 V, e sono stati controllati l'alimentazione elettrica e tutte le altre cause possibili, sostituire l'elemento riscaldante.
Asciugamani troppo rumoroso	Impostazione velocità asciugamani	Regola la velocità della soffiante a una velocità inferiore. Vedere pagina 36. Quando si opera a velocità MED o BASSA, il LED 3 si accende.
La temperatura dell'aria è troppo bassa. Il calore dell'asciugamani è intermittente o si accende e si spegne durante un ciclo di asciugatura. La velocità dell'asciugamani varia durante un ciclo di asciugatura.	Elemento riscaldante difettoso ( <b>Importante:</b> solo se l'unità è collegata a una tensione di alimentazione da 120V.)	Sostituire l'elemento riscaldante.
L'asciugamani si attiva per pochi secondi, quindi si spegne. L'asciugamani non si attiva ogni volta.	Spazzole del motore al termine della vita utile	Controllare le spazzole del motore e se necessario sostituirle.
	Elemento riscaldante difettoso ( <b>Importante:</b> solo se l'unità è collegata a una tensione di alimentazione da 208 – 277 V.)	Sostituire l'elemento riscaldante.

## Garantie limitée

**GARANZIA WORLD LIMITATA DI DIECE ANNI.** I modelli di asciugamani elettrici World illustrati in questo manuale vengono garantiti dalla World Dryer Corporation all'utente originale privi da difetti di manodopera o materiale in condizioni di utilizzo regolare per 10 anni dalla data dell'acquisto, eccetto motore (7 anni) e sensore (7 anni). Questa garanzia esclude la normale usura e le parti consumabili come i filtri HEPA, le spazzole del motore e l'illuminazione d'accento. Qualsiasi parte considerata difettosa per materiale o manodopera e restituita ad un centro per riparazioni autorizzato, designato da World, con costi di spedizione pre-pagati, verrà, come esclusivo rimedio, riparata o sostituita a discrezione della World. Per le procedure di reclamo coperte dalla garanzia limitata, consultare la sezione INTERVENTO IMMEDIATO di cui sotto. Questa garanzia limitata offre agli acquirenti diritti specifici che variano da una giurisdizione all'altra.

**LIMITAZIONE DI RESPONSABILITÀ.** Nella misura in cui contemplato dalle leggi vigenti, la responsabilità World in caso di danni indiretti o fortuiti viene espressamente rifiutata. In tutti i casi la responsabilità della World è limitata al prezzo pagato per l'acquisto e non lo supererà.

**ESCLUSIONE GARANZIA.** World si è impegnata ad offrire informazioni sul prodotto e ad illustrare con cura i prodotti contenuti in questa documentazione; tuttavia, tali informazioni e illustrazioni sono a solo scopo di identificazione e non indicano o implicano espressamente garanzia che i prodotti sono COMMERCIALI O IDONEI PER UNO SCOPO PARTICOLARE, o che i prodotti saranno necessariamente conformi alle illustrazioni o descrizioni. Fatta eccezione per quanto descritto di seguito, nessuna garanzia o affermazione, espressa o implicita, se non quella indicata nella "GARANZIA LIMITATA" di cui sopra, viene effettuata o autorizzata da World. uisto e non lo supererà.

**IDONEITÀ DEL PRODOTTO.** In molte giurisdizioni sono in vigore norme e regolamenti che governano vendite, costruzione, installazione e/o utilizzo dei prodotti per scopi specifici, che possono variare da quelli in aree adiacenti. Sebbene World tenti di garantire che i prodotti siano conformi a tali norme, non può garantire la conformità e non potrà essere ritenuta responsabile dell'installazione o dell'utilizzo dei prodotti stessi. Prima di acquistare e utilizzare un prodotto, verificarne l'applicazione, unitamente a tutte le norme ed i regolamenti di pertinenza e vigenti a livello nazionale e locale, accertandosi che il prodotto, l'installazione e l'utilizzo siano conformi a quanto previsto.

Taluni aspetti delle dichiarazioni non riguardano i prodotti per consumatori; ad esempio, (a) alcune giurisdizioni non consentono l'esclusione o la limitazione di danni incidentali o conseguenti, quindi la limitazione o esclusione di cui sopra potrebbe non essere applicabile; (b) inoltre, alcune giurisdizioni non consentono di limitare la durata di una garanzia implicita e di conseguenza la limitazione di cui sopra potrebbe non essere applicabile; infine (c) secondo le leggi vigenti durante il periodo di questa Garanzia Limitata e delle garanzie implicite di commerciabilità o idoneità implicita per uno scopo particolare riguardanti prodotti per consumatori acquistati da consumatori, potrebbero non essere escluse o altresì rifiutate.

Fabbricato da World Dryer Corporation, Bensenville, Illinois 60106 U.S.A.

**INTERVENTO IMMEDIATO.** World si impegna ad apportare correzioni immediate o altre modifiche ritenute necessarie per qualsiasi prodotto ritenuto difettoso durante il periodo della Garanzia Limitata. Per qualsiasi prodotto ritenuto difettoso durante il periodo della Garanzia Limitata, informare dapprima (per iscritto o per telefono) il concessionario presso cui si è effettuato l'acquisto. Il concessionario fornirà istruzioni in merito. Qualora non si sia soddisfatti del rimedio proposto, rivolgersi per iscritto a World all'indirizzo di cui sotto, indicando il nome del concessionario, l'indirizzo, la data ed il numero della fattura emessa dal concessionario, descrivendo infine la natura del difetto. Titolo e rischio di perdita passano all'acquirente alla consegna allo spedizioniere. Qualora il prodotto riporti danni durante il transito all'acquirente, esporre reclamo al trasportatore.

الطراز	النوع	القياسات الكهربائية	شهادات الاعتماد
Q-XXXXA2	أوتوماتيكي	115/230 فولت تيار متردد 950 واط 50/60 هرتز 277 فولت تيار متردد 1150 واط 50/60 هرتز	ETL CE IP24

### معلومات السلامة العامة

#### ⚠️ خطر

يمكن أن يؤدي عدم فصل مصدر الطاقة قبل التركيب أو الصيانة إلى حدوث إصابة خطيرة أو وفاة بسبب الصدمة الكهربائية. قم دائماً بفصل مصدر الطاقة قبل صيانة المجفف أو تركيبه.

قد يؤدي عدم تأريض المجفف بشكل صحيح إلى حدوث صدمة كهربائية حادة و/أو وفاة. يجب تأريض هذا المجفف بشكل صحيح لضمان التشغيل الآمن. يتم توفير نقطة اتصال أرضية محددة على المجفف.

#### ⚠️ تحذير

يمكن التعرض لخطر الحريق أو الإصابة الشخصية أو إلحاق الضرر بالممتلكات إذا لم يتم اتباع القوانين أو توصيات السلامة المحلية. يجب تركيب هذا المجفف وفقاً للمعايير الكهربائية المحلية الحالية مثل NEC (المواصفات القياسية الكهربائية الأمريكية) أو CEC (المعايير الكهربائية الكندية).

مجفف اليدين هذا غير مخصص للاستخدام من قِبل الأطفال الصغار أو الأشخاص الذين يعانون من إعاقت جسدية أو حسية أو عقلية ما لم يتم الإشراف عليهم على نحو ملائم من قِبل شخص مسؤول لضمان قدرتهم على استخدام مجفف اليدين بأمان. يجب الإشراف على الأطفال الصغار لضمان عدم العبث بمجفف اليدين. استخدم هذا المجفف للغرض المخصص له فقط. لا تستخدمه كمجفف شعر.

يجب أن يتم التركيب والصيانة من قِبل فني كهرباء مؤهلين فقط.

استخدم فقط الجهد الكهربائي والتردد بما يتفق مع ملصق قياسات المجفف. قم بتوصيل مجفف اليدين بلوحة توزيع كهربائية مناسبة مع توفير وسائل للفصل تتوافق مع المعايير المحلية لتوصيل الأسلاك وتكون القياسات الكهربائية الخاصة بها أكبر مما هو موضح على ملصق قياسات المجفف. استخدم سلكاً رقم 14 وفقاً لمعيار السلك الأمريكي (AWG) المكافئ لـ (2.08مم) أو سلكاً أكبر. لا تقم بتوصيله بالدائرة التي تمد الإضاءة أو الأجهزة الأخرى بالطاقة. يجب أن يكون المجفف موصلاً بدائرة مستقلة. يجب عدم تزويد دائرة الإمداد بالطاقة من خلال جهاز تحويل خارجي، مثل مؤقت، أو توصيلها بدائرة يتم تشغيلها وإيقافها بانتظام بواسطة المرفق. استخدم التجهيزات ذات الأسطح الدائرية الملساء لحماية كابلات الإمداد بالطاقة. قم بتوجيه جميع الأسلاك الميدانية بعيداً عن الأجزاء المتحركة داخل المجفف.

⚠️ تحذير خطر السرطان والأضرار التناسلية - [www.p65warnings.ca.gov](http://www.p65warnings.ca.gov)

#### ⚠️ تحذير

قد يؤدي التثبيت بشكل غير صحيح إلى حدوث إصابات شخصية أو إلحاق الضرر بالممتلكات. اتبع توصيات ارتفاع التثبيت الواردة في الجدول 2. على جدار مزود بدعائم، ينبغي تثبيت جانب واحد من مجفف اليدين على إحدى الدعائم الموجودة.

## إزالة التغليف

قم بإخراج جميع العناصر من صندوق الشحن. يجب أن تشمل العناصر المغلفة مجفف اليدين ودليل المالك ونموذج التثبيت ومفتاح الربط المقاوم للعبث. راجع العناصر وأبلغ في حالة وجود عناصر مفقودة أو تالفة.

## التركيب

1. أفضل مصدر الطاقة في لوحة التوزيع الكهربائية.
2. حدد ارتفاع التثبيت الموصى به للنوع/العمر (الجدول 2). حدد موقع التثبيت في مكان لا يحتوي على أسطح عاكسة (سطح منضدة أو حوض غسيل) على مسافة أقل من 18 بوصة (46 سم) أسفل المجفف. تجنب التثبيت في مكان قد يتعرض فيه المجفف للضوء الطبيعي (ضوء الشمس) مباشرة. عند التركيب بجوار مجفف موجود بالفعل، ينبغي ترك مسافة بين المجففين لا تقل عن 24 بوصة (61 سم).
3. حدد منفذ التوصيلات الكهربائية عبر الجزء الخلفي أو السفلي من لوحة تثبيت المجفف بحيث يتطابق مع منفذ أسلاك الإمداد.
4. باستخدام نموذج التثبيت المزود، ضع علامات على مواقع ثقب مسامير التثبيت على الجدار. بالنسبة للجدران المزودة بدعائم، تأكد من تثبيت موقع ربط واحد على الأقل بإحدى الدعائم.
5. استخدم مفتاح الربط المقاوم للعبث المرفق لفك براغي تثبيت الغطاء (قم بتدوير البراغي باتجاه عقارب الساعة) لإزالة الغطاء من المجفف.
6. ثبت القاعدة بالجدار باستخدام نوع المسامير الموصى بها (الجدول 3).
7. قم بتوصيل المجفف بأسلاك الإمداد.
8. أعد وضع الغطاء، واحكم ربط براغي تثبيت الغطاء (قم بتدوير البراغي عكس اتجاه عقارب الساعة) مع الحرص على عدم المبالغة في الربط.
9. قم بتوصيل مصدر الطاقة بلوحة التوزيع الكهربائية.

## الجدول 2

ارتفاعات التثبيت الموصى بها من الأرضية إلى الحافة السفلية للمجفف	بوصة (سم)
دورات مياه الرجال	46 (117)
دورات مياه السيدات	44 (112)
دورات مياه الأطفال، الذين تتراوح أعمارهم بين 4 و 7 أعوام	32 (81)
دورات مياه الأطفال، الذين تتراوح أعمارهم بين 7 و 10 أعوام	36 (91)
دورات مياه الأطفال، الذين تتراوح أعمارهم بين 10 أعوام و 13 عامًا	40 (102)
دورات مياه الأطفال، الذين تتراوح أعمارهم بين 13 عامًا و 17 عامًا	44 (112)
ارتفاع التثبيت الخاص بذوي الإعاقات	37 (94)

## الجدول 3

نوع الجدار	نوع المسامير
بلاط مجوف أو شرائح خشبية أو ألواح جدارية أو معدن	مسامير عروة من النوع المنح أو البرغي رقم 10 (بقطر 5 مم)
إسمنت أو طوب أو إسمنت أو طوب مغطى بالبلاط	ركائز تثبيت بلاستيكية مفلجة رقم 10 (بقطر 5 مم) للحجر أو الطوب
جدار مزود بدعائم	براغي خشبية رقم 12 (بقطر 5.5 مم)

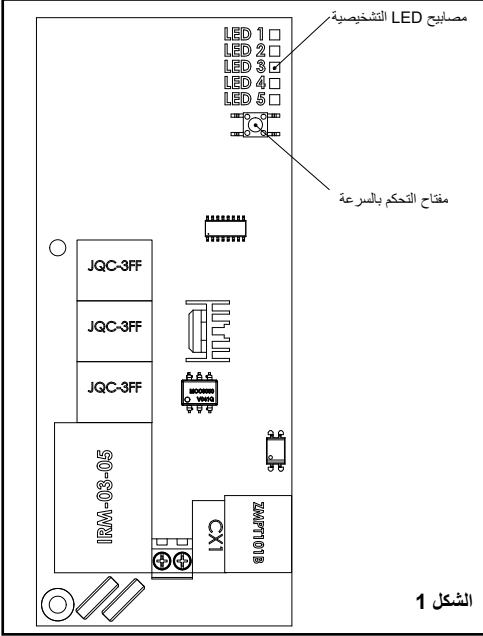
## ضبط سرعة المروحة

توفر هذه الطرز التحكم في سرعة المروحة القابلة للضبط على (3) مستويات تشغيل – مرتفعة (Hi) ومتوسطة (Med) ومنخفضة (Low). يوجد المفتاح على لوحة الدائرة المطبوعة داخل المجفف كما هو موضح في الشكل 1 أدناه.

**ملاحظة: إعداد المصنع للتحكم في سرعة المروحة هو "Hi" (مرتفعة).**

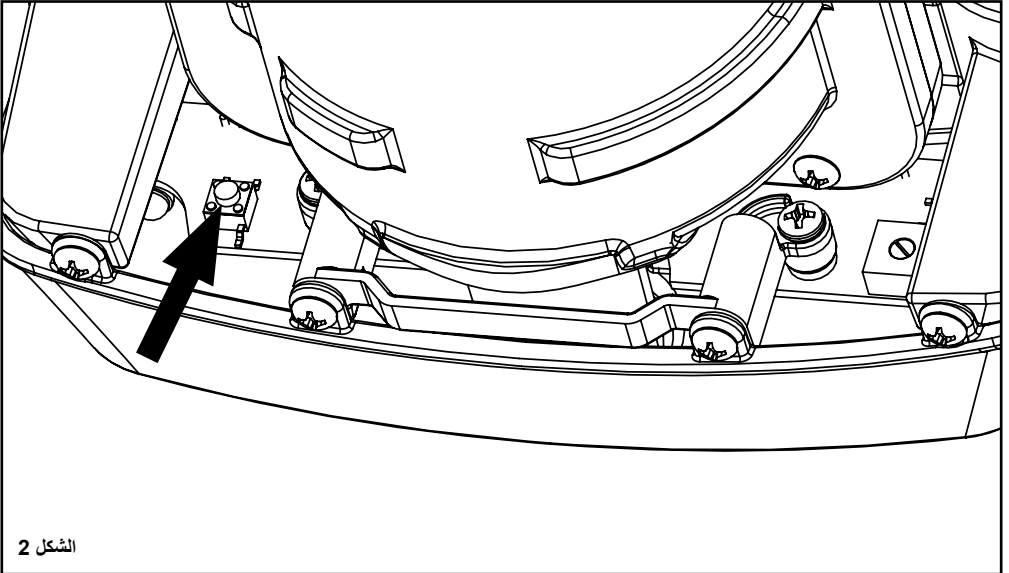
لضبط سرعة المروحة:

1. أفضل مصدر الطاقة.
2. استخدم مفتاح الأمان السداسي المرفق لتدوير براغي تثبيت الغطاء في اتجاه عقارب الساعة لإزالة الغطاء من المجفف.
3. حدد موضع المفتاح على لوحة الدائرة المطبوعة داخل المجفف كما هو موضح في الشكل 1 أدناه، واضبط سرعة المروحة حسب الرغبة. (ملاحظة: عند تحديد السرعة المتوسطة أو المنخفضة، ستتم إضاءة المصباح 3 LED على لوحة الدائرة المطبوعة). أعد تجميع غطاء المجفف باستخدام مفتاح الأمان السداسي المرفق لتدوير براغي تثبيت الغطاء عكس اتجاه عقارب الساعة وأحكام ربطها تمامًا. لا تُفَرط في إحكام الربط.
4. أعد توصيل مصدر الطاقة.

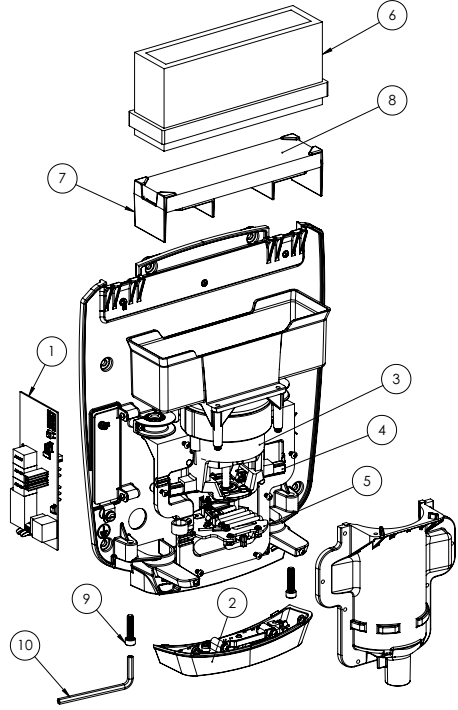


## الإضاءة الموجهة

يمكن ضبط إضاءة المجفف الموجهة لتعمل بشكل مستمر أو فقط عند تفعيل المجفف لتجفيف اليدين (إعداد المصنع الافتراضي). تتم معظم عمليات التشغيل الموفرة للطاقة مع إعداد المصنع الافتراضي. لتغيير وضع الإضاءة، اضغط على مفتاح وضع الإضاءة الموضح في الشكل 2 أدناه.



للحصول على قطع التصليح، قم بزيارة الموقع  
[www.WorldDryer.com](http://www.WorldDryer.com)  
 يُرجى تقديم المعلومات التالية:  
 • رقم الطراز  
 • الرقم التسلسلي  
 • وصف القطعة والرقم الموضح في قائمة القطع



رقم القطعة	الوصف	#
16-10489K	مجموعة أدوات، عناصر التحكم الرئيسية في المجفف	1
49-10505K	مجموعة أدوات، مستشعر الأشعة تحت الحمراء (IR) المزود بإضاءة موجهة	2
32-10268K	مجموعة أدوات، المحرك	3
32-10337K	مجموعة أدوات، فرش المحرك البديلة	4
21-10306K	مجموعة أدوات، عنصر التسخين	5
93-10490K	مرشح، مرشح امتصاص الجسيمات عالي الكفاءة (HEPA)	6
93-10506K	ملحقات - مرشح الجسيمات الخشنة مزود بكتيافة	7
93-10496	مرشح، مرشح الجسيمات الخشنة (للمجففات غير المزودة بمرشح HEPA)	8
46-040221K	مجموعة أدوات، براغي الأمان (تتضمن مفتاح الربط)	9
56-40189	مفتاح الربط، الأمان	10

مهم: يمكن أن يجمع المجفف الوبر والمخلفات الموجودة في الهواء بشكل طبيعي. قد يؤدي تراكم الوبر والمخلفات بصورة مفرطة إلى تلف المحرك وعصر التسخين. ينبغي تنظيف المجفف وفق جدول زمني روتيني للحفاظ على المجفف في حالة تشغيل جيدة في حالة دورات المياه ذات معدل الاستخدام المتوسط إلى الخفيف، يوصى بالتنظيف مرة واحدة في السنة. إذا كانت دورات المياه ذات معدل الاستخدام المرتفع، يوصى بالتنظيف كل 6 أشهر.

لتنظيف مجفف اليدين:

1. افصل مصدر الطاقة.
2. استخدم مفتاح الأمان السداسي المرفق لتدوير براغي تثبيت الغطاء في اتجاه عقارب الساعة لإزالة الغطاء من المجفف.
3. استخدم فرشاة طلاء ذات شعر لين-متوسط لتنظيف الوبر والغبار والمخلفات من فتحات دخول الهواء والجزء الخارجي للمحرك.
4. بعد التنظيف، أعد تجميع غطاء المجفف باستخدام مفتاح الأمان السداسي المرفق لتدوير براغي تثبيت الغطاء عكس اتجاه عقارب الساعة وأحكام ربطها تمامًا. لا تُفرط في إحكام الربط.

### استبدال مرشح HEPA

تزيل مرشحات امتصاص الجسيمات عالية الكفاءة (HEPA) ما لا يقل عن 99.97% من الملوثات بحجم 0.3 ميكرون أو أكبر.

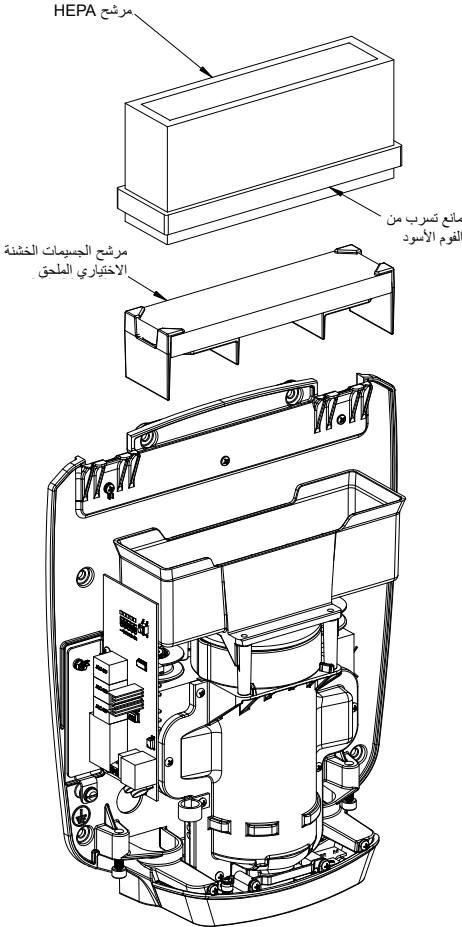
تعتمد مدة خدمة مرشح HEPA على البيئة التي يتم فيها تركيب المجفف ومعدل استخدامه. سوف تتطلب دورات المياه ذات معدلات الاستخدام المرتفعة أو التي يتم استخدامها باستمرار فحص مرشح HEPA واستبداله بشكل أكثر تكرارًا. عندما يُظهر الفحص البصري لمرشح HEPA تراكمًا زائدًا للوبر والغبار والمخلفات، ينبغي استبدال المرشح.

يؤدي فحص وتغيير مرشح HEPA بانتظام إلى الحفاظ على عمل مجففات اليدين بكفاءة. يمكن أن يؤدي تشغيل مجفف اليدين بينما يكون مرشح متسخًا للغاية أو مسدودًا إلى تلف جهازك.

لا يمكن تنظيف مرشح HEPA وإعادة استخدامه. لا تنظف مرشح HEPA أو تسمح بلامسته للماء.

لفحص مرشح HEPA أو استبداله:

1. افصل مصدر الطاقة.
2. استخدم مفتاح الأمان السداسي المرفق لتدوير براغي تثبيت الغطاء في اتجاه عقارب الساعة لإزالة الغطاء من المجفف.
3. تتم إزالة مرشح HEPA واستبداله بسهولة عن طريق إزلاق المرشح في مسار التثبيت الخاص به على غطاء المحرك.
4. بعد استبدال مرشح HEPA، أعد تجميع غطاء المجفف باستخدام مفتاح الأمان السداسي المرفق لتدوير براغي تثبيت الغطاء عكس اتجاه عقارب الساعة وأحكام ربطها تمامًا. لا تُفرط في إحكام الربط.
5. أعد توصيل مصدر الطاقة.



الشكل 3

## مرشح الجسيمات الخشنة

يمنع مرشح الجسيمات الخشنة الاختياري الملحق تراكم الوبر والمخلفات التي يمكن أن تتلف المحرك وعنصر التسخين. يلزم استبدال أو تنظيف مرشح الهواء بشكل روتيني للحفاظ على المجفف في حالة تشغيل جيدة. في حالة دورات المياه ذات معدل الاستخدام المتوسط إلى الخفيف، يوصى باستبدال مرشح الهواء أو تنظيفه مرة واحدة في السنة. إذا كان معدل استخدام دورة المياه مرتفعاً، ينبغي استبدال مرشح الهواء أو تنظيفه كل 6 أشهر.

لاستبدال مرشح الجسيمات الخشنة أو تنظيفه:

1. أفضل مصدر الطاقة.
2. استخدم مفتاح الأمان السداسي المرفق لتدوير براغي تثبيت الغطاء في اتجاه عقارب الساعة لإزالة الغطاء من المجفف.
3. تتم إزالة مرشح الهواء واستبداله بسهولة عن طريق رفع كتيفة تثبيت المرشح لأعلى خارج مبيت المرشح. ينبغي إزالة مرشح الجسيمات الخشنة من كتيفة التثبيت ليتم تنظيفه أو استبداله.
4. استخدم فرشاة طلاء ذات شعر لين-متوسط بحجم ½ بوصة لتنظيف الوبر والغبار والمخلفات من المرشح. إذا تعذر إزالة المخلفات من مرشح الهواء بالكامل، فاستبدل المرشح.
5. أعد تجميع غطاء المجفف باستخدام مفتاح الأمان السداسي المرفق لتدوير براغي تثبيت الغطاء عكس اتجاه عقارب الساعة وأحكام ربطها تماماً. لا تُفرط في إحكام الربط.
6. أعد توصيل مصدر الطاقة.

## شاشة مصابيح LED التشخيصية

تحتوي لوحة الدائرة المطبوعة على مجموعة من مصابيح LED التي تشير إلى حالة تشغيل مجفف اليدين. عند الاتصال بالخدمة الفنية الخاصة بشركة World Dryer، كن مستعداً لإزالة غطاء المجفف ووصف حالة مصابيح LED لأن ذلك قد يكون مفيداً في استكشاف أعطال المجفف وتصليحها. انظر الشكل 1 للاطلاع على موقع مصابيح LED التشخيصية على لوحة الدائرة المطبوعة. انظر الجدول 4 للاطلاع على توضيح لوظيفة مصابيح LED.

## وظيفة مصابيح LED التشخيصية

الجدول 4

الدالة	مصدر الإمداد بالطاقة		إعداد السرعة	مستشعر الأشعة تحت الحمراء	خطأ
	LED 1	LED 2			
الجهد خارج النطاق الطبيعي					مومض
جهد الإمداد المكتشف هو 120 فولت	تشغيل	تشغيل			
جهد الإمداد المكتشف هو 208 فولت	إيقاف التشغيل	تشغيل			
جهد الإمداد المكتشف هو 240 فولت	تشغيل	إيقاف التشغيل			
جهد الإمداد المكتشف هو 277 فولت	إيقاف التشغيل	إيقاف التشغيل			
سرعة المروحة مضبوطة عند المستوى المتوسط (Med) أو المنخفض (Low)			تشغيل		
سرعة المنفاخ مضبوطة عند المستوى المرتفع (Hi) (افتراضي)				إيقاف التشغيل	
مستشعر الأشعة تحت الحمراء يكتشف وجود أيدي				تشغيل	
مستشعر الأشعة تحت الحمراء لم يكتشف شيئاً				إيقاف التشغيل	



تأكد من تشغيل قاطع الدائرة ومن أن الدائرة نشطة	مصدر الإمداد بالطاقة الواردة	
قم بإزالة غطاء المجفف، وتحقق مما إذا كان مصباح LED 4 يومض على لوحة الدائرة المطبوعة (PCB) الرئيسية. إذا كان مصباح LED 4 يومض/ينطفئ، فافحص عدسة المستشعر بحثاً عن وجود انسداد أو مادة غريبة. نظف العدسة بقطعة قماش ناعمة رطبة وعامل تنظيف خفيف. تحقق من وجود أي جسم أو سطح عاكس على مسافة أقل من 18 بوصة (46 سم) أسفل المجفف وقم بإزالته.	المستشعر مغلق	
إذا لم تكن مصابيح LED مضاءة على لوحة الدائرة المطبوعة الرئيسية، فاضغط على زر التحكم في السرعة الموجود على لوحة الدائرة المطبوعة الرئيسية. إذا لم يتم تفعيل المصباح LED 3 بعد الضغط على الزر، فاستبدل لوحة الدائرة المطبوعة الرئيسية.	لوحة الدائرة المطبوعة معيبة	فشل المجفف في بدء التشغيل.
إذا تم التأكد من تفعيل مصدر الإمداد بالطاقة ولوحة الدائرة المطبوعة الرئيسية، ولم يضيء المصباح LED 4 عند وضع اليدين أسفل المجفف، فاستبدل مستشعر الأشعة تحت الحمراء.	المستشعر معيب	
افحص فرش المحرك واستبدالها إذا لزم الأمر.	فرش المحرك في نهاية عمر الخدمة	
إذا تم توصيل المجفف بمصدر إمداد بالطاقة يبلغ بين 208 – 277 فولت وقد تم فحص جميع الأسباب المحتملة، فاستبدل عنصر التسخين.	عنصر التسخين معيب (مهم: لا ينطبق إلا عند توصيله بمصدر إمداد بالطاقة يبلغ بين 208 – 277 فولت)	
اضبط سرعة المروحة على "منخفضة". انظر الصفحة 4. عند التشغيل على سرعة متوسطة أو منخفضة، ستتم إضاءة المصباح LED 3.	اضبط إعداد سرعة المجفف	صوت المجفف عالٍ جداً.
استبدل عنصر التسخين.	عنصر التسخين معيب (مهم: لا ينطبق إلا عند توصيله بمصدر إمداد بالطاقة يبلغ 120 فولت فقط)	لا توجد حرارة. تتذبذب حرارة المجفف/تتغير بين "تشغيل" و"إيقاف" أثناء دورة التجفيف. تتذبذب سرعة المجفف صعوداً وهبوطاً أثناء دورة التجفيف.
افحص فرش المحرك واستبدالها إذا لزم الأمر.	فرش المحرك في نهاية عمر الخدمة	
استبدل عنصر التسخين.	عنصر التسخين معيب (مهم: لا ينطبق إلا عند توصيله بمصدر إمداد بالطاقة يبلغ بين 208 – 277 فولت)	يعمل المجفف ثوانٍ قليلة فقط ثم يتوقف. لا يعمل المجفف في كل مرة.

**ضمان شركة World المحدود لمدة عشر سنوات.** إن مجفف الأيدي World Warm Air Hand Dryer، وهو الطراز الذي يغطيه هذا الدليل، مشمول في ضمان شركة World Dryer للمستخدم الأصلي ضد عيوب التصنيع أو المواد في ظل الاستخدام العادي لمدة 10 سنوات بعد تاريخ الشراء باستثناء المحرك (7 سنوات) والمستشعر (7 سنوات). يستثنى من هذا الضمان حالات البلى والتمزق العاديين والأجزاء القابلة للاستهلاك مثل مرشحات HEPA وفرش المحرك والإضاءة الموجهة. أي جزء ينقرر أنه معيب فيما يتعلق بالمواد أو التصنيع ويُعاد إلى موقع خدمة معتمد، كما هو محدد من قبل World، مع دفع تكاليف الشحن مسبقاً، فسيتم كعلاج حصري، إصلاح هذا الجزء أو استبداله وفقاً لخيار World. للاطلاع على إجراءات المطالبة بالضمان المحدود، انظر التصرف الفوري أدناه. يمنح هذا الضمان المحدود المشتريين حقوقاً محددة من ولاية قضائية إلى ولاية قضائية.

**تحديد المسؤولية.** بقدر ما يسمح به القانون المنطبق، تُخلى مسؤولية شركة World عن الأضرار التبعية والعرضية بشكل صريح. تقتصر مسؤولية شركة World في جميع الأحوال على سعر الشراء المدفوع ولن تتخطاه.

**إخلاء مسؤولية الضمان.** بذلت شركة World جهوداً حثيثة لتوفير معلومات عن المنتجات وتوضيح المنتجات بدقة في هذه المطبوعات؛ ومع ذلك، فإن هذه المعلومات والرسوم التوضيحية هي لغرض وحيد هو التعريف، ولا تضمن بشكل صريح أو ضمناً أن المنتجات قابلة للتسويق أو ملائمة لغرض معين، أو أن المنتجات ستكون بالضرورة مطابقة للرسومات التوضيحية أو الأوصاف. باستثناء ما هو منصوص عليه أدناه، لا يتم تقديم أي ضمان أو الجزم بواقع أو السماح بذلك من قبل شركة World، بشكل صريح أو ضمناً، بخلاف ما هو منصوص عليه في "الضمان المحدود" أعلاه.

**ملاءمة المنتج.** لدى العديد من الولايات القضائية قوانين ولوائح تحكم مبيعات المنتجات و/أو إنشائها و/أو تركيبها و/أو استخدامها لأغراض معينة، وقد تختلف عن تلك الموجودة في المناطق المجاورة. في حين تحاول شركة World التأكد من أن المنتجات تمثل لهذه القوانين، فإنها لا تستطيع ضمان الامتثال، ولا يمكن أن تكون مسؤولة عن كيفية تركيب المنتج أو استخدامه. قبل شراء أحد المنتجات واستخدامه، راجع تطبيق المنتج وجميع القوانين واللوائح الوطنية والمحلية المعمول بها، وتأكد من أن المنتج والتركيب والاستخدام سوف يمثل لها.

لا تنطبق جوانب معينة من إخلاء المسؤولية على المنتجات الاستهلاكية؛ على سبيل المثال، (أ) لا تسمح بعض الولايات القضائية باستثناء أو تحديد الأضرار العرضية أو التبعية، ولذلك فقد لا ينطبق عليك القيد أو الاستثناء المذكور أعلاه؛ (ب) وأيضاً، لا تسمح بعض الولايات القضائية بتحديد مدة استمرار الضمان الضمني، وبالتالي قد لا ينطبق عليك القيد المذكور أعلاه؛ و(ج) بموجب القانون، لا يجوز استبعاد هذا الضمان الضمني أو إخلاء المسؤولية بأي شكل آخر خلال فترة هذا الضمان المحدود، والضمانات الضمنية لقابلية التسويق الضمنية أو الملاءمة لغرض معين المطبقة على المنتجات الاستهلاكية التي تم شراؤها من قبل المستهلكين.

تم التصنيع من قبل شركة World Dryer Corporation, Bensenville, Illinois 60106 U.S.A

**التصرف الفوري.** ستبذل شركة World جهداً حثيماً لضمان النية للتصحيح الفوري أو أي تعديلات أخرى فيما يتعلق بأي منتج يثبت أنه معيب ضمن فترة الضمان المحدود. بالنسبة لأي منتج يُعتقد أنه معيب ضمن فترة الضمان المحدود، فمُ أو لا بمراسلة الموزع الذي تم شراء المنتج منه كتابياً أو الاتصال به. وسيقوم الموزع بإعطاء توجيهات إضافية. إذا لم تتمكن من حل المشكلة على نحو مرضٍ، فراسل شركة World على العنوان أدناه، مع ذكر اسم الموزع وعنوانه وتاريخ ورقم فاتورة الموزع، ووصف طبيعة العيب. تنتقل الملكية وخطر ضياع المنتج إلى المشتري عند التسليم لشركة النقل العامة. إذا تعرض المنتج للتلف أثناء النقل إليك، فقم بتقديم مطالبة بالتعويض مع شركة النقل.

This Page Intentionally Left Blank

